

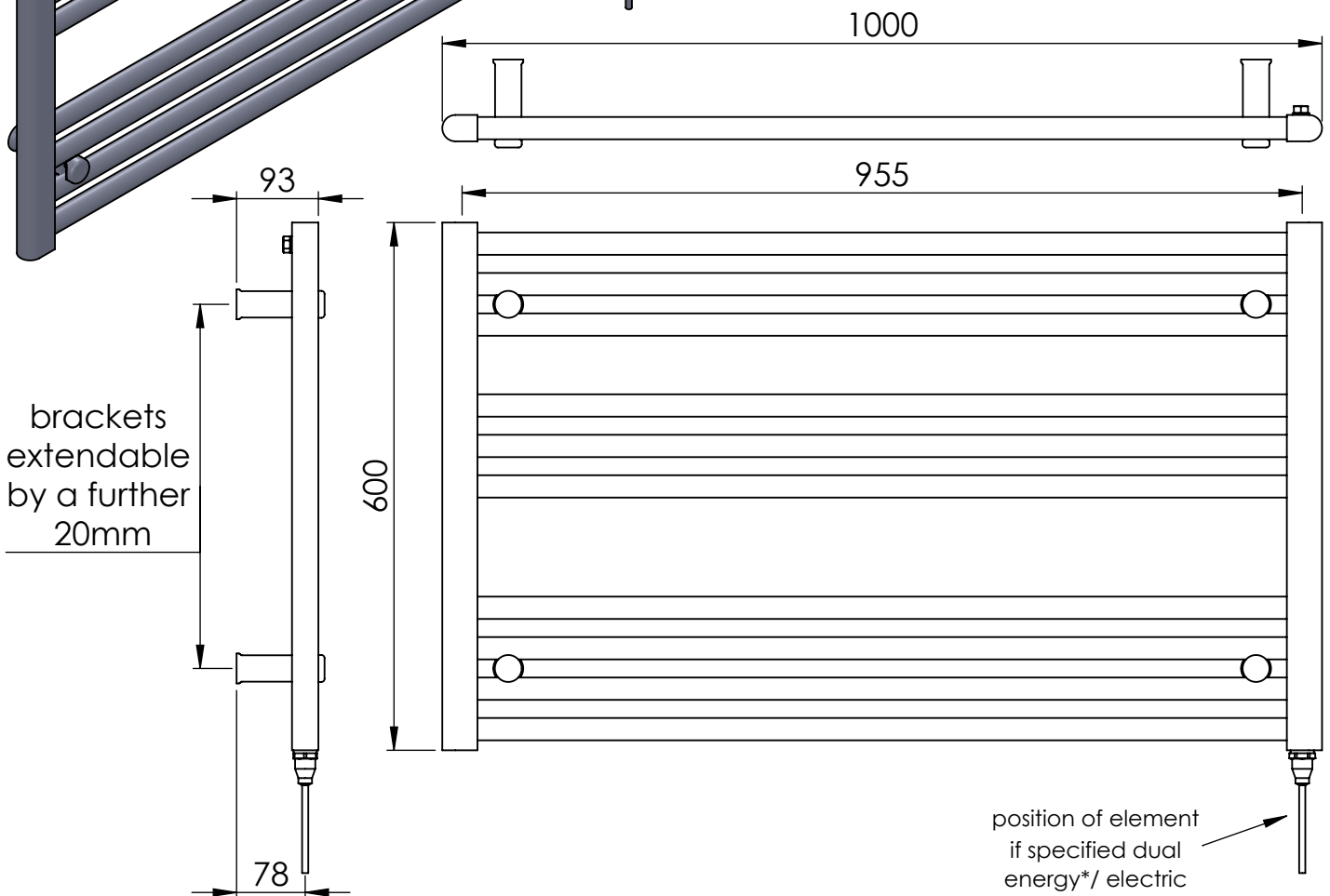
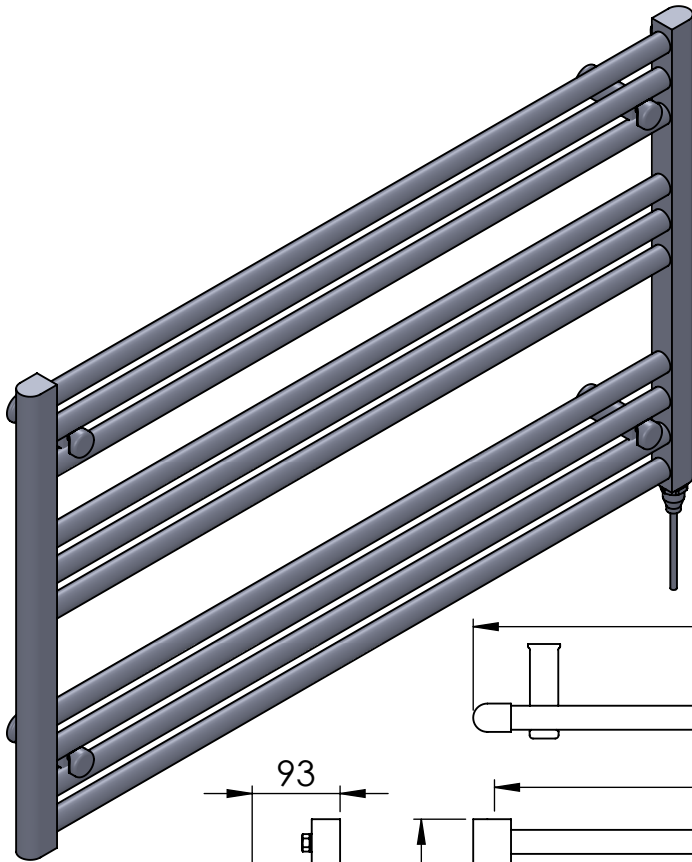
Focus MD001 600x1000

Height: 600
Width: 1000
Depth: 93-113
Weight HO: kg
EO: kg

Tube ϕ : 25 + 30x40 D Section
Pipe Centres : 955
Elec. element if specified: 150
Output @ 50° C Δ T Watts: 288
BTUs: 983

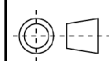
All dimensions in millimetres

Manufactured from Mild Steel



*Dual energy models require a conversion-tee, consult relevant drawing for details.

Vogue UK Ltd. reserve the right to alter specifications without prior notice.
ALL MEASUREMENTS ARE NOMINAL DIMENSIONS ONLY, AND ARE NOT BINDING.



SCALE 1:10



VOGUE UK
TOWEL WARMERS & RADIATORS

Strawberry Lane, Willenhall
West Midlands WV13 3RS
Tel: 01902 387000 Fax: 01902 387001
e-mail:sales@vogueuk.co.uk www.vogueuk.co.uk