

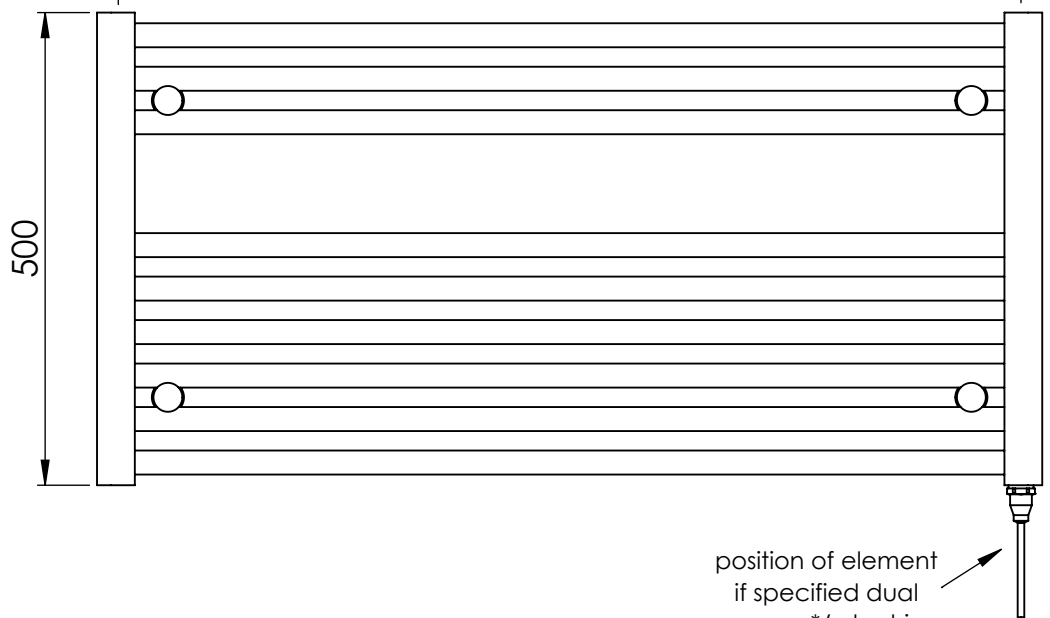
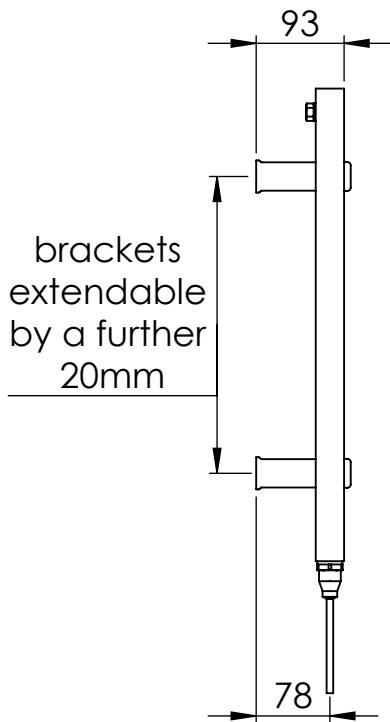
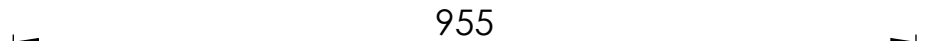
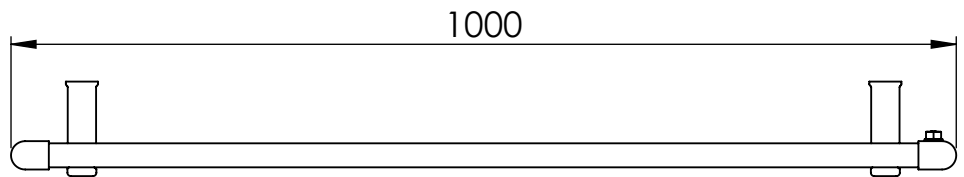
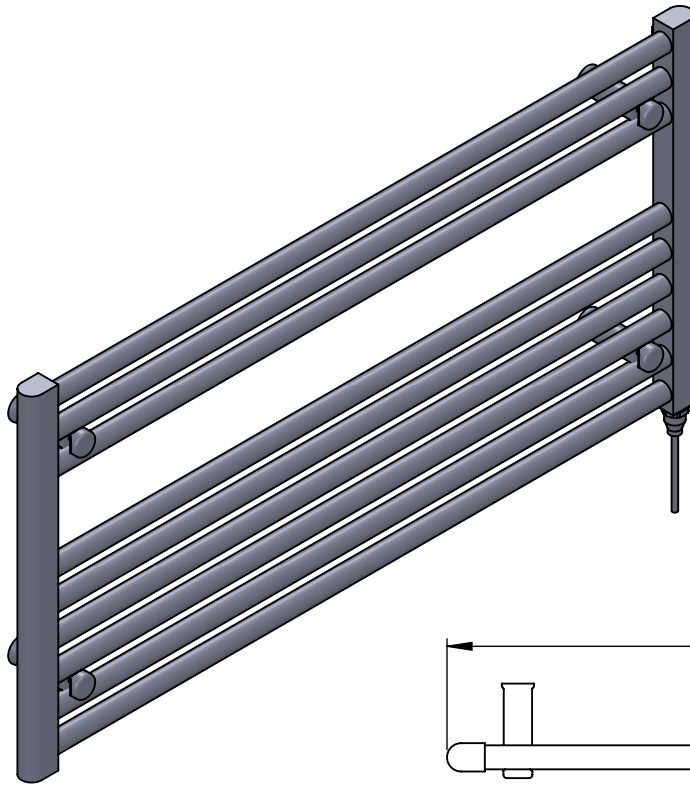
# Focus MD001 500x1000

Height: 500  
Width: 1000  
Depth: 93-113  
Weight HO: kg  
EO: kg

Tube  $\phi$  : 25 + 30x40 D Section  
Pipe Centres : 955  
Elec. element if specified: 125  
Output @ 50° C  $\Delta$  T Watts: 256  
BTUs: 873

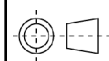
All dimensions in millimetres

Manufactured from Mild Steel



\*Dual energy models require a conversion-tee, consult relevant drawing for details.

Vogue UK Ltd. reserve the right to alter specifications without prior notice.  
ALL MEASUREMENTS ARE NOMINAL DIMENSIONS ONLY, AND ARE NOT BINDING.



SCALE 1:10



**VOGUE UK**  
TOWEL WARMERS & RADIATORS

Strawberry Lane, Willenhall  
West Midlands WV13 3RS  
Tel: 01902 387000 Fax: 01902 387001  
e-mail:sales@vogueuk.co.uk www.vogueuk.co.uk