

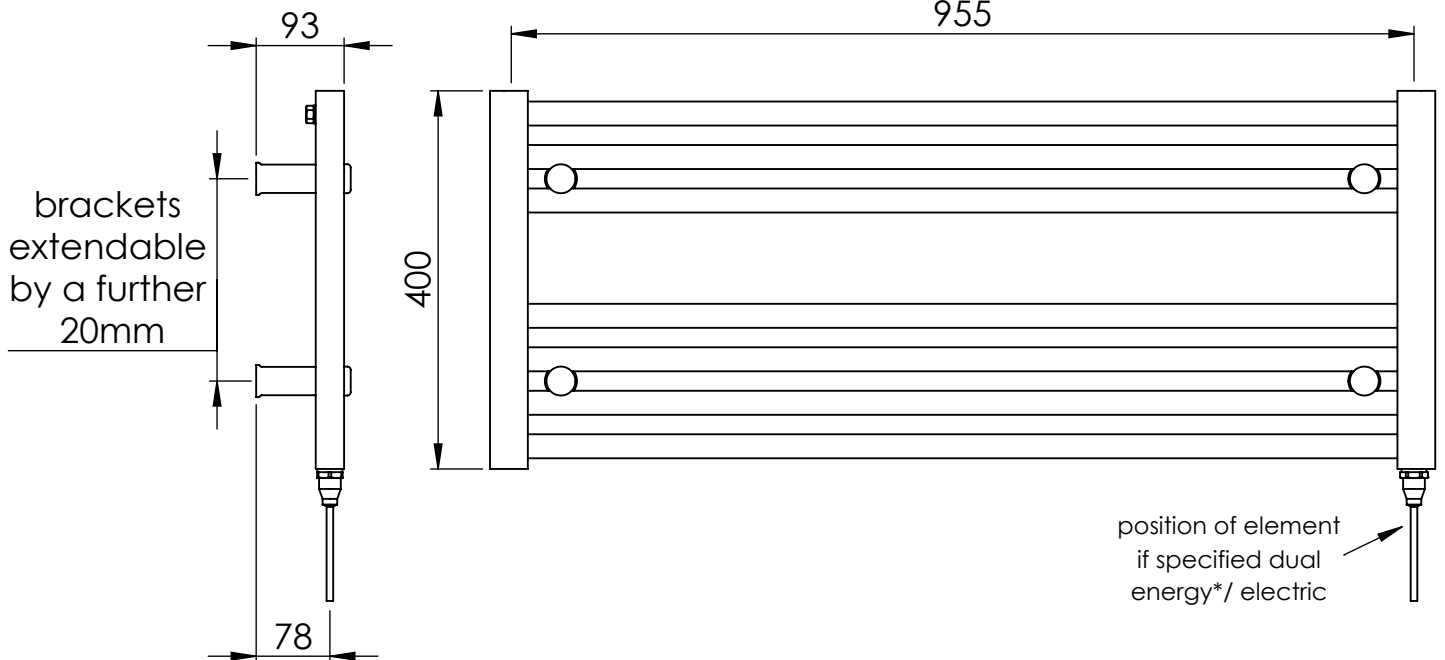
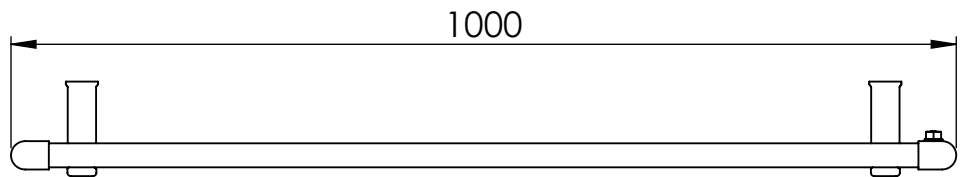
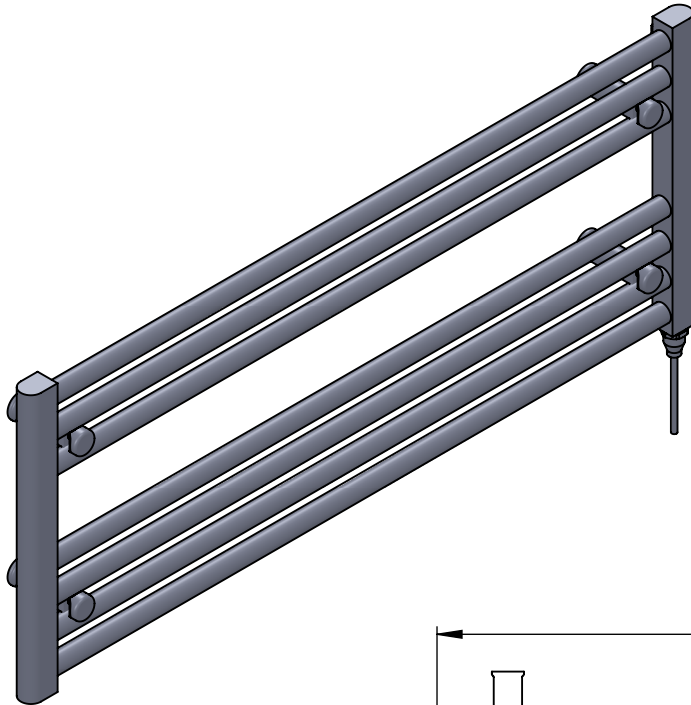
Focus MD001 400x1000

Height: 400
Width: 1000
Depth: 93-113
Weight HO: 8.2 kg
EO: kg

Tube ϕ : 25 + 30x40 D Section
Pipe Centres : 955
Elec. element if specified: 100
Output @ 50°C Δ T Watts: 200
BTUs: 682

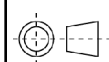
All dimensions in millimetres

Manufactured from Mild Steel



*Dual energy models require a conversion-tee, consult relevant drawing for details.

Vogue UK Ltd. reserve the right to alter specifications without prior notice.
ALL MEASUREMENTS ARE NOMINAL DIMENSIONS ONLY, AND ARE NOT BINDING.



SCALE 1:10



VOGUE UK
TOWEL WARMERS & RADIATORS

Strawberry Lane, Willenhall
West Midlands WV13 3RS
Tel: 01902 387000 Fax: 01902 387001
e-mail:sales@vogueuk.co.uk www.vogueuk.co.uk