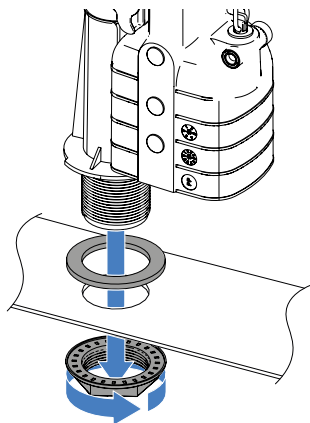
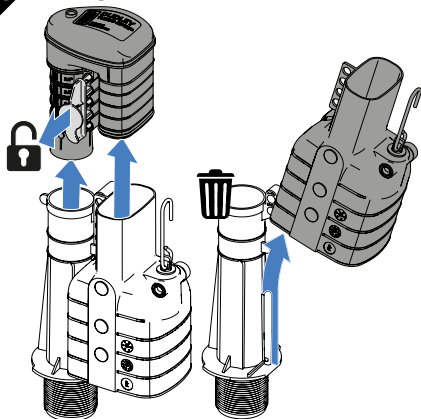
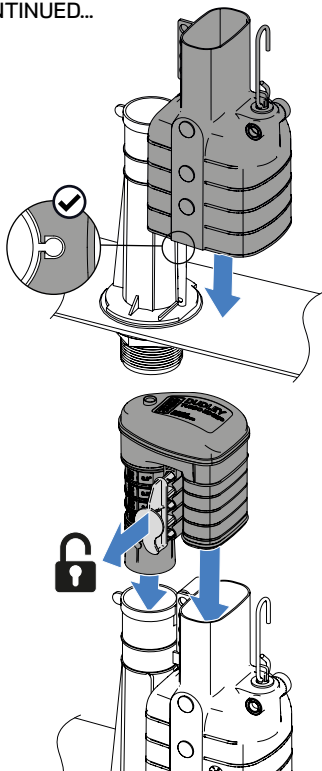
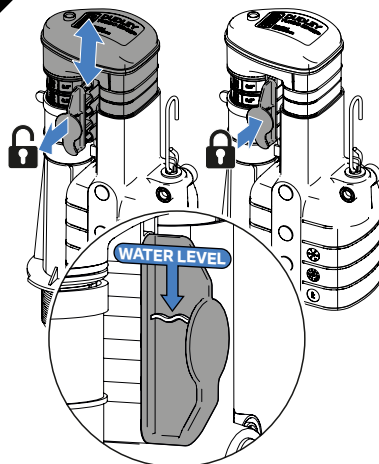


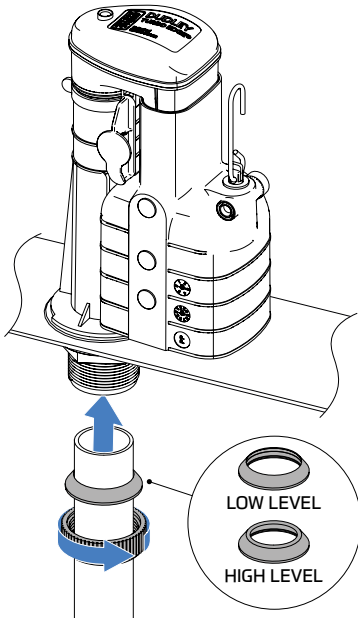
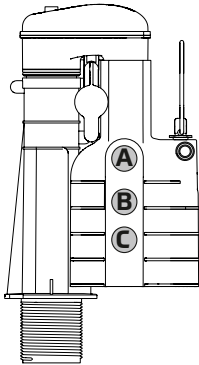
**IMPORTANT NOTES**

Before installation flush supply pipes and ensure cistern is clean and free from debris.

No sealing compound, paste, flux or solvent to be used in contact with plastic or rubber surfaces to avoid damage. Rubber washers will provide adequate seal. PTFE tape may be used on threads. No chemical block/additive to be used in this cistern.

Do not over-tighten plastic fasteners. Hand tight + ¼ turn is recommended and should provide an adequate seal.

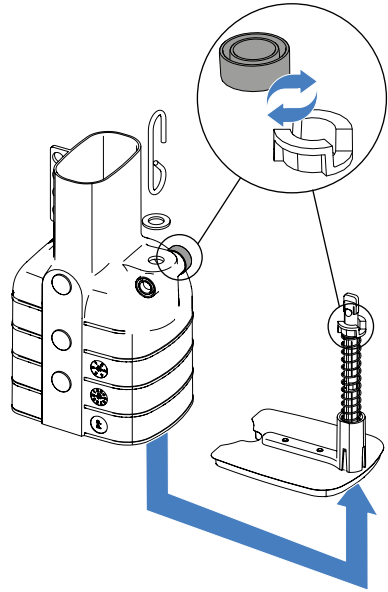
1a NEW INSTALL**1b RETRO-FIT****CONTINUED...****2**

3**4**

FLUSH VOLUME	CONFIGURATION
MIN.	Only 'A' OPEN
LOW	Only 'B' OPEN
HIGH	Only 'C' OPEN
MAX.	All positions CLOSED

5

MONO FLUSH CONVERSION (IF REQUIRED)

**6**

Final Installation Checklist

- ~ Check moving components are not obstructed and move freely.
- ~ Check connections are secure and fixed correctly.
- ~ Connect and turn on water supply.
- ~ Check installation for leaks.
- ~ Check water level aligns to that marked on cistern and is as close as adjustment allows to water level marked on syphon snap pin.
- ~ Hold the valve open (float down) to check overflow operation is sufficient.
- ~ Installer to ensure cistern complies with UK water regulations.
- ~ Visit www.tyde.co.uk for service & maintenance information.

TYDE

295 Birmingham New Road
Dudley, West Midlands
United Kingdom
DY1 4SJ

A Thomas Dudley Business

t +44 (0)121 557 5411

f +44 (0)121 557 5345

e info@tyde.co.uk

w www.thomasdudley.co.uk/tyde

TYDE
fluid
movement

© 2020 TYDE_R372105_15125 Iss A