



SCALA1



<http://qr.grundfos.com/i/99735528>

be
think
innovate

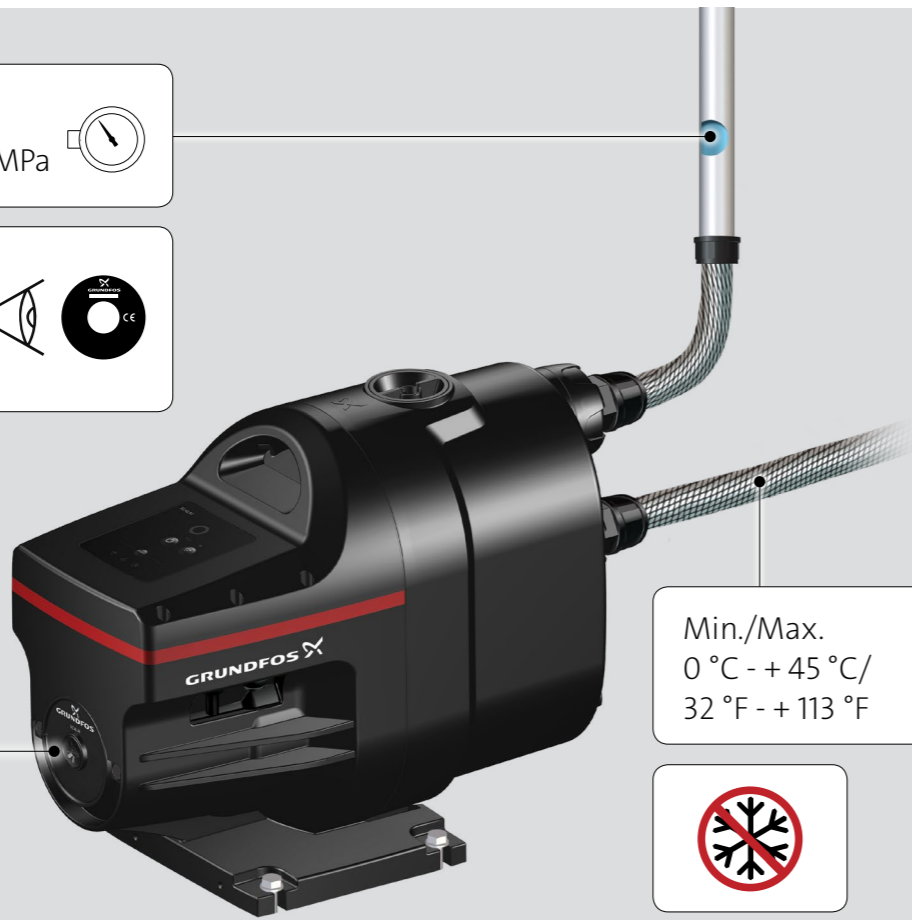
GRUNDFOS 



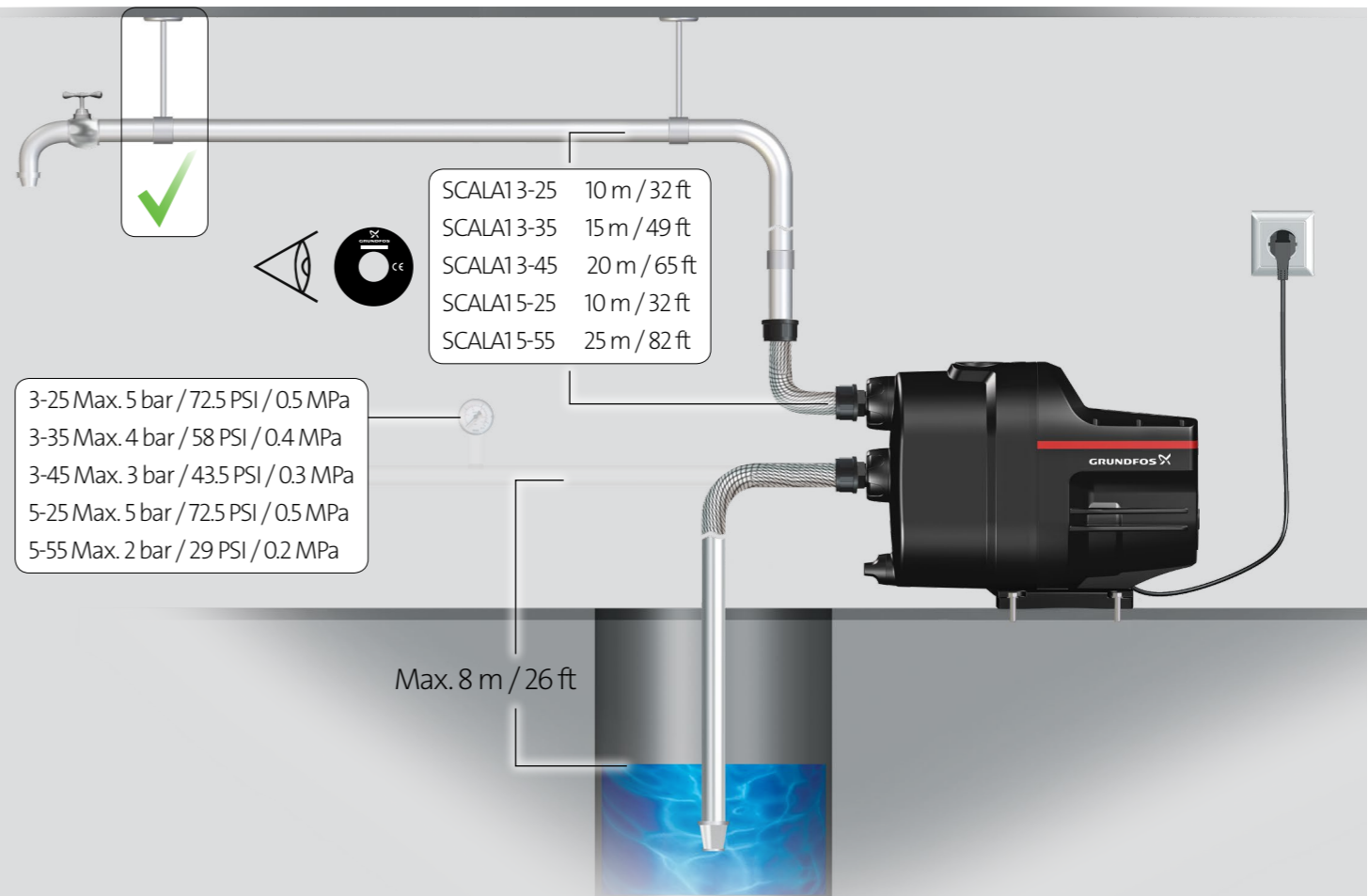
PN8:
Max. 8 bar / 0.8 MPa

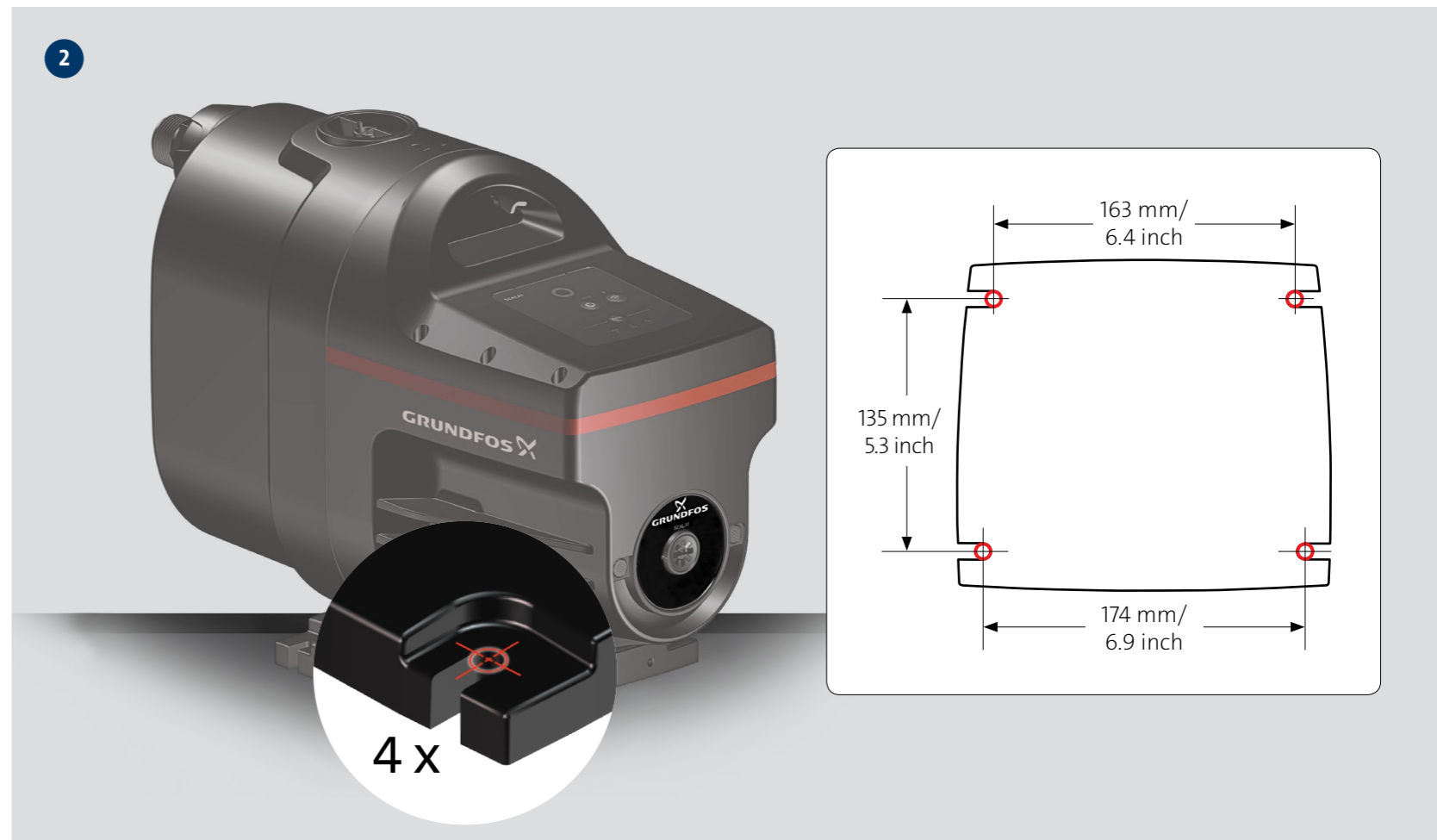
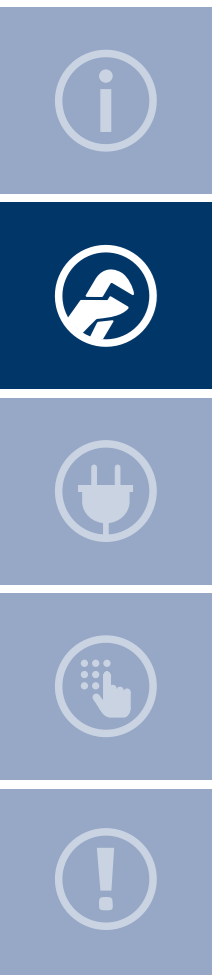


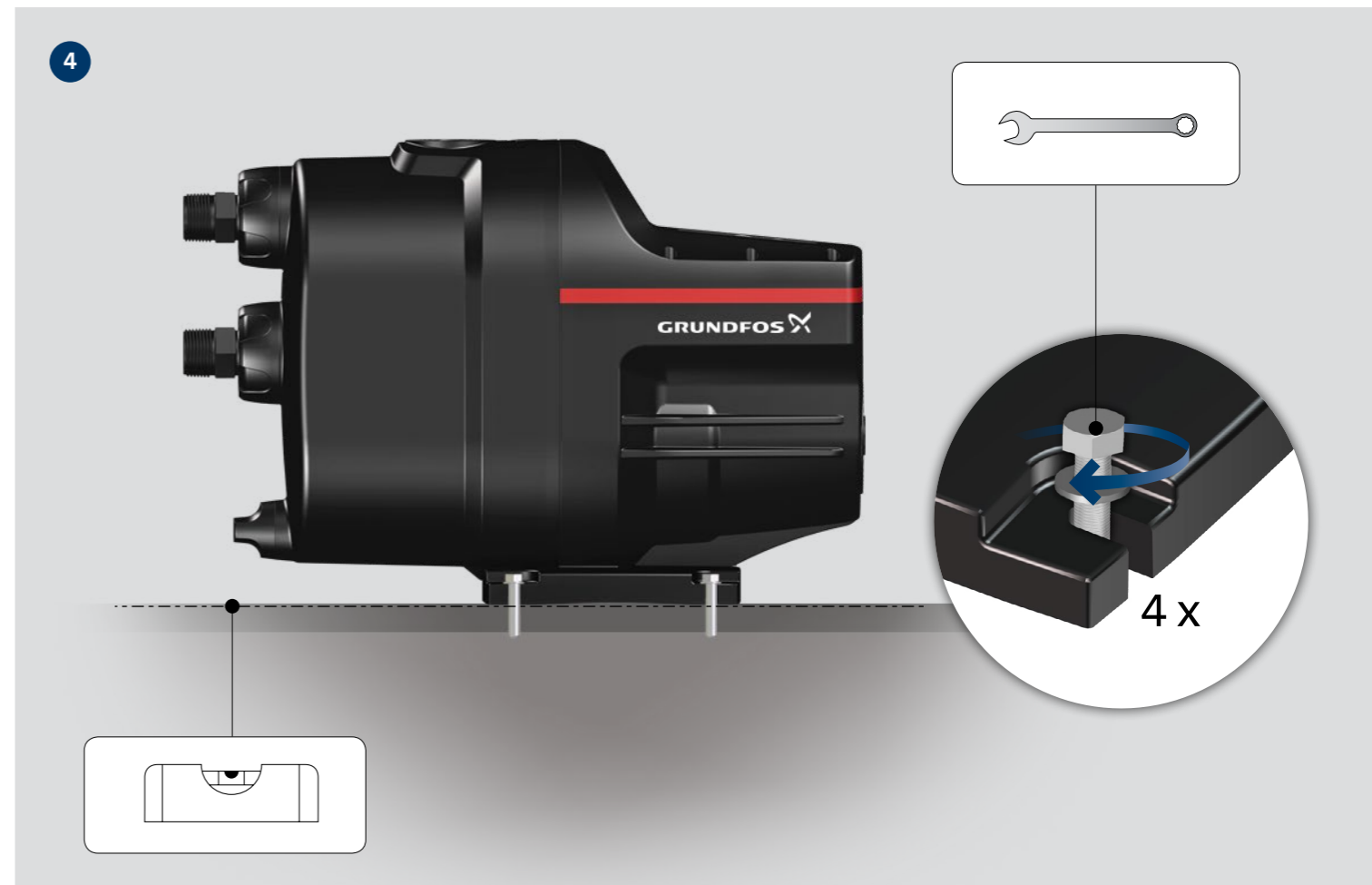
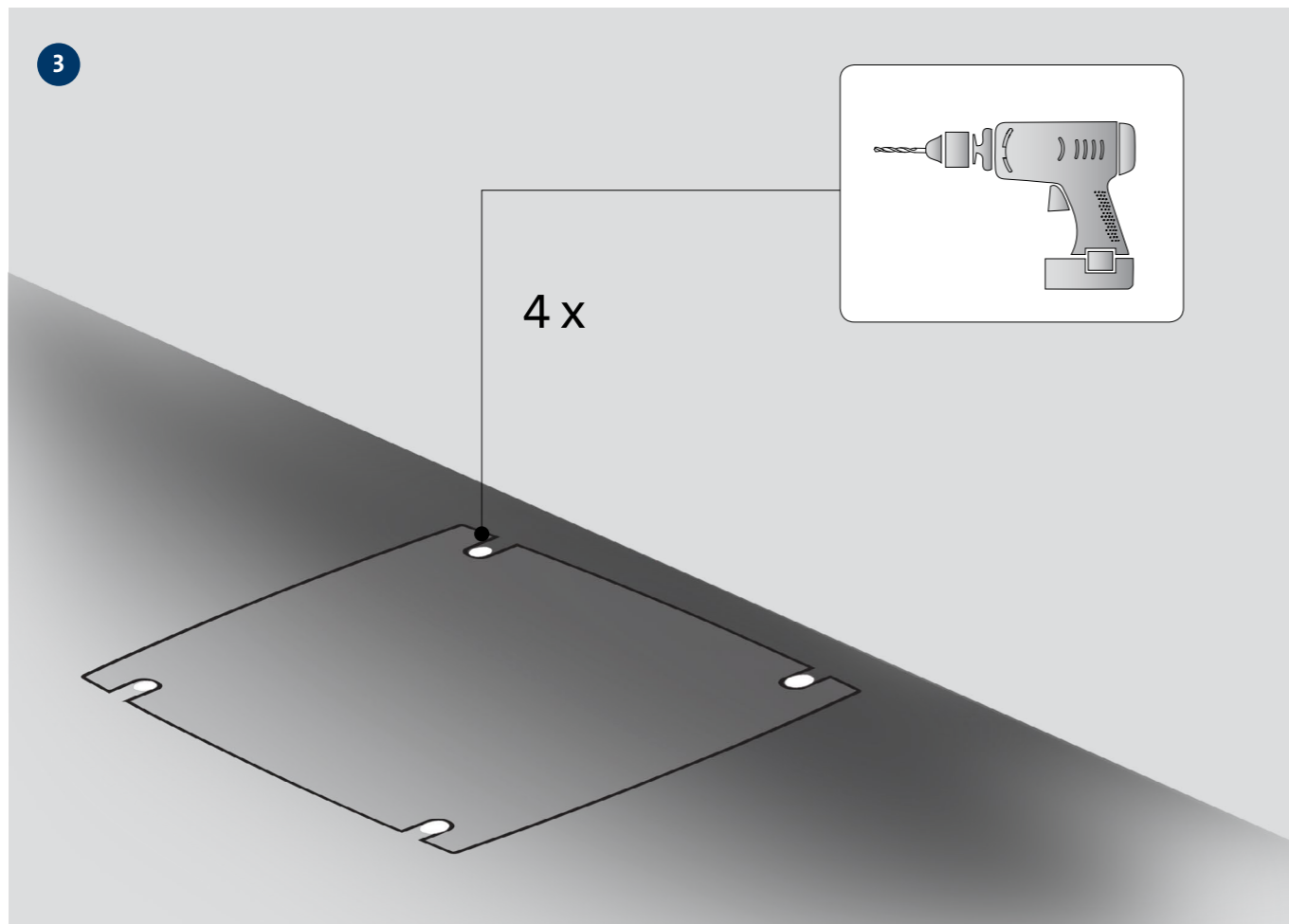
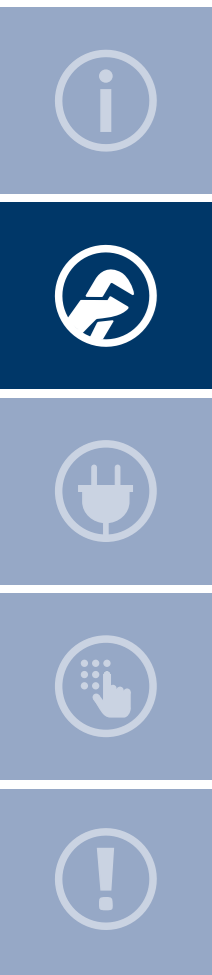
- Voltage and frequency
- Ambient temperature

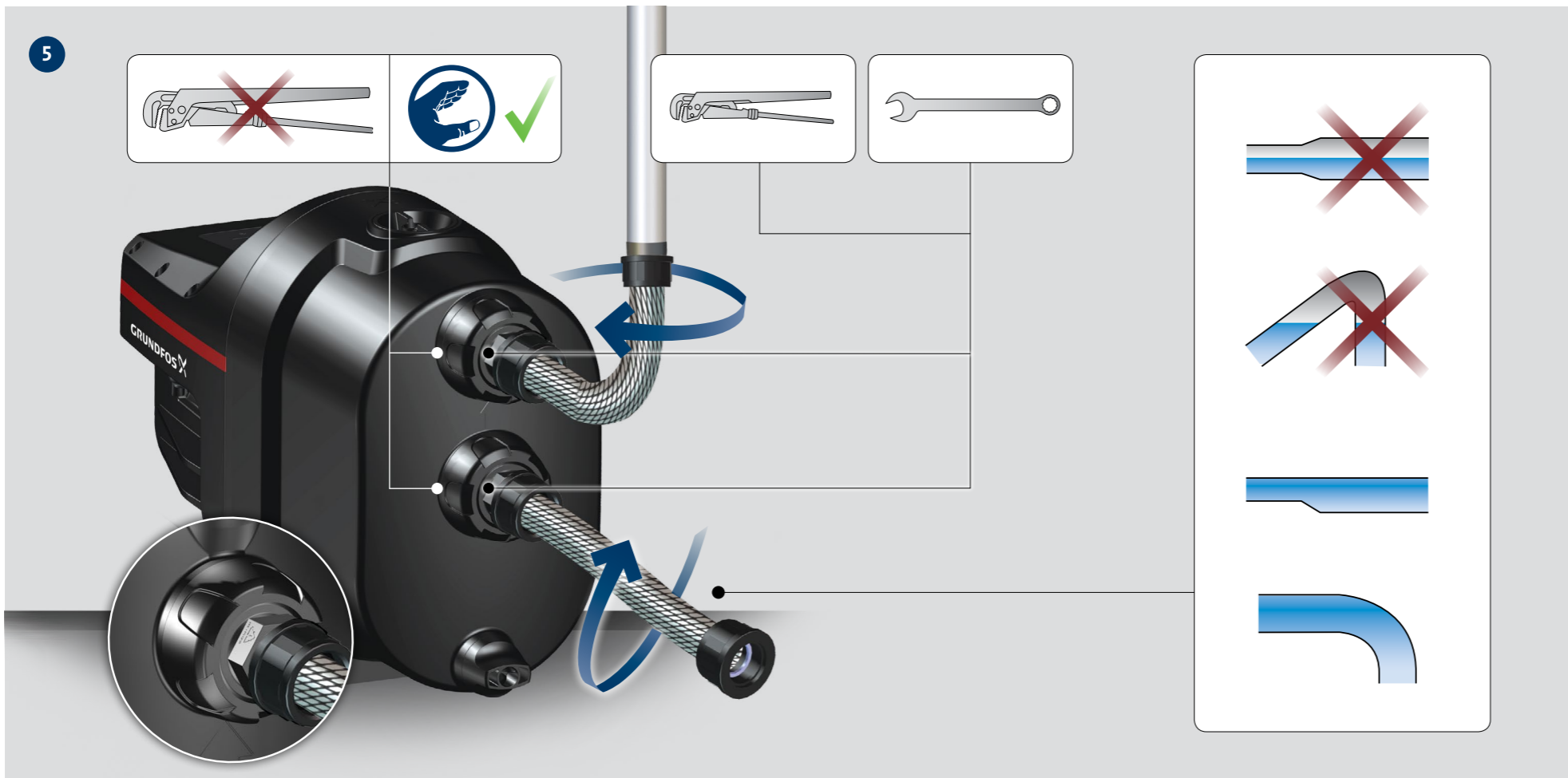
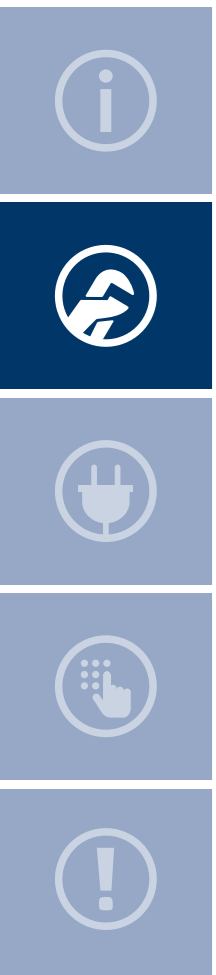


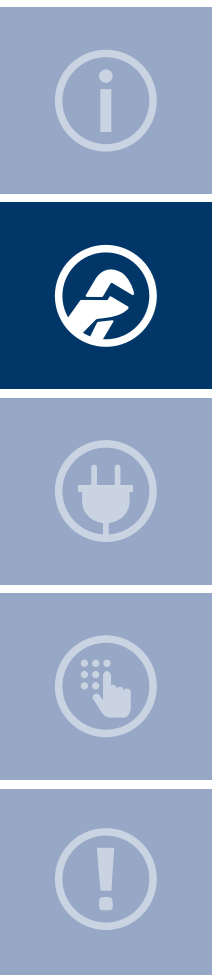
Min./Max.
0 °C - + 45 °C /
32 °F - + 113 °F



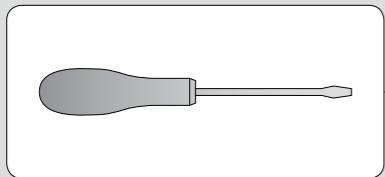




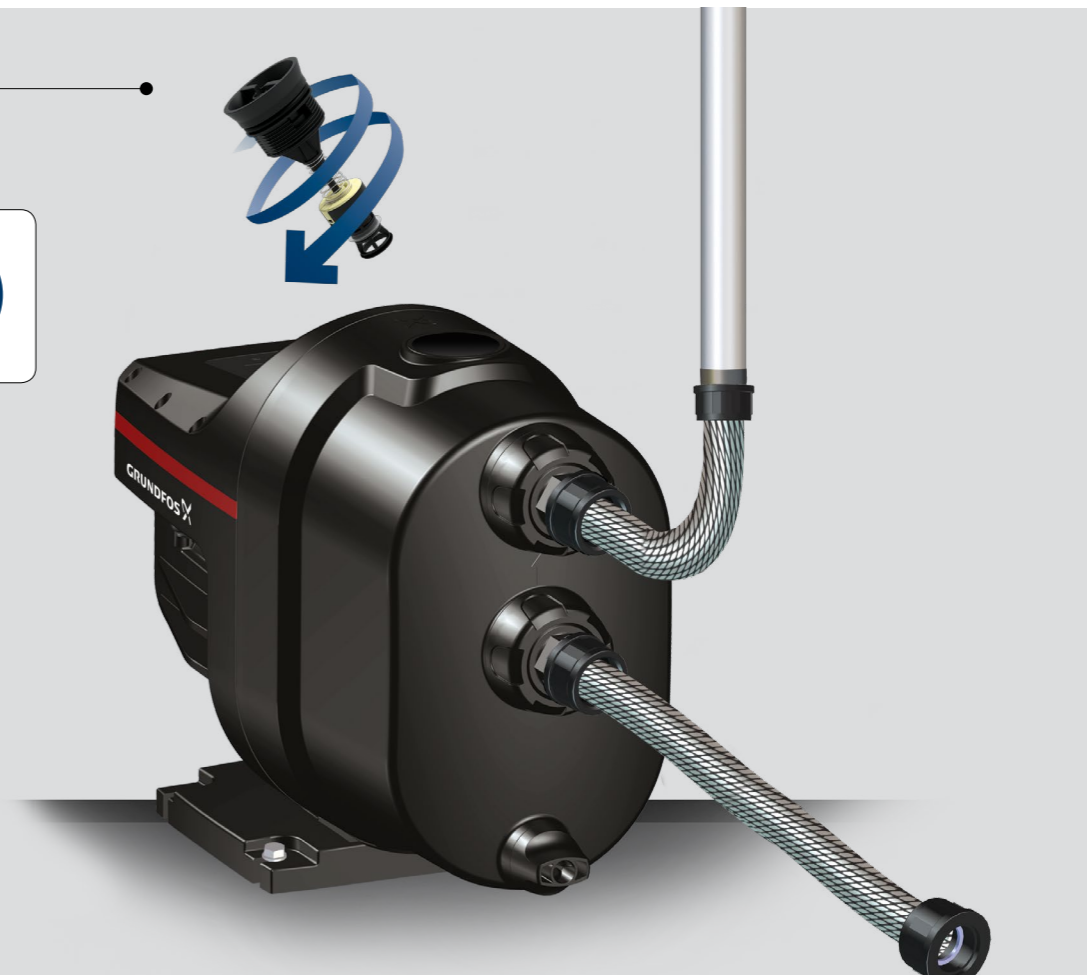


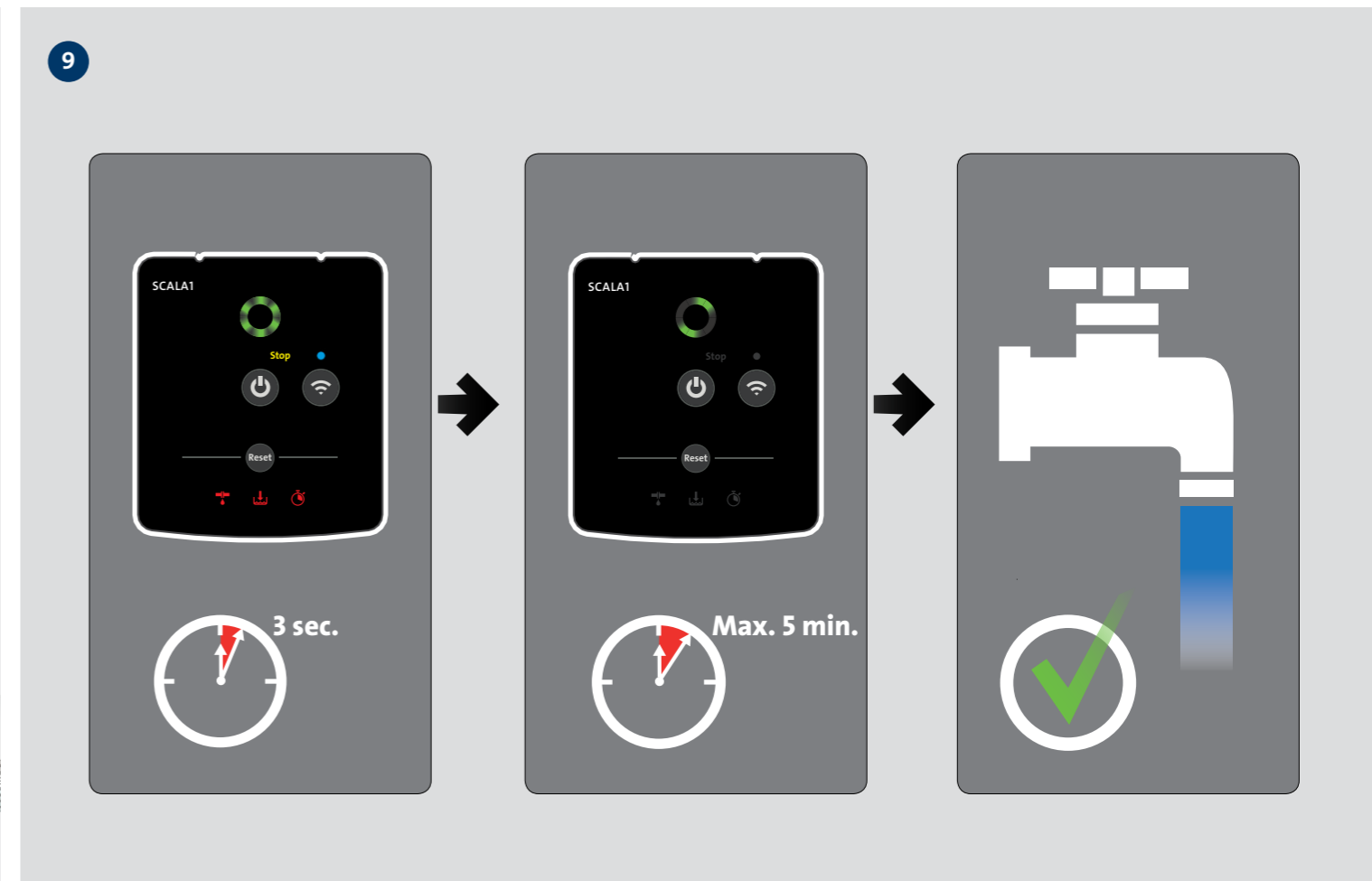
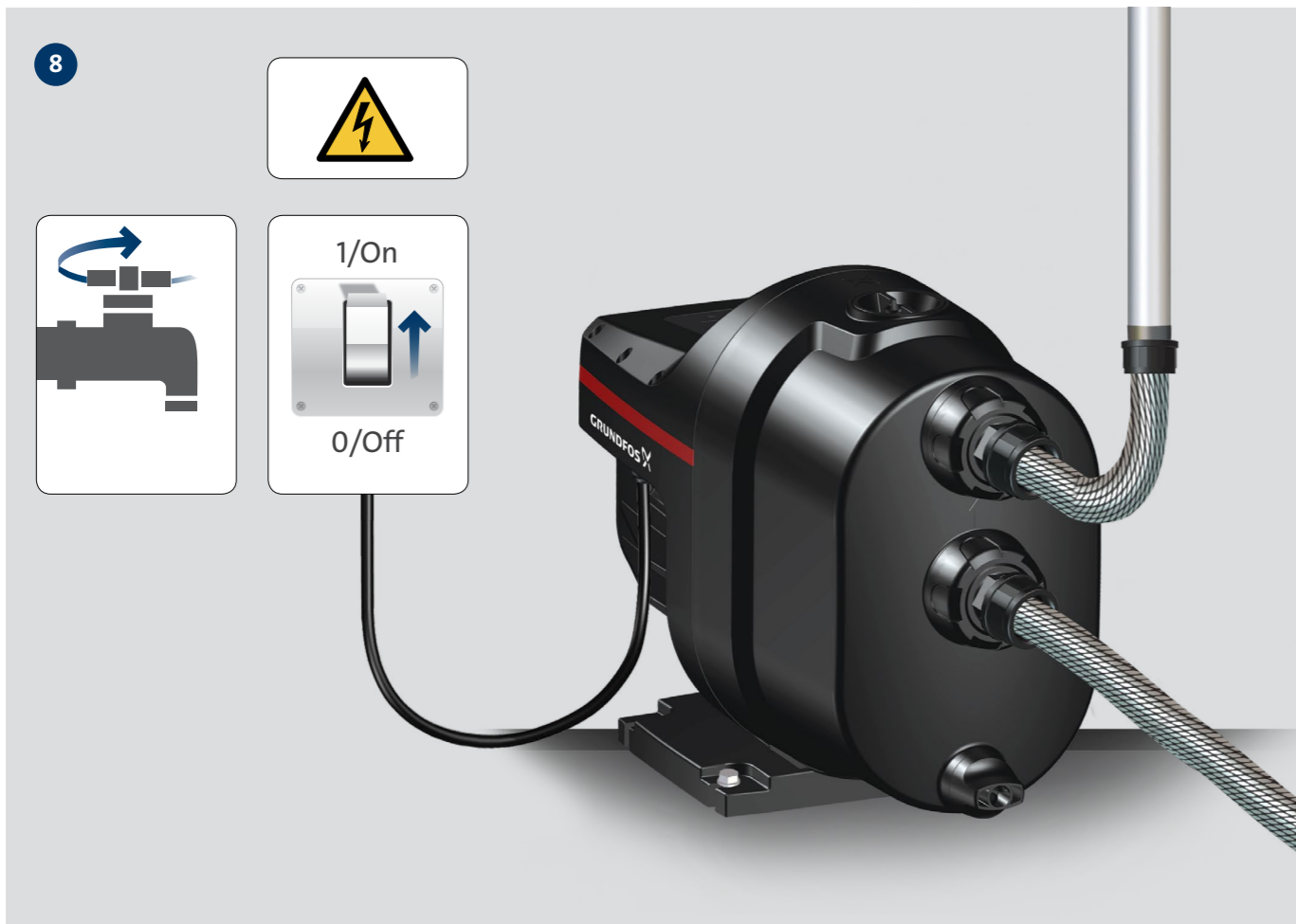
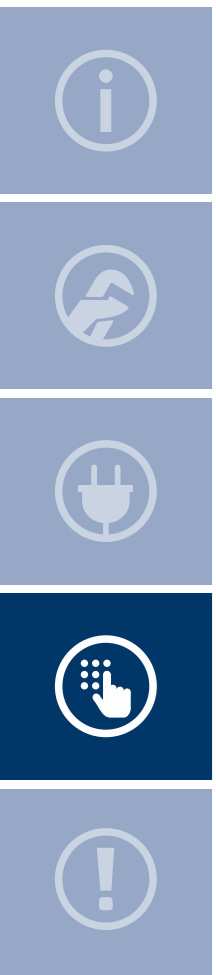


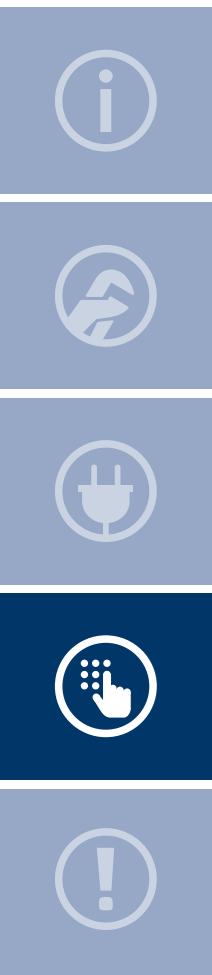
6

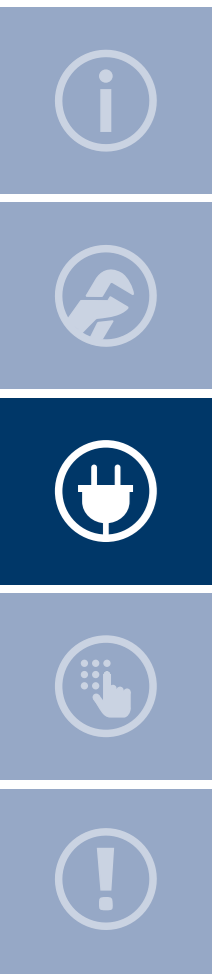


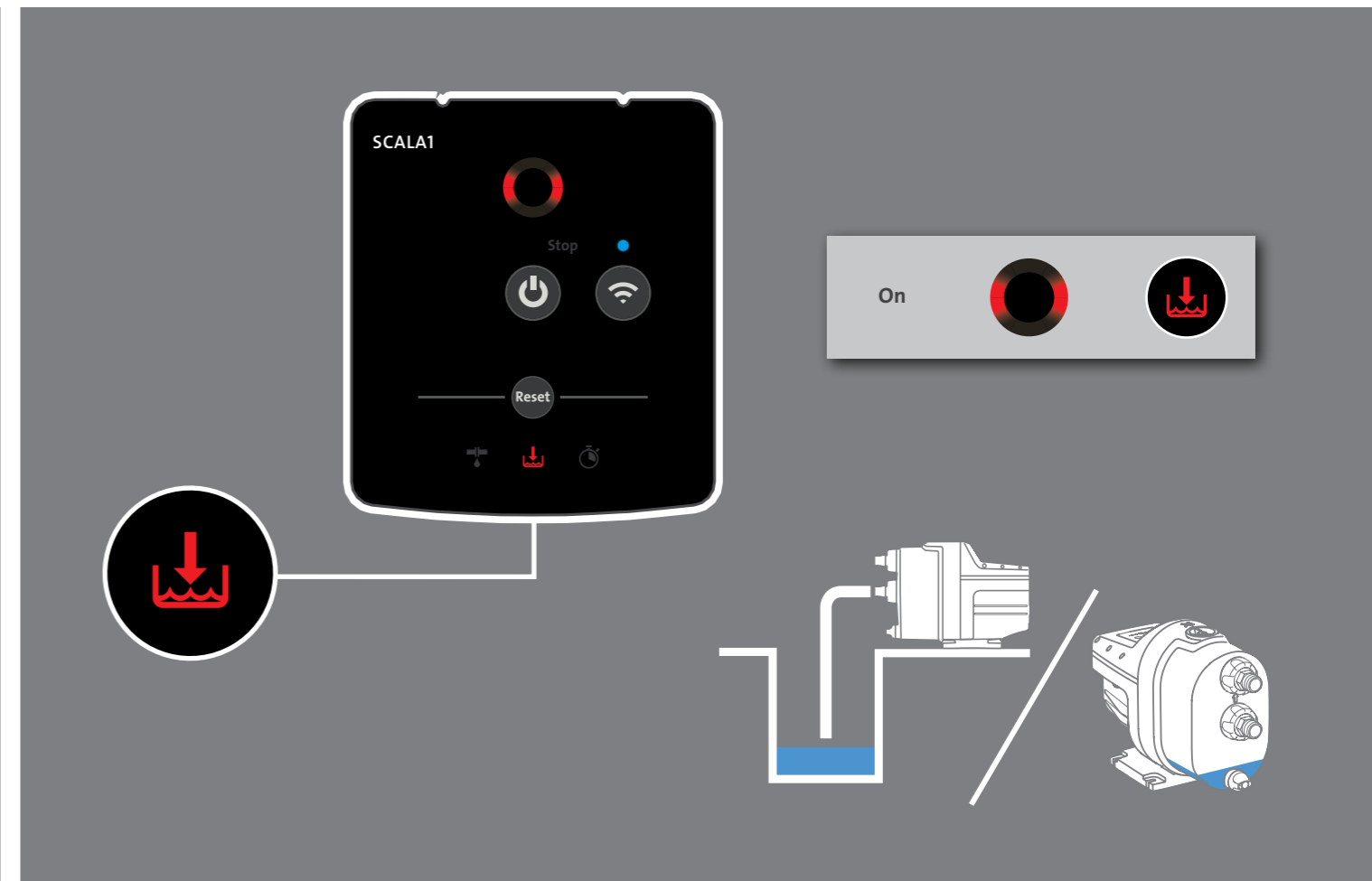
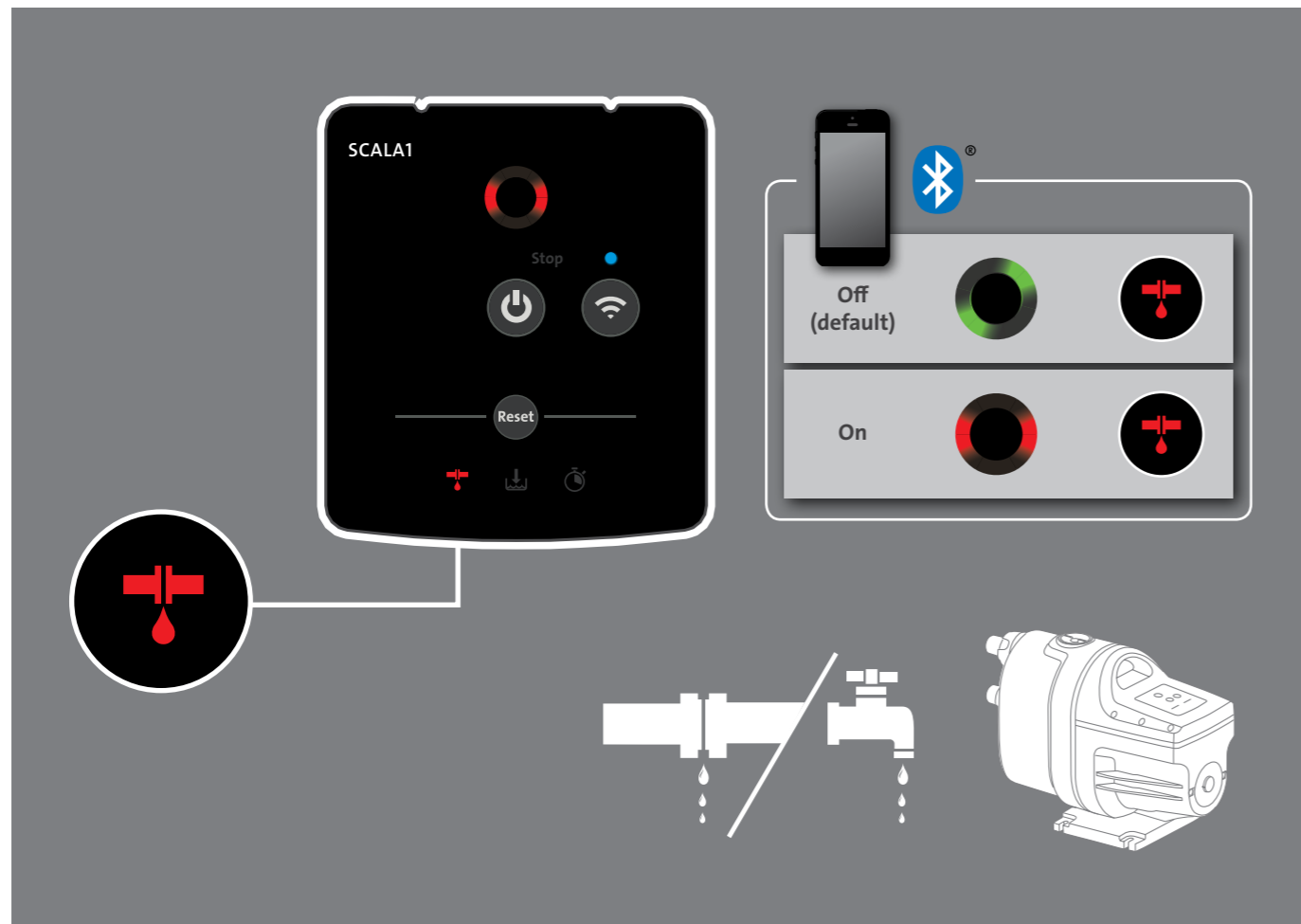
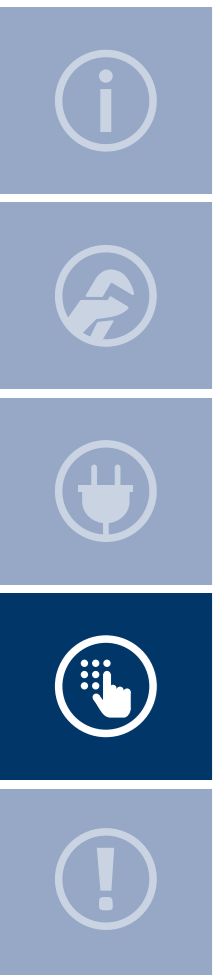
7

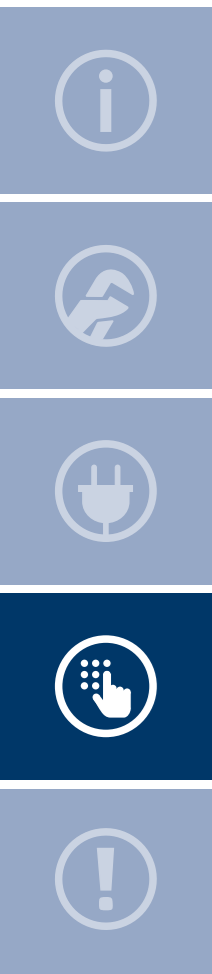












SCALA1

Stop

Reset

Off (default)

On

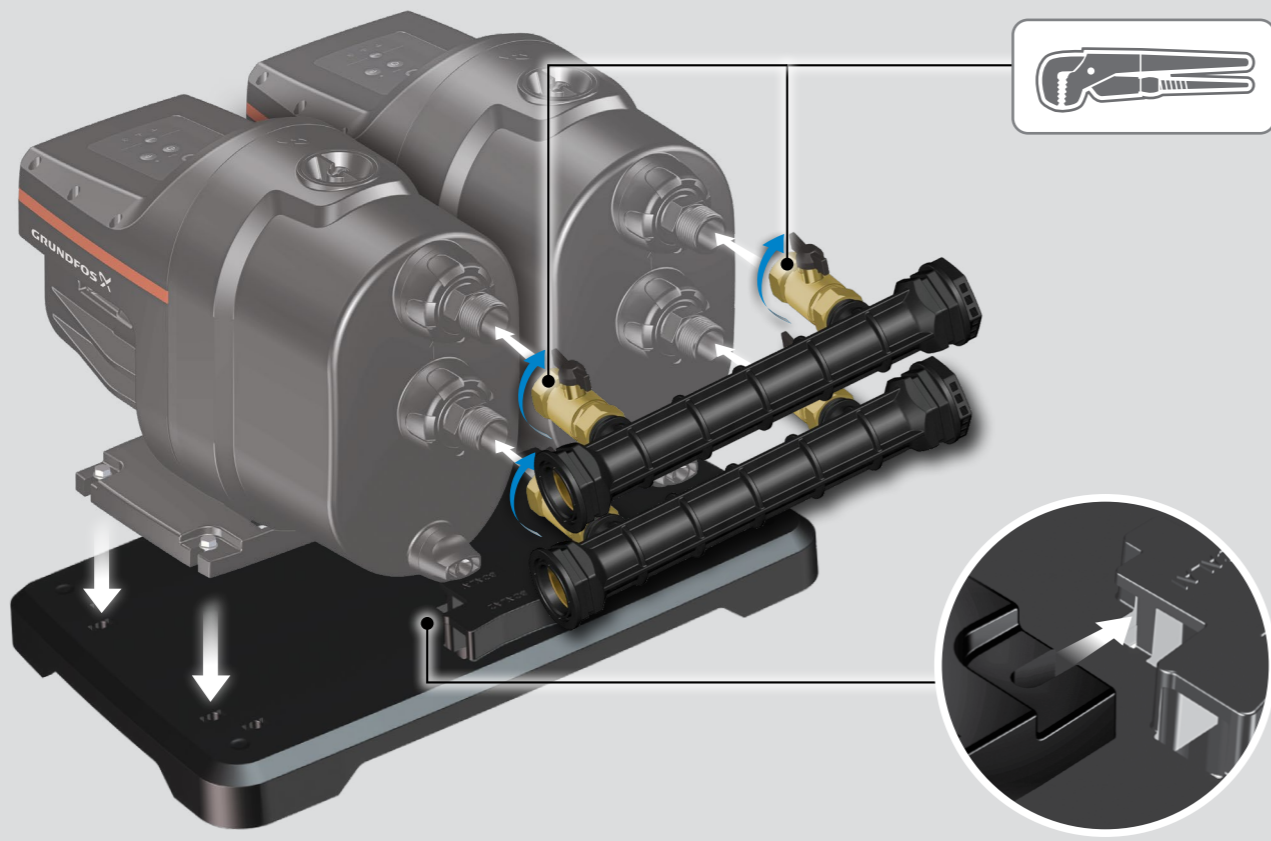
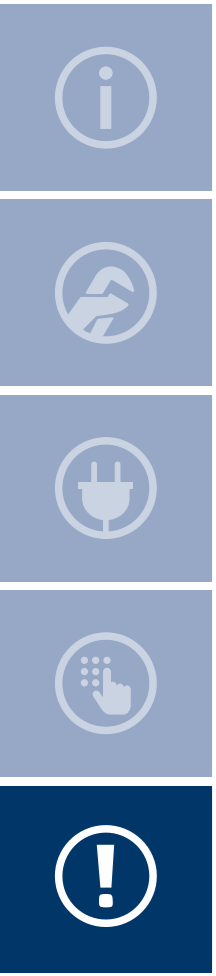
Bluetooth

Water tap icon → Gauge icon

GRUNDFOS X

GRUNDFOS X

<http://qr.grundfos.com/i/99735528>



PN: 99725165 Rp
PN: 99725168 NPT

<http://qr.grundfos.com/i/99735528>

be think innovate

99735558 0220

ECM: 1280823

GRUNDFOS Holding A/S
Poul Due Jensens Vej 7
DK-8850 Bjerringbro
Tel: +45 87 50 14 00
www.grundfos.com

GRUNDFOS 

Trademarks displayed in this material, including but not limited to Grundfos, the Grundfos logo and "be think innovate", are registered trademarks owned by The Grundfos Group. All rights reserved.
© 2020 Grundfos Holding A/S, all rights reserved.