



# About **SALUS**

SALUS Controls is a technology led supplier of energy control solutions focused primarily on the European professional market channel. We work closely with our customers and partners to understand the complexity of each market that we work with to develop innovative and cost-effective products that are intuitive to use, quick to install and simple to maintain.

SALUS Controls is a member of The Computime Group Ltd, Hong Kong, widely regarded for its electronic control technologies, research & design capabilities and manufacturing services. It occupies a unique niche in appliance, heating, air conditioning, smart energy and building automation sectors, serving customers in commercial, industrial and consumer markets throughout Asia, North America and Europe since 1974.

SALUS Controls builds solid partnerships and provides dependable solutions to enable our customers' success. We have a performance culture which seeks to anticipate our customers' requirements with quickness and flexibility. Most importantly, we offer our customers fast service and exceptional professional support.

## Index

Product	Page
Thermostats	08
Internet Thermostats	15
Smart Home	18
Smart Home Packs	25
Mix and Match Range	26
Programmings	31
Accessories	32
Control Packs	35
Underfloor Heating	36

**01**  
Thermostats

**02**  
Internet  
Thermostats

**03**  
Smart Home

**04**  
Mix & Match  
Range

**05**  
Programmings

**06**  
Accessories

**07**  
Underfloor  
Heating

## Key to Wiring Diagrams



Battery powered

L, N

230V AC power supply



Fuse

COM, NO, NC

Voltage-free output

S, S1, S2

Input terminals

SL

230V AC voltage output



Contact normally open NO



Contact normally closed NC



NC/COM/NO switch



Boiler - Boiler connection \* - Boiler's contacts for ON/OFF thermostat (according to the boiler's instructions)



Wireless communication



Pump



Valve actuator



Temperature sensor



3-speed 230V AC fan



Light bulb or other load



Thermoelectric actuator



Time programmer



External normally open contact



Transformer (voltage converter)



Momentary switch, normally open NO

# New Products For 2021

## **RS600**

Smart Home  
Roller Shutter  
Relay  
Page 22



## **SQ610 & SQ610RF**

Ultra slim Smart thermostat  
Page 18-19



## **WQ610 & WQ610RF**

Ultra slim Boiler Plus thermostat  
Pages 12 and 08

## **PS600**

Smart Home  
Pipe Sensor  
Page 24



## **SD600**

Smart Home  
Smoke Detector  
Page 23



## **MS600**

Smart Home  
Motion Sensor  
Page 23



## **WLS600**

Smart Home  
Water  
Leak Sensor  
Page 24



## **RT520TX**

Mix and Match  
Thermostat  
Page 27

The 2020 / 2021 season sees SALUS Controls launching several new products. All with the great quality and ease of installation that you come to expect from the SALUS range.

**Check them out as you browse through this catalogue.**





# We're here to help

---

## Need information? Got a question? We can help.

Whether you need to register your product, communicate with a SALUS representative, or obtain installation instruction, finding answers and information is easy by visiting the SALUS website. Product information, Installation and user manuals, wiring diagrams, software updates and warranty information are all just a click away.

**[www.salus-controls.com/uk](http://www.salus-controls.com/uk)**

---

## Technical Support.

If you need technical support on a product, visit our dedicated support page:

**[www.salus-tech.com](http://www.salus-tech.com)**

Email:

**[techsupport@salus-tech.com](mailto:techsupport@salus-tech.com)**

Telephone

**01226 323961**

---

## Place your order NOW!

**[sales@salus-tech.com](mailto:sales@salus-tech.com)**

---

## Find us on Social Media






























































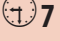











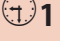


























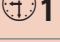
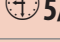





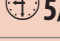
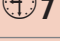




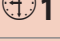
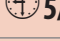











For exclusive product support, giveaways and updates join our installer club.



**[www.salus-controls.com/uk/salus-connect](http://www.salus-controls.com/uk/salus-connect)**

# Guide to thermostats

Thermostat	Applications		Type of Regulation			ERP Class	Functions	
	Heating	Cooling	SPAN / Hysteresis	Self Learning	OpenTherm		Internet Controlled	Zigbee / 868MHz
SQ610	☞☞☞	❄		ITLC		V	OPTIONAL	Zigbee
SQ610RF	☞☞☞	❄		ITLC		V	OPTIONAL	Zigbee
HTR-RF(20)	☞☞☞	❄	0.5	ITLC		IV	OPTIONAL	Zigbee
HTRS-RF(30)	☞☞☞	❄	0.25 0.5	ITLC		IV	OPTIONAL	Zigbee
HTRP-RF(50)	☞☞☞	❄	0.25 0.5	ITLC		IV	OPTIONAL	Zigbee
FC600	☞☞☞	❄	0.25 0.5	ITLC		IV	OPTIONAL	Zigbee
TS600	☞☞☞	❄	0.25 0.5	ITLC		IV	YES	Zigbee
RT310i	☞☞☞	❄	0.25 0.5	ITLC		IV	YES	868MHz
iT500	☞☞☞	❄	0.25 0.5	ITLC		IV	YES	868MHz
iT500BM	☞☞☞	❄	0.25 0.5	ITLC		IV	YES	868MHz
RT100	☞☞☞		1			I		
RT200	☞☞☞		1			I		
RT310	☞☞☞		0.25			IV		
RT510+	☞☞☞		0.25	ITLC		IV		
RT520	☞☞☞	❄	0.25 0.5	ITLC	OT	V		
FT100	☞☞☞							
EP110	☞☞☞							
EP210	☞☞☞							
EP310	☞☞☞							
ERT20RF	☞☞☞	❄	0.5			I		868MHz
RT310RF	☞☞☞		0.25	ITLC		IV		868MHz
RT510RF+	☞☞☞		0.25	ITLC		IV		868MHz
RT520RF	☞☞☞	❄	0.25 0.5	ITLC	OT	V		868MHz
WQ610	☞☞☞	❄	0.25 0.5	ITLC	OT	V		
WQ610RF	☞☞☞	❄	0.25 0.5	ITLC	OT	V		Zigbee

Functions												Page
Type of programme			Display		Transmission		Power Supply		Installation			
All	5/2	Individual	Digital	Manual	Wired	Wireless	230 V	Battery	Recessed	Wall Mounted		
 1	 5/2	 7	<b>D</b>								08	
 1	 5/2	 7	<b>D</b>								09	
 1	 5/2	 7		<b>M</b>							10	
 1	 5/2	 7	<b>D</b>								10	
 1	 5/2	 7	<b>D</b>								10	
 1	 5/2	 7	<b>D</b>								11	
 1	 5/2	 7	NA								11	
 1	 5/2	 7	<b>D</b>								18	
 1	 5/2	 7	<b>D</b>								19	
 1	 5/2	 7	<b>D</b>								20	
				<b>M</b>							22	
				<b>M</b>							22	
			<b>D</b>								22	
 1	 5/2		<b>D</b>								22	
 1	 5/2	 7	<b>D</b>								23	
				<b>M</b>							23	
			<b>D</b>								24	
			<b>D</b>								24	
			<b>D</b>								24	
				<b>M</b>							24	
			<b>D</b>								25	
 1	 5/2		<b>D</b>								25	
 1	 5/2	 7	<b>D</b>								25	
 1	 5/2	 7	<b>D</b>								19	
 1	 5/2	 7	<b>D</b>								22	

# WQ610RF

Ultra-slim, Wired, Programmable, Boiler Plus compliant thermostat



## FEATURES

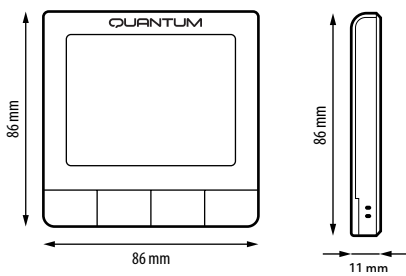
- Powered by LI-ON rechargeable battery
- Large LCD
- Programmable
- OpenTherm
- Hysteresis  $\pm 0.5 / \pm 0.25$
- 5 Year Warranty



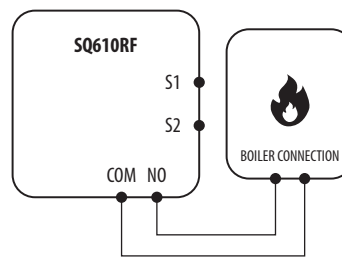
## RECHARGEABLE THERMOSTAT!

Up to 2 years usage from a full charge

### Product Dimensions



### Wiring Diagram



Power Source:	5 V DC via USB charger
Wireless Protocol:	ZigBee
Operating Temperature:	0 to 50 °C
Dimensions (mm):	L-87,6 x H-55,7

# RT520RF

Programmable Wireless Digital Room Thermostat with large LCD



## FEATURES

- Load Compensation (OpenTherm Compatible)
- Optimisation Functions
- New Larger Clear easy to read LCD
- ITLC (Internal Temperature Load Compensation)
- ErP Rating V
- Service Mode
- Landlord PIN
- Battery Operated
- Frequency 868 MHz with 30 metre range
- 5 Year Warranty



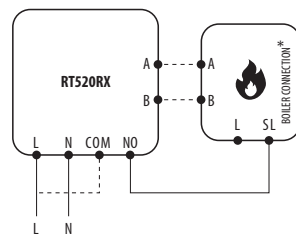
### RF Receiver Wiring

N	Neutral connection
L	Live connection
COM	Input
NO	Switched output
A and B	OpenTherm

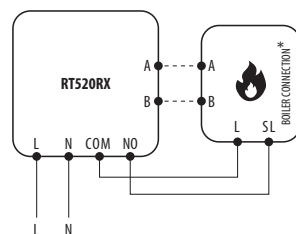
Thermostat Supply:	2 x AA Batteries
Receiver (Rx) Supply:	230V AC 50Hz
Rx Rating Max:	16 (5) A SPST
Rx Input/Output:	0 - 230V
Thermostat Scale:	5 to 33.5°C
Thermostat Size(mm):	W-118 H-95 D-26
Receiver Size (mm):	W-96 H-96 D-27

### Wiring Diagram

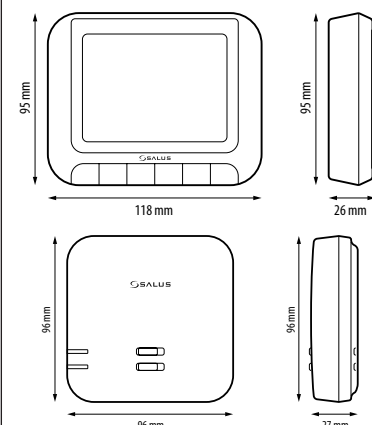
#### 230V Setup



#### Volt Free Setup



### Product Dimensions





# RT510RF+

Programmable Wireless Digital Thermostat



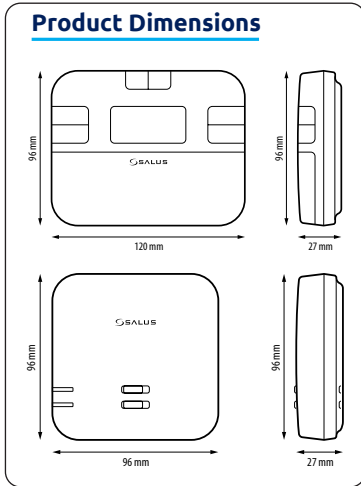
## FEATURES

- Switching volt free and 230V
- Sleep Mode
- Programmable
- Frost Protection
- Desk Stand
- Frequency 868 MHz with 30 metre range
- 16 amp relay switching
- Manual mode
- RF Test Function
- Heating Boost Mode
- Holiday Mode
- Receiver manual override switch
- ITLC (Internal Temperature Load Compensation)
- Boiler Plus Compatible
- 5 Year Warranty

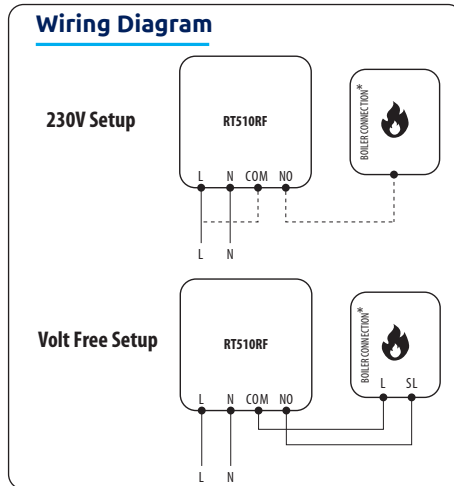


01  
Thermostats

### Product Dimensions



### Wiring Diagram



Thermostat Supply:	2 x AA Batteries
Receiver (RX) Supply:	230V AC 50Hz
RX Rating Max:	16 (5) A SPST
RX Input/Output:	0 - 230V
Thermostat Scale:	5 to 35°C
Thermostat Size (mm):	W-120 H-96 D-27
Receiver Size (mm):	W-96 H-96 D-27

#### RF Receiver Wiring

N	Neutral connection
L	Live connection
COM	Input
NO	Switched output

# RT310RF

Wireless Digital Room Thermostat

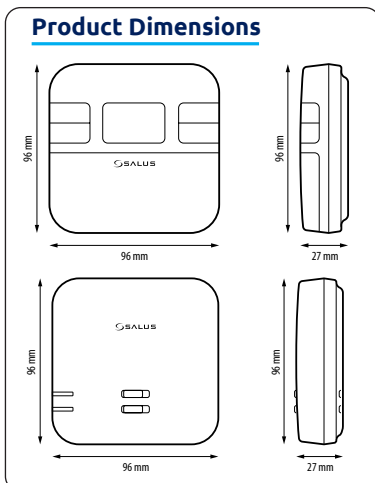


## FEATURES

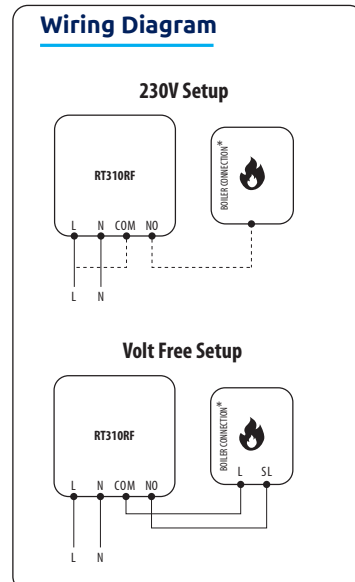
- Switching volt free and 230V
- Sleep Mode
- Frost Protection
- Desk Stand
- 5 Year Warranty
- Frequency 868 MHz with 30 metre range
- Simple Operation
- 16 amp relay switching
- Pre-paired wireless communication, so no more dip switches!
- Contemporary design
- RF Test Function
- Easy Installation
- Receiver manual override switch
- 5 Year Warranty



### Product Dimensions



### Wiring Diagram



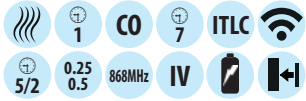
Thermostat Supply:	2 x AA Batteries
Receiver (RX) Supply:	230V AC 50Hz
RX Rating Max:	16 (5) A SPST
RX Input/Output:	0 - 230V
Thermostat Scale:	5 to 35°C
Thermostat Size (mm):	W-96 H-96 D-27
Receiver Size (mm):	W-96 H-96 D-27

#### RF Receiver Wiring

N	Neutral connection
L	Live connection
COM	Input
NO	Switched output

## RT510BC+

Digital Programmable  
Thermostat with RF  
Boiler Receiver



Thermostat Supply:	2 x AA Batteries
Receiver (RX) Supply:	230V AC 50Hz
RX Rating Max:	5 (1) A SPST
RX Input/Output:	0 - 230V
Thermostat Scale:	5 to 35°C
Thermostat Size (mm):	W-120 H-96 D-27
Receiver Size (mm):	W-58 H-58 D-30

Internal Boiler Connections

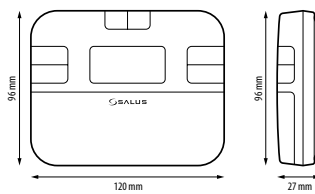
1	Neutral connection
2	Live connection
3	Com input
4	Switched Output

## FEATURES

- Sleep Mode
- Programmable
- Frost Protection
- Desk Stand
- 5 Year Warranty
- Simple Operation
- Plug-in boiler receiver
- LED status indicator
- Frequency 868 MHz with 30 metre range
- Manual mode
- Pre-paired wireless communication, no more dip switches!
- Heating Boost Mode
- Holiday Mode
- Contemporary design
- RF Test Function
- Easy Installation
- ITLC (Internal Temperature Load Compensation)
- 5 Year Warranty



### Product Dimensions

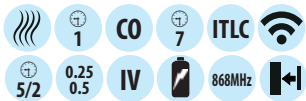


**PLUG & PLAY  
MODULE**  
No Wiring Needed



## RT510LG+5V+

Digital Programmable  
Thermostat with RF  
Boiler Receiver



Thermostat Supply:	2 x AA Batteries
Receiver Supply:	5V DC
Switching Max:	3 (1) A SPST
Receiver Output:	5V DC
Scale:	5 to 35°C
Thermostat Size (mm):	W-120 H-96 D-27
Receiver Size (mm):	W-129 H-84 D-30

## FEATURES

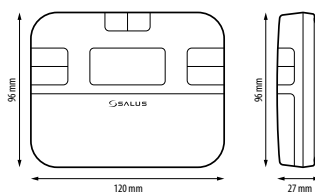
- Sleep Mode
- Programmable time and temperature scheduling
- Frost Protection
- 5 Year Warranty
- Simple Operation
- Manual mode on thermostat to disable schedule
- Heating Boost Mode
- Holiday Mode
- Contemporary design
- Easy Installation
- ITLC (Internal Temperature Load Compensation)



### Features of receiver

- Plug in connections
- Volt free contacts
- Manual override control
- LED status indication
- Frequency 868 MHz with 30 metre range

### Product Dimensions

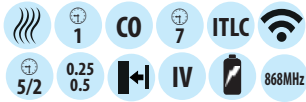


**PLUG & PLAY  
MODULE**  
No Wiring Needed



# RT510WBC+

Digital Programmable Thermostat with RF Boiler Receiver



Compatible with Worcester Bosch boilers.

Thermostat Supply:	2 x AA Batteries
Receiver Supply:	24V DC
Switching Max:	3 (1) A SPST
Receiver Output:	24V DC
Scale:	5 to 35°C
Thermostat Size (mm):	W-120 H-96 D-27
Receiver Size (mm):	W-130 H-108 D-25

## FEATURES

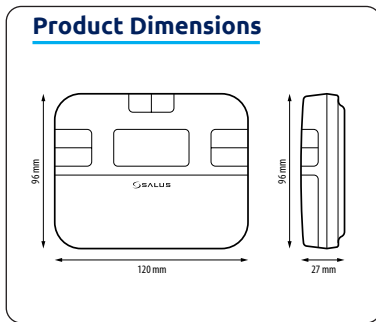
- Sleep Mode
- Programmable
- Frost Protection
- 5 Year Warranty
- Simple Operation
- Manual mode on thermostat to disable schedule
- Heating Boost Mode
- Holiday Mode
- Contemporary design
- Easy Installation
- ITLC (Internal Temperature Load Compensation)



## Features of receiver

- Plug in connections
- LED status indication
- Manual override control
- Frequency 868 MHz with 30 metre range

01  
Thermostats



**PLUG & PLAY  
MODULE**  
No Wiring Needed



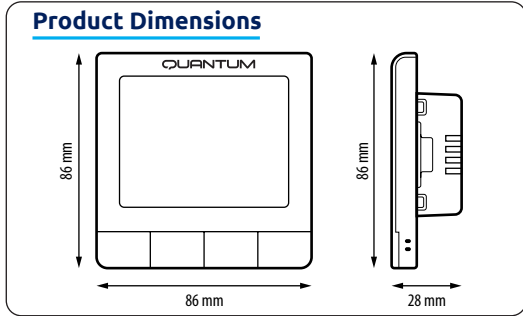
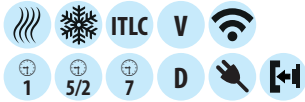
# Compatibility Chart

	ALPHA	BAXI	HALSTEAD	POTTERTON	VOKERA	MAIN	IDEAL	SIME	BIASI
<b>RT510BC RXBC605</b>	CB Range	Duo Tec HE	Ace	Performa HE	Linea	25 Eco	i-combi	Ecofort HE	Advance Plus Combi
	CD Range	Platinum HE	Ace High	Promax HE Plus	Linea HE	30 Eco	Pro-combi		
	HE Range	Instant 105E	Finest Platinum	Gold HE	Mynute HE	System 24 Eco	i-mini		
	Intech C	Maxflow WM	Eden CB	Suprima HE	Mynute EHE	System 28 Eco	Esprit		
	Intech GS	130 HE	Quatro Gold	Heatmax Combi HE	Synergy	30 HEw			
	Eco Combi	133 HE			Hydra	Eco Elite			
	E-Tec Range	EcoBlue + Combi				Maxin			
	EcoBlue Advance Combi				Compact HE				

	WORCESTER BOSCH	LG+5V
<b>RXWBC605</b>	Greenstar i Range	Logic
	Greenstar CDi Clasic Combi Range	Logic +
<b>RT510WBC</b>	Greenstar CDi Compact Combi Range	Logic Max
	Greenstar Si Compact Range	Vogue
	Greenstar Highflow CDi Combi Range	Vogue Max

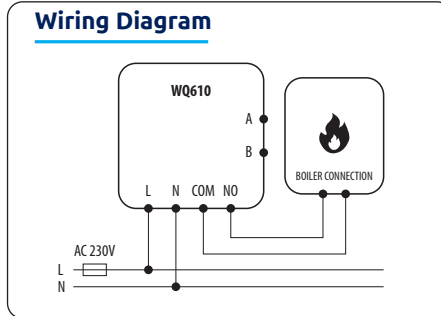
# WQ610

Ultra-slim, Wired, Programmable, Boiler Plus compliant thermostat



## FEATURES

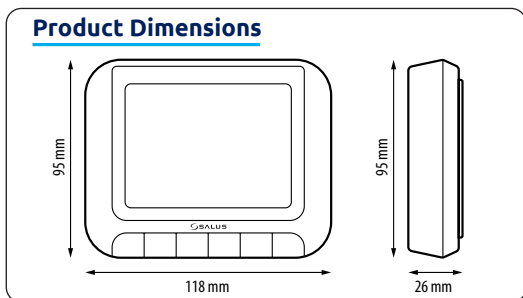
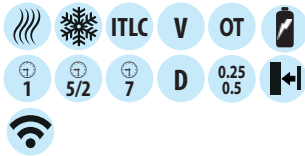
- 230V AC
- Large LCD
- Programmable
- OpenTherm
- ITLC (Internal Temperature Load Compensation)
- Hysteresis  $\pm 0.5 / \pm 0.25$
- 5 Year Warranty



Power Source:	230V AC
Operating Temperature:	0 to 50 °C
Dimensions (mm):	L-87,6 x H-55,7

# RT520

Programmable Wired Digital Room Thermostat with large LCD



## FEATURES

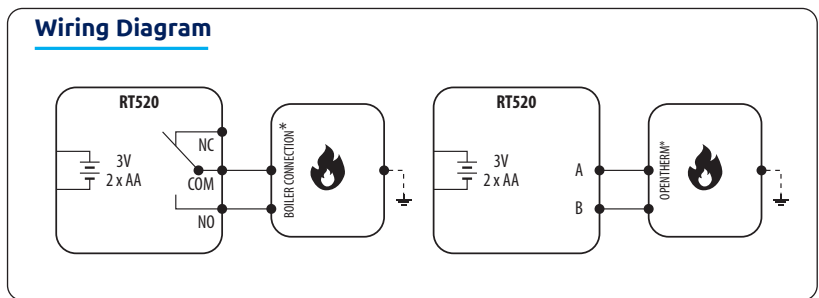
- Load Compensation
- Optimisation Functions
- New Larger, clear, easy to read LCD
- ITLC (Internal Temperature Load Compensation)
- ErP Rating V
- Service Mode
- Landlord PIN
- Easy Installation
- Simple Operation
- Battery Operated
- 5 Year Warranty



Power Source	2 x AA Batteries
Rating Max:	3 (1) A SPST
Input/Output:	0 - 230V
Scale:	5 to 33.5°C
Dimensions (mm):	W-118 H-95 D-26

### Wiring

A and B	OpenTherm
NC	Switched Live OFF
NO	Switched Live ON
COM	Common Terminal



# RT510+

Programmable Wired Digital Room Thermostat

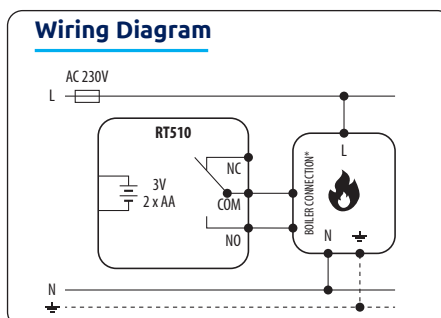
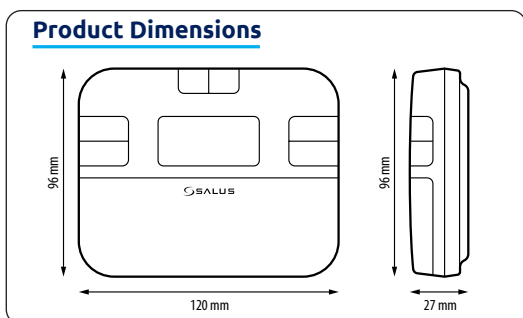


### Wiring

COM	Common Terminal
NC	Switched Live OFF
NO	Switched Live ON

## FEATURES

- Switching volt free and 230V
- Sleep Mode
- Programmable time and temperature scheduling
- Frost Protection
- Simple Operation
- Manual mode on thermostat to disable schedule
- Heating Boost Mode
- Holiday Mode
- Contemporary design
- Easy Installation
- ITLC (Internal Temperature Load Compensation)
- Boiler Plus Compatible
- 5 Year Warranty



Power Source	2 x AA Batteries
Switching Max:	3 (1) A SPST
Input/Output:	0 - 230V
Scale:	5 to 35°C
Dimensions (mm):	W-120 H-96 D-27



## RT310

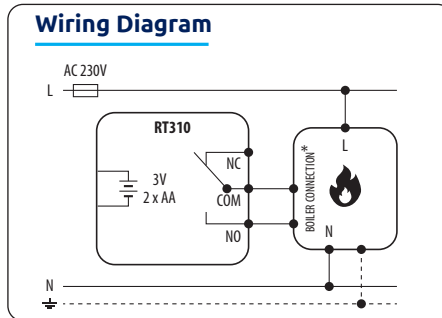
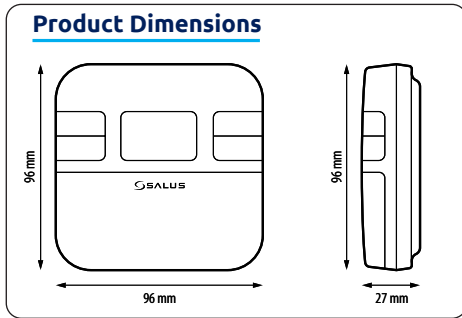
Wired Digital Room Thermostat



### FEATURES

- Switching volt free and 230V
- Sleep Mode
- Frost Protection
- 5 Year Warranty
- Simple Operation
- Contemporary design
- Easy Installation
- 5 Year Warranty

Power Source	2 x AA Batteries
Switching Max:	3 (1) A SPST
Input/Output:	0 - 230V
Scale:	5 to 35°C
Dimensions (mm):	W-96 H-96 D-27



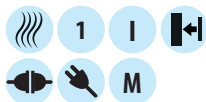
Wiring

COM	Common Terminal
NC	Switched Live OFF
NO	Switched Live ON

01  
Thermostats

## RT100

Mechanical Room Thermostat



### FEATURES

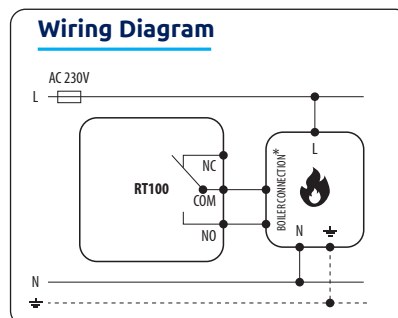
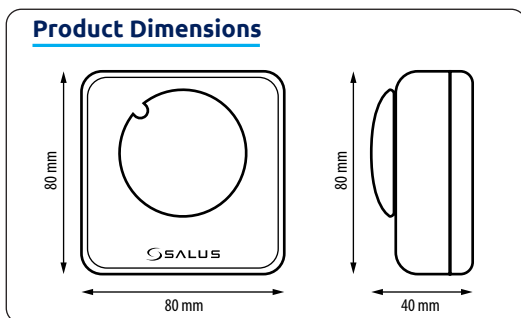
- Switching volt free and 230V
- Suitable for replacement market
- Simple control
- 2 wire installation
- 5 Year Warranty

Power Source	0 - 230V
Rating Max:	1 A SPDT
Scale:	10 to 30°C
Dimensions (mm):	W-73 H-73 D-38



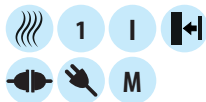
Wiring

NC	Switched output
COM	Live input
NO	Switched output



## RT200

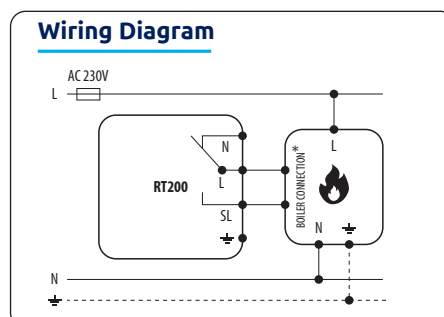
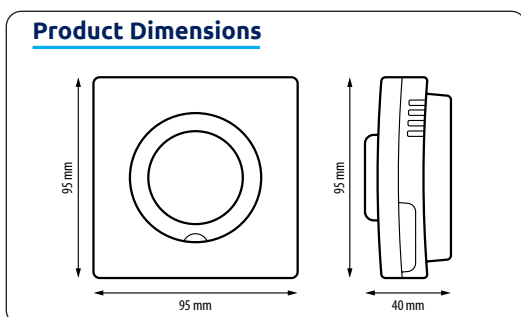
Electronic Room Thermostat



### FEATURES

- LED indication for heating demand
- Industry standard back plate for ease of installation
- Can only be used for 230V applications.
- Stylish appearance
- Simple operation
- 5 Year Warranty

Power Source	230V AC 50Hz
Rating Max:	3 (1) A SPST
Output:	230V AC 50Hz
Scale:	5 to 35°C
Dimensions (mm):	W-95 H-95 D-40



Wiring

N	Neutral connection
L	Live connection
SL	Switch live output
⊕	Earth

# FT100

Frost Thermostat



## FEATURES

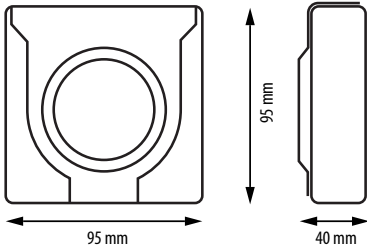
- Can only be used for 230V applications.
- LED indicator for heating demand
- Large dial
- Simple operation
- Tamper proof cover
- 5 Year Warranty

### Wiring

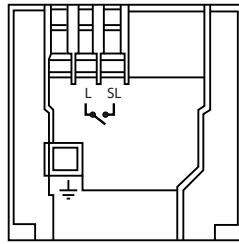
N	Neutral connection
L	Live connection
SL	Switch live output
	Earth



### Product Dimensions



### Wiring Diagram



Power Source	230V AC 50Hz
Rating Max:	3 (1) A SPST
Output:	230V AC 50Hz
Scale:	-10 to 20°C
Dimensions (mm):	W-95 H-95 D-40

# Join the SALUS club!

Would you like to be a member of the SALUS installer club? As a member of this elite club we will put you in contact with other members via a closed Facebook group, you will receive exclusive offers on selected products, you will get fast technical support and free training on SALUS products. You can also collect points for products purchased to claim against a range of great gifts.

We want you to feel special so we will send you on a monthly basis a special offer giving you a discount on SALUS products or a product that is due to be launched to try before anyone else.

## We want you to feel part of the team!

Contact your local SALUS sales representative for more details!



# RT310i

## Single Zone Smartphone Controlled Thermostat



### FEATURES

- Switching volt free and 230V
- Optional control via Smartphone, Tablet or PC
- Easy to use App
- Pre-paired wireless communication, so no more dip switches!
- Wall or desk mounted thermostat
- Choose to use schedule or control manually
- Adjustable frost protection when the thermostat is off
- Wireless communication test function
- Suitable for heating or cooling applications
- Holiday function
- 16 amp relay switching
- Manual override
- 5 Year Warranty



Walk through tutorials on how to use the App.



Easy to use heating or cooling control.



Simple to modify heating schedules. Choose from ALL, 5/2 or INDIVIDUAL days.

**02**  
Internet  
Thermostats

### Thermostat iT500

Power Source	2 x AA Batteries
Scale:	5 to 35 °C
Dimensions (mm):	L-96 H-96 D-27 mm

### Gateway

Power Source	5 V (adaptor included)
Dimensions (mm):	L-91 H-39 D-25 mm

Ethernet cable included

### Receiver

Power Source	230 V AC 50 Hz
Switch Rating	16(5) amp
Output	0 – 230 V
Dimensions (mm):	L-96 H-96 D-27 mm

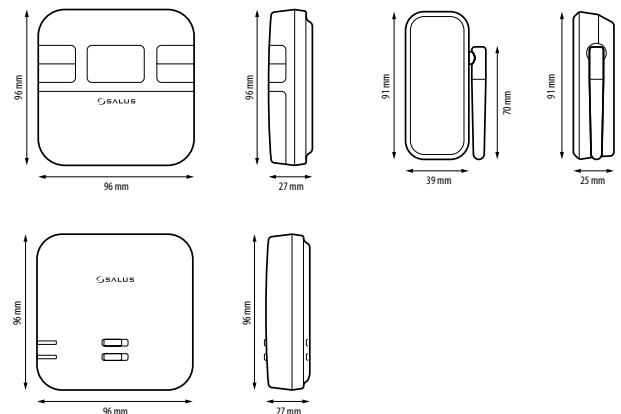


1x

One central heating zone only.

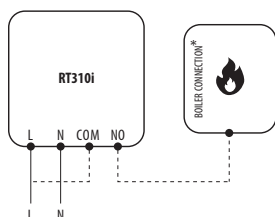


### Product Dimensions

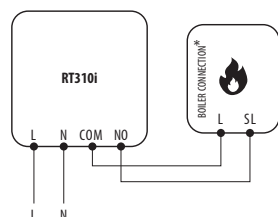


### Wiring Diagram

#### 230V Setup



#### Volt Free Setup



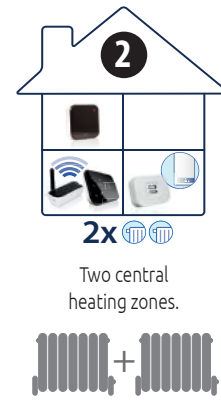
# iT500

## 2 Zone Smartphone Controlled Thermostat



### FEATURES

- Access and control your heating and hot water via the Internet
- Compatible with your Smartphone, Tablet or PC
- Your Smartphone, Tablet or PC connects to the system using your existing broadband connection
- The internal system uses 868 MHz for robust communication
- System is secure and energy efficient
- The system is wireless so it's easy to install
- 3 possible system configurations
- Switching 230V
- 2 x Volt Free Outputs
- Internet control via Smartphone, Tablet or PC
- Local control
- Wall or desk mounted thermostat
- Touch controls on thermostat
- Frequency 868 MHz
- Suitable for heating or cooling applications
- 5 Year Warranty



### Thermostat iT500

Power Source	2 x AA Batteries
Scale:	5 to 35 °C
Dimensions (mm):	L-128 H-95 D-30 mm

### Gateway iTG500

Power Source	5 V (adaptor included)
Dimensions (mm):	L-91 H-39 D-25 mm

Ethernet cable included

### Receiver iT500RX

Power Source	230 V AC 50 Hz
Switch Rating	16(5) amp
AUX (CH2/HW)	5 (2) amp
Output	0 – 230 V
Dimensions (mm):	L-145 H-100 D-35 mm

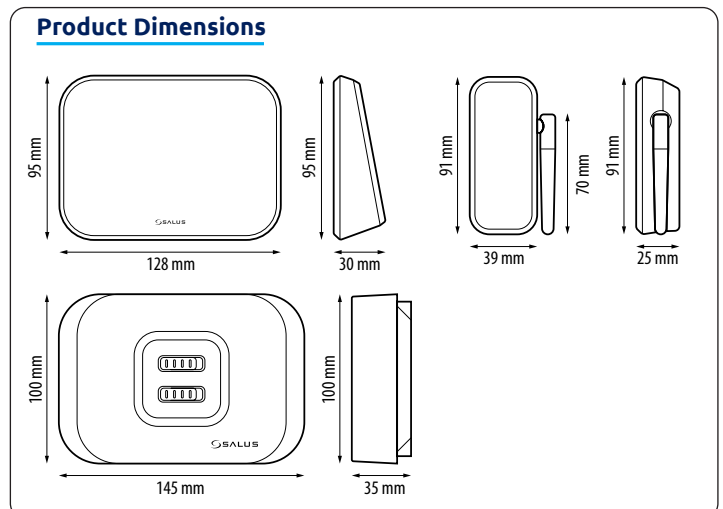
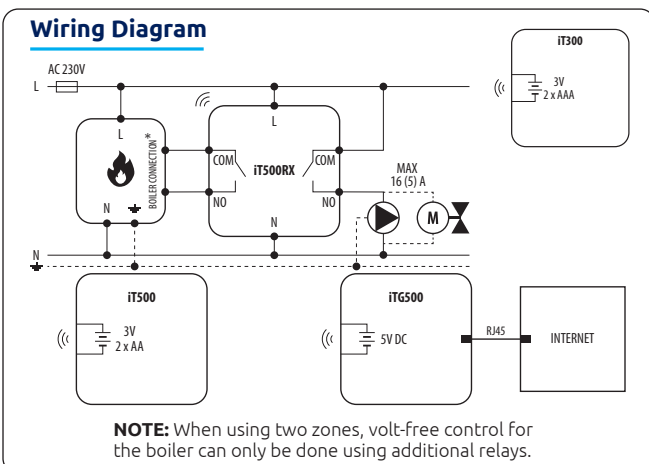
### Sensor iT300 (optional)

Power Source	2 x AAA Batteries
Dimensions (mm):	L-? H-? D-? mm

iT300 Sensor\* For use with two zone central heating. See example 2.



Sensor iT300\*





# iT500BM



For combination boilers and single heating zones only

The iT500BM can be used with any of the receivers shown below. Giving you more choice and freedom to control your heating from anywhere.



**02**  
Internet  
Thermostats

Can be used with any of these receivers...

## RXBC605

Plug-in Receiver



### FEATURES

- Plug in connections
- Manual override control
- LED status indication
- Frequency 868 MHz with 30 metre range
- 5 Year Warranty

Power Source	5V DC
Rating Max:	5 (1) A SPST
Output:	0 - 230V
Dimensions (mm):	W-58 H-58 D-30

Internal boiler connections

1	Neutral connection
2	Live connection
3	Live in
4	Switched output

**Optional Boiler Plate BBP1**  
For BAXI 100, 200, 300 & 400 Range



## RXBC5V

Plug-in Receiver



### FEATURES

- No additional wiring or power supply
- Plug and play Format 2-minute installation
- Control your boiler using a Smartphone, Tablet or PC via the app (iT500)
- 5 Year Warranty

Power Source	5V DC
Output:	5V DC
Dimensions (mm):	W-58 H-58 D-30

Terminal	Identifier	Description
1	DC+	5V DC+
2	DC-	5V DC-
3	COM	Common input
4	NO	Normal open
5	NC	Normal closed

## LG+5V

Plug-in Receiver with bezel and wiring loom



Compatible with Ideal Logic Gen 2, Vogue and Zanussi Boilers

### FEATURES

- Plug in connections
- Manual override control
- LED status indication
- Frequency 868 MHz with 30 metre range
- 5 Year Warranty

Power Source	5V DC
Output:	5V DC
Dimensions (mm):	W-129 H-84 D-30

Terminal	Identifier	Description
1	DC+	5V DC+
2	DC-	5V DC-
3	COM	Common input
4	NO	Normal open
5	NC	Normal closed

## RXWBC605

Plug-in Receiver



Compatible with Worcester Bosch boilers

### FEATURES

- Plug in connections
- LED status indication
- Manual override control
- Frequency 868 MHz with 30 metre range
- 5 Year Warranty

Power Source	24V DC
Output:	24V DC
Dimensions (mm):	W-130 H-108 D-25

See compatibility chart page 11

# UG600

## Universal Gateway

### FEATURES

- LED Indication
- Connects all SALUS Smart Home products to the Smart Home app
- Cable and WiFi connection \*cable connection is needed to set up WiFi connection
- Table or wall mounted
- Wireless ZigBee communication
- 5 Year Warranty

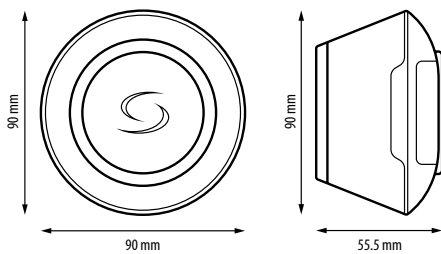
Power Supply:	5V DC over USB
Wireless Standard:	2.4 GHz ZigBee
Operating Temp:	0 to 50 °C
Dimensions (mm):	L-90 x W-90 x H-55.5



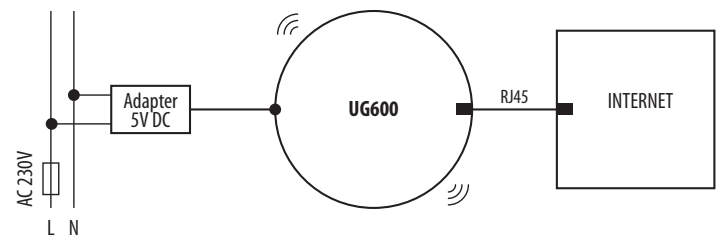
# SALUS Smart Home



### Product Dimensions

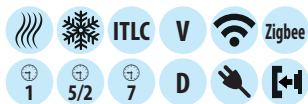


### Wiring Diagram



# SQ610

## SALUS Quantum, Ultra Slim, Wired, Smart Thermostat



**NEW PRODUCT**



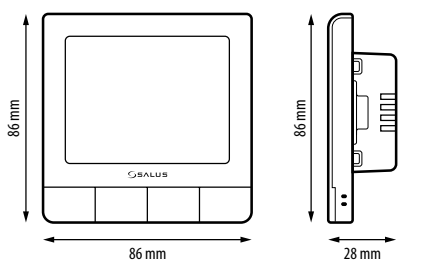
Power Supply:	230V (CA) 50 Hz
Wireless Standard:	2.4 GHz ZigBee
Operating Temp:	0 to 50 °C
Dimensions (mm):	L-88 x W-88 x H-55

### FEATURES

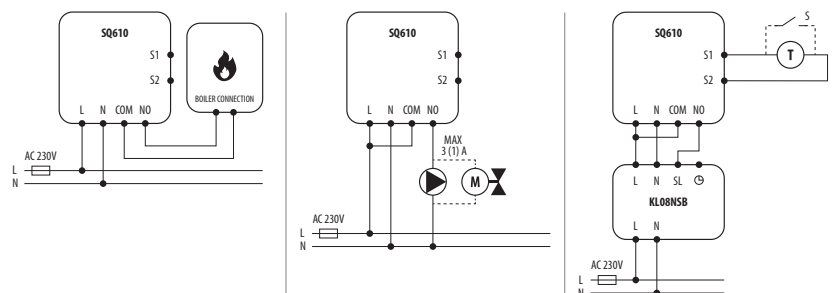
- ZigBee protocol
- Thickness outside the wall 10mm
- 230V power supply
- Large LCD screen
- Humidity sensor
- Programmable - daily, weekly or 5/2
- Hysteresis  $\pm 0.5$  and  $0.25$
- Class IV ERP
- Dry contact or 230V contact outputs
- ITLC (Internal Temperature Load Compensation)
- 2 contacts for presence sensor or external sensor / floor sensor
- Internal relay - Breaking capacity: 3 (1) A
- Control from the Smart Home app
- Heating / Cooling mode
- Operates with UG600 Gateway or independently
- 5 Year Warranty



### Product Dimensions

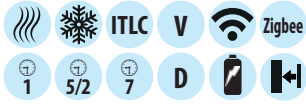


### Wiring Diagram



# SQ610RF

SALUS Quantum, Ultra Slim, Wireless, Smart Thermostat



JUST ASK amazon alexa

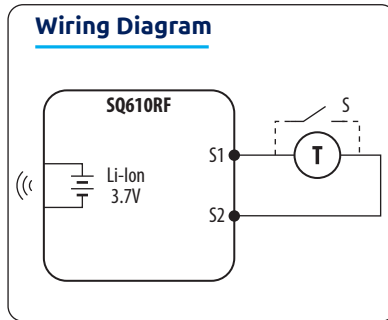
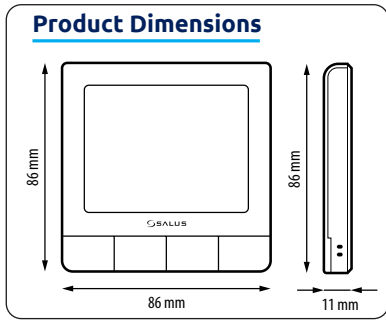
Power Supply:	5 V DC interface USB
Wireless Standard:	2.4 GHz ZigBee
Operating Temp:	0 to 50 °C
Dimensions (mm):	L-88 x W-88 x H-55

## FEATURES

- ZigBee protocol
- Just 11mm deep
- Re-chargeable Lithium Ion battery
- Large LCD screen
- Humidity sensor
- Programmable - daily, weekly or 5/2
- Hysteresis  $\pm 0.5$  and  $0.25$
- Class IV ERP
- ITLC (Internal Temperature Load Compensation)
- 2 contacts for presence sensor or external sensor / floor sensor
- Control from the Smart Home app
- Heating / Cooling mode
- Operates only with UG600 Gateway
- 5 Year Warranty



**RECHARGEABLE THERMOSTAT!**  
Up to 2 years usage from a full charge



## CDUK Quantum Charging Dock

### FEATURES

- Surface Stand
- Portable Charging Station
- Mains Powered via USB



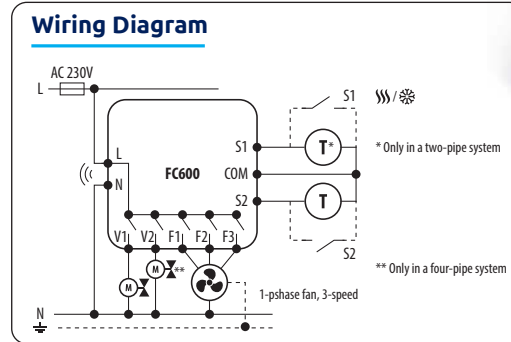
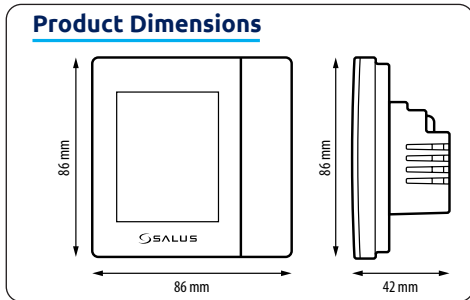
**03**  
Smart Home

# FC600

Fan Coil Thermostat

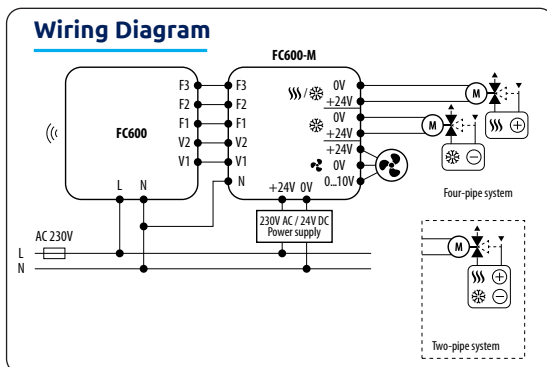
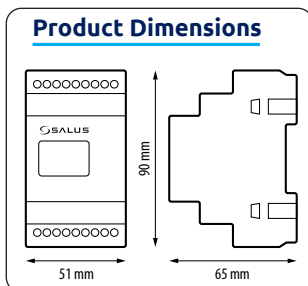


Power Supply:	230V AC
Control outputs: - Fan speed control (I, II, III gear) - Valve actuator (cooling/ heating)	230 V c.a.
Wireless Standard:	ZigBee 2.4 GHz
Temperature Range:	5 to 40 °C
Dimensions (mm):	86 x 86 x 42



# FC600M

Fan Coil Module



Power Supply:	24V DC
Inputs F1, F2, F3 Low/Medium/High fan speeds:	230V AC
Outputs - Fan power supply - Fan control - Valve outputs (heating and cooling)	24V DC; 6.5 A 0...10V 24V DC; 1 A
Mounting	DIN rail 35 m
Dimensions (mm):	51 x 90 x 6



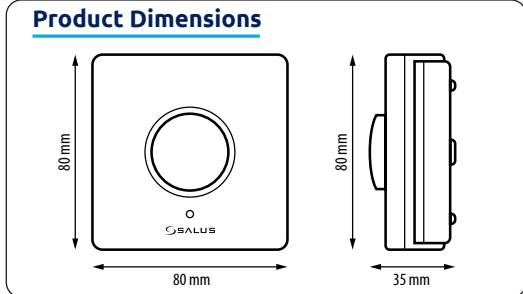
## HTR-RF(20)

Zigbee RF dial thermostat



Power Supply:	2 x AA Batteries
Scale:	5 °C – 32.5 °C
Dimensions (mm):	L-80 x H-80 x D-35

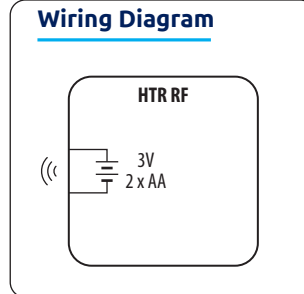
### Product Dimensions



## FEATURES

- ITLC (Internal Temperature Load Compensation)
- Traditional dial face
- Integrates with UG600
- ErP Rating IV
- Battery operated
- 5 Year Warranty

### Wiring Diagram



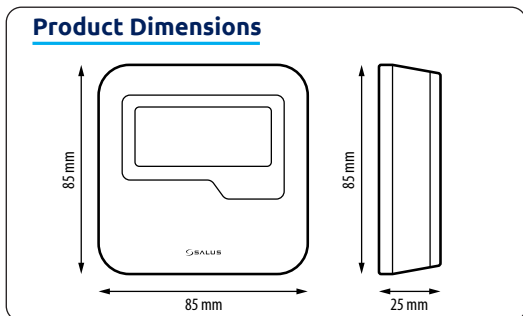
## HTRS-RF(30)

Battery Operated Smart Thermostat



Power Supply:	2 x AA Batteries
Scale:	5 °C – 32.5 °C
Dimensions (mm):	L-85 x H-85 x D-25

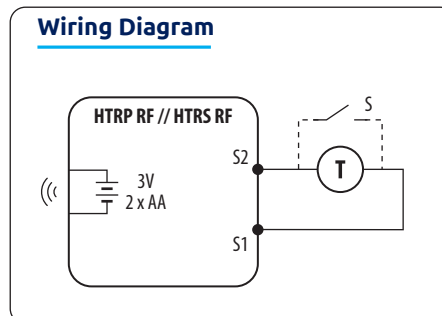
### Product Dimensions



## FEATURES

- ITLC (Internal Temperature Load Compensation)
- Clear easy to read LCD
- Integrates with UG600
- Can be used as room thermostat in a system with other programmable SALUS thermostats
- ErP Rating IV
- Pre-set override temperatures
- Optional floor temperature sensor
- Battery operated
- 5 Year Warranty

### Wiring Diagram



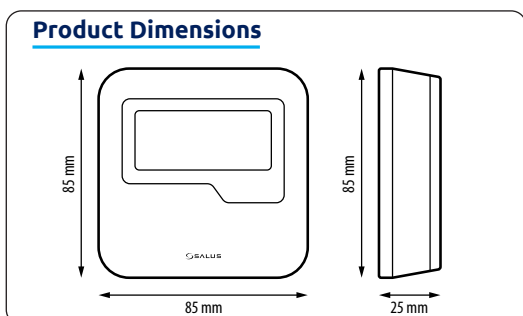
## HTRP-RF(50)

Battery Operated Smart Programmable Thermostat



Power Supply:	2 x AA Batteries
Scale:	5 °C – 32.5 °C
Dimensions (mm):	L-85 x H-85 x D-25

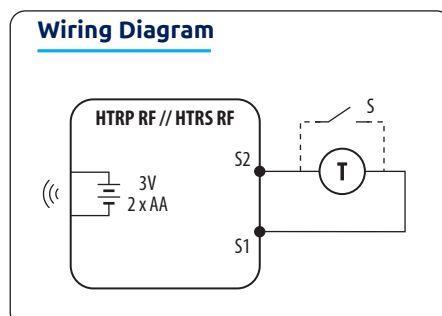
### Product Dimensions



## FEATURES

- ITLC (Internal Temperature Load Compensation)
- Clear easy to read LCD
- Integrates with UG600
- Can be used as room thermostat in a system with other programmable SALUS thermostats
- ErP Rating IV
- Fully programmable
- Pre-set override temperatures
- Optional floor temperature sensor
- Battery operated
- 5 Year Warranty

### Wiring Diagram



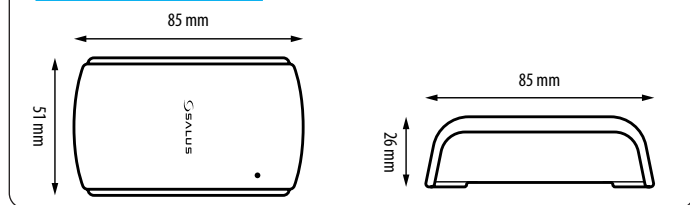
# TS600

App controlled thermostat



Power Supply:	2 x AA Batteries
Wireless Standard:	ZigBee 2.4 GHz
Scale:	5°C to 32.5°C
Dimensions (mm):	L-51 x H-85 x D-26

## Product Dimensions

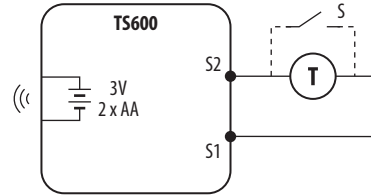


## FEATURES

- Stylish, compact, surface mounted solution
- ITLC (Internal Temperature Load Compensation)
- LED indication
- Optional external sensor
- App Only Interface
- Clear and Easy to use
- Controls up to three SALUS Smart Radiator controls (TRVs) in a zone
- Control only via the SALUS Smart Home App
- 5 Year Warranty



## Wiring Diagram

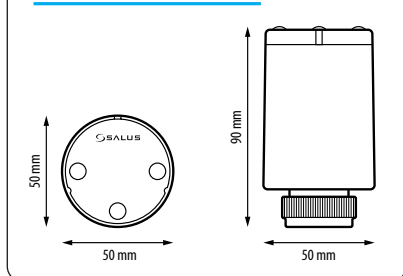


# TRV10RFM

Smart Radiator Valve

Power Supply:	2 x AA Batteries
Thread Type:	M30 x 1.5mm
Dimensions (mm):	W-50 x H-90 x D-50

## Product Dimensions



## FEATURES

- Automatic valve adaptation
- Easy wireless pairing
- Manual on/off buttons
- LED status indication
- Buttons can be locked
- Frost protection function
- Open window detection function
- Limescale protection function
- Optional mounting ring
- 5 Year Warranty



03  
Smart Home

## Installation

Unscrew and remove the old valve anticlockwise.



Push on the new valve and tighten clockwise.



## Accessory

**TP28-30 Tamper proof jacket**  
Can be used to prevent unauthorised removal of device. Perfect for use in schools & offices.

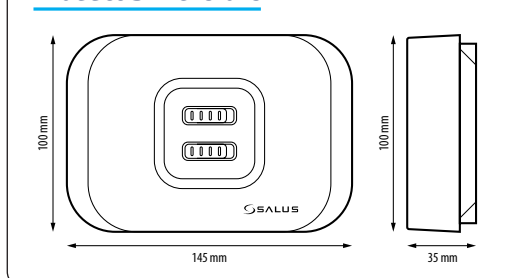


# RX10RF

Boiler Receiver

Power Supply:	230 V AC 50 Hz
Rating Max:	16 (5) A SPST
Input/Output:	0 – 230V
Dimensions (mm):	L-145 H-100 P-35

## Product Dimensions

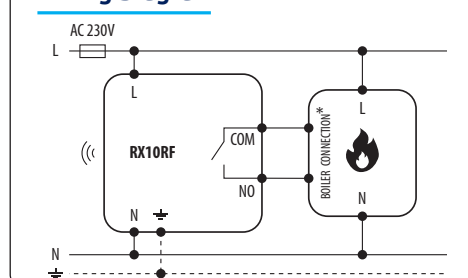


## FEATURES

- Switching volt free and 230V (using a bridge)
- Manual Mode
- LED indicators
- Can be used as boiler receiver or individual zone receiver
- 5 Year Warranty



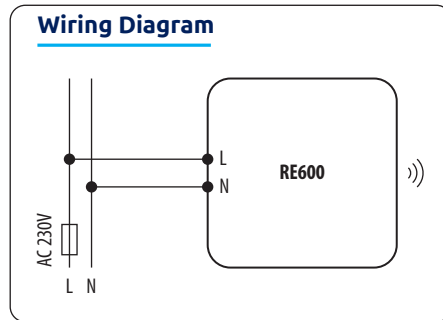
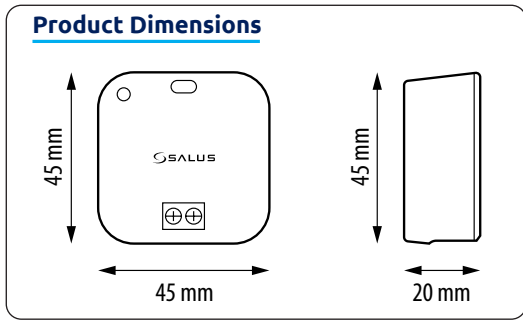
## Wiring Diagram





# RE600

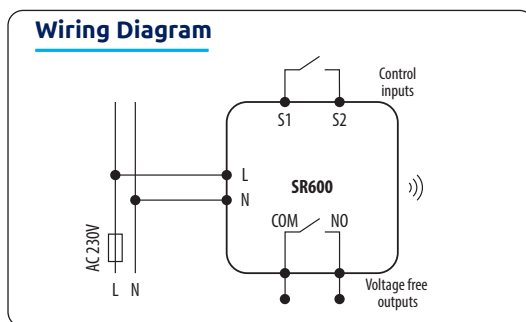
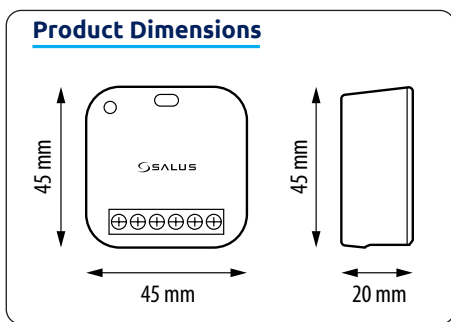
ZigBee Repeater



Power Supply:	230V AC 50 Hz
Wireless Standard:	ZigBee 2.4 GHz
Dimensions (mm):	L-45 x H-45 x D-20

# SR600

Smart Relay

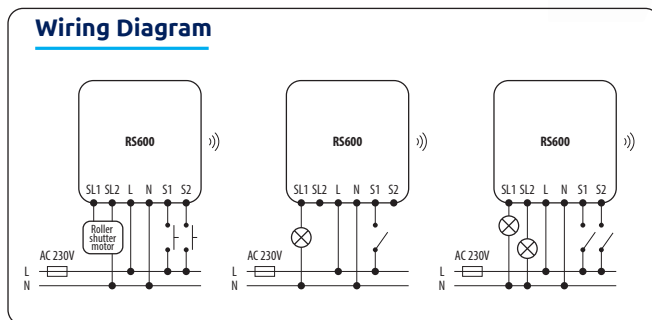
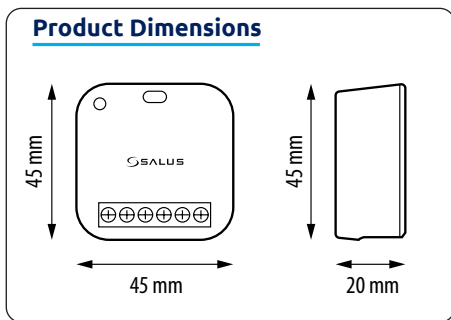


Power Supply:	230V AC 50 Hz
Max Current:	16 A
Wireless Standard:	ZigBee 2.4 GHz
Dimensions (mm):	L-45 x H-45 x D-20

# RS600

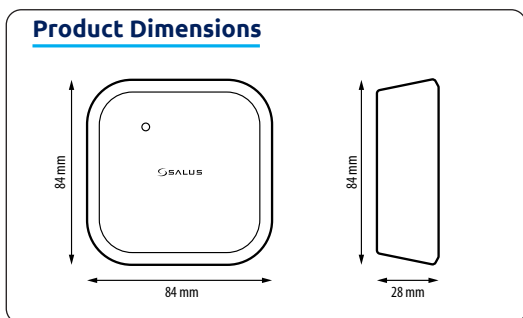
Roler Shutter Relay

Power Supply:	230V AC 50Hz
Max Current:	2x 5A (2)
Wireless Standard:	ZigBee 2.4 GHz
Dimensions (mm):	L-45 H-45 D-20



# SRS600

Surface Mount Bracket

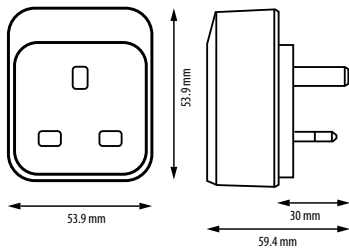


## SP600

Smart Plug



### Product Dimensions



### FEATURES

- Easily time program each socket
- Remotely disable outlet rather than running in costly standby mode
- Monitor energy usage of outlet
- Can be linked to other devices via Smart Home rules engine
- Electric heating applications
- Small and discreet
- 5 Year Warranty

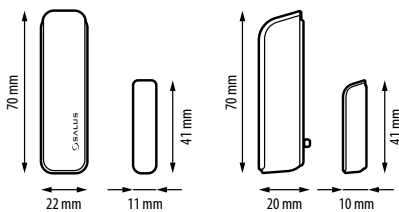
Power Supply:	230V AC 50 Hz
Wireless Standard	ZigBee 2.4 GHz
Operating Temperature:	-10°C to 50°C
Amp rating:	13A
Dimensions (mm):	L-49 x H-60 x D-36



## SW600

Slim Window/Door Sensor

### Product Dimensions



### FEATURES

- Alert via the Smart Home app when a window/door is opened
- Can increase efficiency of heating system when used with SALUS Smart Home thermostats via Smart Home rules engine
- Can be linked to other devices via Smart Home rules engine
- 5 Year Warranty

Power Supply:	1 x CR2 3V Battery
Wireless Standard:	ZigBee 2.4 GHz
Operating Temperature:	0 to 40 °C
Dimensions Sensor (mm):	L-20 x H-70 x D-15
Dimensions Magnet (mm):	L-10 x H-40 x D-10



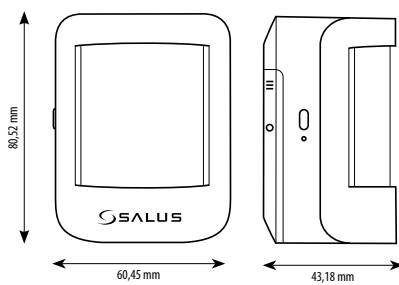
03

Smart Home

## MS600

Smart Motion Sensor

### Product Dimensions



### FEATURES

- ZigBee protocol - Smart Home compatible
- Battery power supply –1x CR123A (3V)
- Detection angle: 80 (not adjustable)
- Detection range: 8m
- 5 Year Warranty

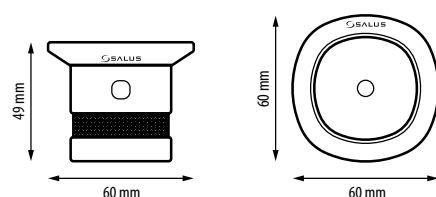
Power Supply:	1 x 3VDC, CR123A
Wireless Standard:	ZigBee 2.4 GHz
Operating Temperature:	0 °C to 40 °C
Dimensions (mm):	L-60 x H-80 x D-43



## SD600

Smart Smoke Detector

### Product Dimensions



### FEATURES

- ZigBee protocol - Smart Home compatible
- Battery power supply –1x CR123 (3V)
- Sound alert > 80 decibels / 3 meters
- 5 Year Warranty

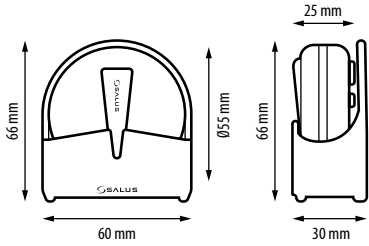
Power Source:	1x CR123A Battery
Wireless Standard:	Zigbee 2.4 GHz
Battery Life	5 years
Dimensions (mm):	L-60 H-60 D-49



## WLS600

### Smart Water Leak Sensor

#### Product Dimensions



#### FEATURES

- ZigBee Protocol - Smart Home compatible
- Battery power supply - 1x CR2 (3V)
- Length of the external sensor - 2 m
- Waterproof
- 5 Year Warranty

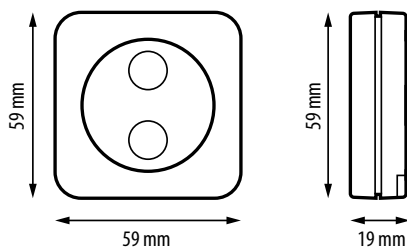
Power Source:	1x CR2 Battery
Wireless Standard:	Zigbee 2.4 GHz
Battery Life:	5 years
Dimensions (mm):	Ø-55 H-25



## SB600

### Smart Button

#### Product Dimensions



#### FEATURES

- Smart Button to activate One Touch Rule
- 2 Button Operation for 2 commands
- Battery operated for ease of locating
- Long Battery Life
- 5 Year Warranty

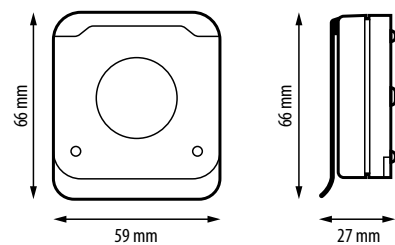
Power Source:	2 x AAA Batteries
Wireless Standard:	Zigbee 2.4 GHz
Dimensions (mm):	L-59 H-59 D-18



## CSB600

### Protective Smart Button

#### Product Dimensions



#### FEATURES

- Covered override button to activate One Touch Rule
- 1 Button Operation for single command
- Battery operated for ease of locating
- Long Battery Life
- 5 Year Warranty

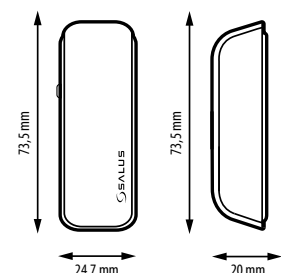
Power Source:	2 x AAA Batteries
Wireless Standard:	Zigbee 2.4 GHz
Dimensions (mm):	L-59 H-68 D-23



## PS600

### Pipe Sensor

#### Product Dimensions



#### FEATURES

- Pipe Temperature Sensor
- Smart connected sensor
- One touch rule compatible
- Relay switching via OneTouch rule
- ZigBee protocol - Smart Home compatibility
- Battery power supply - 1x CR2 (3V)
- External sensor length - 470mm
- 5 Year Warranty

Power Source:	1 x CR2 Battery
Wireless Standard:	Zigbee 2.4 GHz
Measuring range:	-50°C - 100°C
Cable length:	470 mm
Dimensions (mm):	L-59 H-68 D-23



# Smart Home Heating Packs

## SH-BASE

You can start building your SALUS Smart Home system by purchasing the SH-BASE heating base pack. This will allow you to control a single zone heating system from anywhere from your smart device. Then from there you can extend your system by adding additional thermostats and TRV's with the SH-TRV pack, giving you the ability to control multiple zones and even individual rooms. We also have a full range of additional smart devices designed to make life easier which work individually or with other devices in the range by setting up smart rules.



### Pack contains:

- 1x UG600 Universal Gateway
- 1x SQ610RF Thermostat
- 1x RX10RF Boiler Receiver



03  
Smart Home

## SH-TRV

Control additional zones and even individual room control from anywhere using your smart device and the SALUS Smart Home app. Each SQ610RF thermostat can control up to 6 TRV's in a particular zone or an individual room.

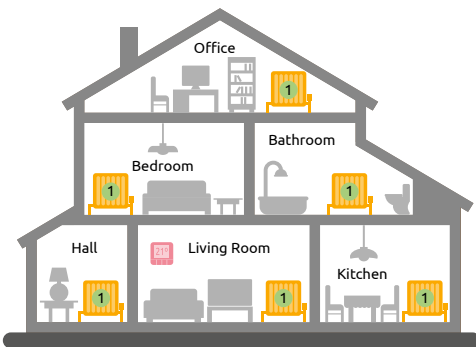
### Pack contains:

- 1x SQ610RF Thermostat
- 1x TRV10RFM Radiator Valve\*

\*Additional TRV10RFM Radiator Valves can be purchased seperately

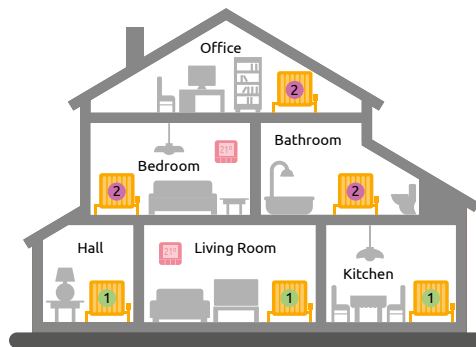


## SYSTEM EXAMPLES



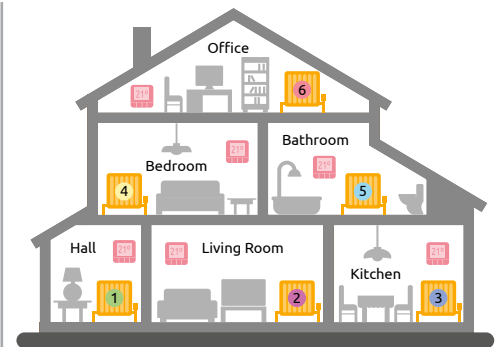
### System 1:

This requires the SH-Base pack with an additional 5 TRV10RFM radiator valves. This system is acting as a single zone property.



### System 2:

This requires the SH-Base pack along with an SH-TRV pack and an additional 4 TRV10RFM radiator valves. This system is acting as a two zone property.



### System 3:

This requires the SH-Base pack with an additional 5 SH-TRV packs. This system is acting as a multi zone property and gives individual room control.

# Mix & Match Range

SALUS Mix and Match range allows the user to choose the thermostat that best fits their requirements with the receiver most appropriate for their boiler type, including the 2-minute install plug-in units.



RT520TX  
Thermostat



RT510TX+  
Thermostat



iT500BM  
Thermostat



RXBC605  
Receiver



RXRT510  
Receiver



SR868  
Receiver



RXWBC605  
Receiver



LG+5V  
Receiver



## RT520TX

Programmable Wired  
Digital Room Thermostat  
with large LCD



### FEATURES

- Load Compensation (OpenTherm Compatible)
- Optimisation Functions
- New Larger, clear, easy to read LCD
- ITLC (Internal Temperature Load Compensation)
- ErP Rating V
- Service Mode
- Landlord PIN
- Easy Installation
- Simple Operation
- Battery Operated
- 5 Year Warranty

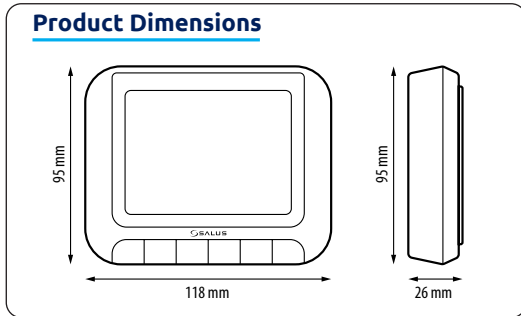


Power Source	2 x AA Batteries
Rating Max:	3 (1) A SPST
Input/Output:	0 - 230V
Scale:	5 to 33.5°C
Dimensions (mm):	W-118 H-95 D-26

#### Wiring

A and B	OpenTherm
NC	Switched Live OFF
NO	Switched Live ON
COM	Common Terminal

#### Product Dimensions



04

Mix & Match  
Range

## RT510TX+

Programmable Wireless  
Digital Room Thermostat



#### Wiring

COM	Common Terminal
NC	Switched Live OFF
NO	Switched Live ON

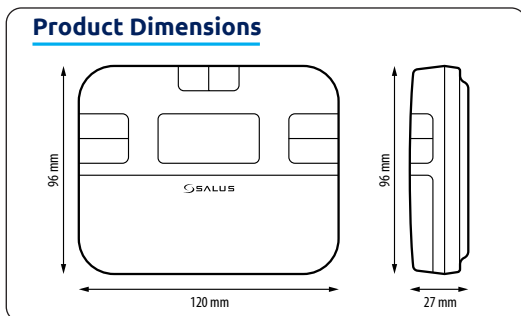
Power Source	2 x AA Batteries
Scale:	5 to 35°C
Dimensions (mm):	W-120 H-96 D-27



### FEATURES

- Sleep Mode
- Programmable time and temperature scheduling
- Frost Protection
- Desk Stand
- 5 Year Warranty
- Simple Operation
- Frequency 868 MHz with 30 metre range
- Manual mode on thermostat to disable schedule
- Heating Boost Mode
- Holiday Mode
- Manual override
- Contemporary design
- RF Test Function
- Easy Installation
- ITLC (Internal Temperature Load Compensation)
- Boiler Plus Compatible
- 5 Year Warranty

#### Product Dimensions



# iT500BM

Digital Internet  
Thermostat



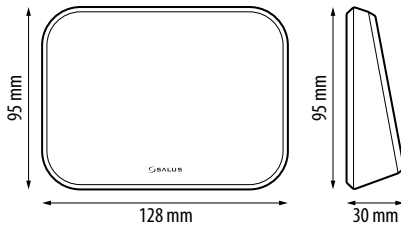
\*Can only be used with RXVC605, RXWBC605, RXBC605, RXBC5V and LG+5V

## FEATURES

- Wall or surface mount thermostat
- Touch controls
- Heat/Cool
- Built-in start up programming for quick installation
- Frequency 868 MHz with 30 metre range
- 5 Year Warranty



### Product Dimensions

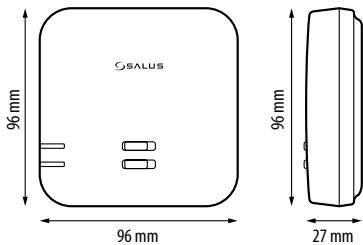


Power Source	2 x AA Batteries
Scale:	5 to 35°C
Dimensions (mm):	W-128 H-95 D-30

# RXRT510

Wireless Receiver

### Product Dimensions



Standard RF boiler receiver compatible with most common boilers and any Thermostat in the Mix and Match Range (except the iT500BM). Can be used for volt free and 230V applications.

## FEATURES

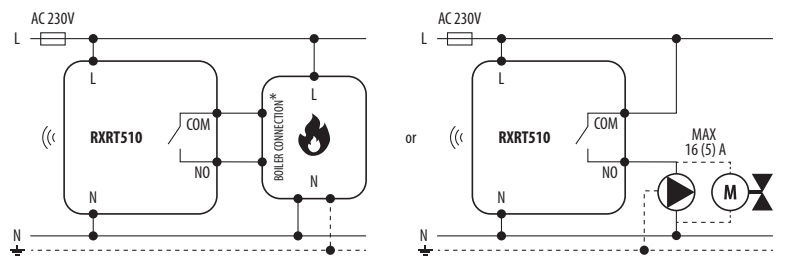
- Manual override control
- LED status indication
- Frequency 868 MHz with 30 metre range
- 5 Year Warranty

Power Source	230V AC 50Hz
Rating Max:	16 (5) A SPST
Input/ Output:	0 to 230V
Dimensions (mm):	W-96 H-96 D-27

### Wiring

L	Live connection
N	Neutral connection
COM	Input
NO	Switched output

### Wiring Diagram



## RXBC605

Plug-in Receiver



### FEATURES

- Plug in connections
- Manual override control
- LED status indication
- Frequency 868 MHz with 30 metre range
- 5 Year Warranty

### Optional Boiler Plate BBP1

For BAXI 100, 200, 300 & 400 Range



Power Source	230V AC 50Hz
Rating Max:	5 (1) A SPST
Output:	0 - 230V
Dimensions (mm):	W-58 H-58 D-30

Internal boiler connections

1	Neutral connection
2	Live connection
3	Live in
4	Switched output

## RXBC5V

Plug-in Receiver



### FEATURES

- No additional wiring or power supply
- Plug and play format 2-minute installation
- Control your boiler using a Smartphone, Tablet or PC via the app (iT500)
- 5 Year Warranty

Power Source	5V DC
Output:	5V DC
Dimensions (mm):	W-58 H-58 D-30

Terminal	Identifier	Description
1	DC+	5V DC+
2	DC-	5V DC-
3	COM	Common input
4	NO	Normal open
5	NC	Normal closed

## LG+5V

Plug-in Receiver with bezel and wiring loom

Compatible with Ideal Logic Gen 2, Vogue and Zanussi Boilers



### FEATURES

- Plug in connections
- Manual override control
- LED status indication
- Frequency 868 MHz
- 30 metre range
- 5 Year Warranty

Power Source	5V DC
Output:	5V DC
Dimensions (mm):	W-129 H-84 D-30

Terminal	Identifier	Description
1	DC+	5V DC+
2	DC-	5V DC-
3	COM	Common input
4	NO	Normal open
5	NC	Normal closed

04

Mix & Match Range

## RXWBC605

Plug-in Receiver

Compatible with Worcester Bosch boilers



### FEATURES

- Plug in connections
- LED status indication
- Manual override control
- Frequency 868 MHz with 30 metre range
- 5 Year Warranty

Power Source	24V DC
Output:	24V DC
Dimensions (mm):	W-130 H-108 D-25

## SR868

868MHz Wireless Relay



### FEATURES

- Industry leading 16A max current
- Wireless communication
- Compact Size
- Internet connectable (RT310ISR)
- 5 Year Warranty

Power Source:	230 V AC 50Hz
Max Current:	16 (5) A
Wireless Standard:	868 MHz
IP Rating	IP30
Dimensions (mm):	W-45 H-45 D-26

# ERT20RF

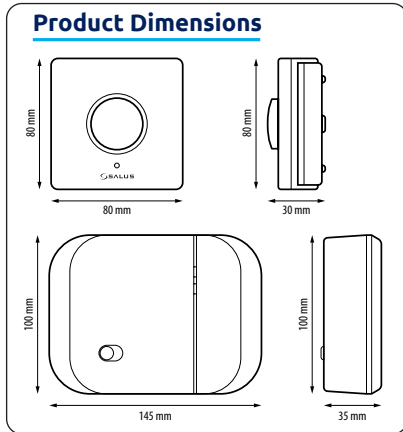
Electronic Thermostat with RF



Thermostat Supply:	2 x AA Batteries
Receiver (Rx) Supply:	230V AC 50Hz
Rx Rating Max:	16 (5) A SPST
Rx Input/Output:	0 - 230V
Thermostat Scale:	5 to 30°C
Thermostat Size(mm):	W-80 H-80 D-30
Receiver Size (mm):	W-145 H-100 D-35

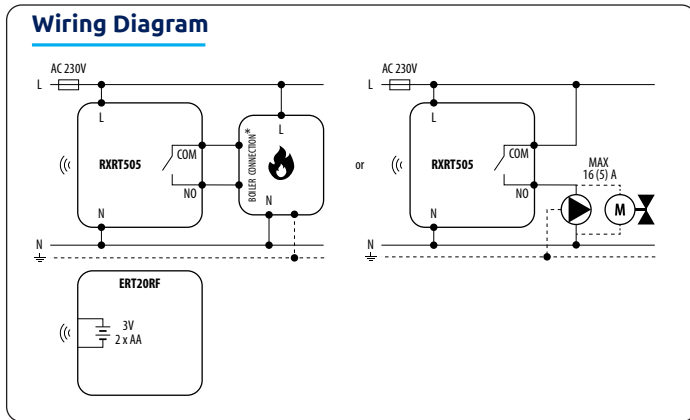
## FEATURES

- Switching volt free and 230V
- Wall mount thermostat
- User friendly dial
- Simple to use
- 16 amp relay switching
- LED Indication
- 5 Year Warranty



### RF Receiver Wiring

N	Neutral connection
L	Live connection
COM	Input
NO	Switched Output



# INSTALLER Technical Support!

We want you as an installer to feel confident when fitting SALUS products. We have a dedicated technical support team that are happy to assist with any questions relating to your SALUS product or installation.

## Please contact us on:

Website:  
**www.salus-tech.com**

Email:  
**techsupport@salus-tech.com**

Telephone:  
**01226 323961**

# PROGRAMMERS

## EP110

Single Channel Programmer

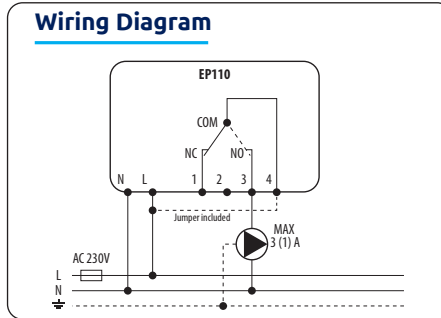
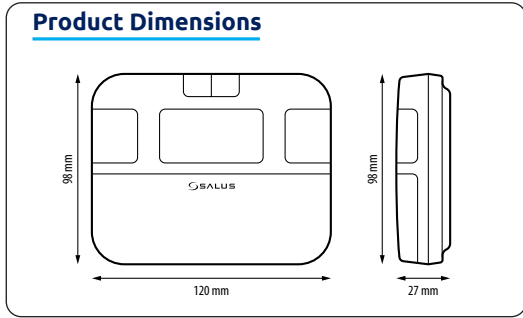


### FEATURES

- Switching volt free and 230V
- Timed control for central heating or hot water
- 3 On/Off periods
- Large, easy to read LCD
- Holiday function
- Advance function
- Boost function
- Simple installation
- Default program
- 5 Year Warranty

### Wiring

N	Neutral connection
L	Live connection
(1)	NC terminal
(3)	Switched output NO
(4)	Common connection



Power Source	230V AC 50Hz
Rating Max:	3 (1) A SPDT
Output:	0 - 230V
Dimensions (mm):	W-120 H-98 D-27

## EP210

Two Channel Programmer



### FEATURES

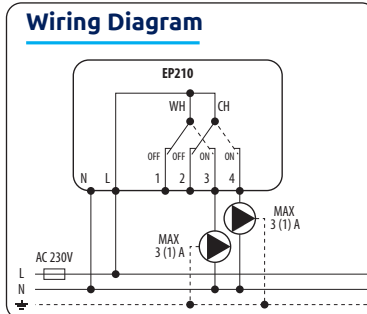
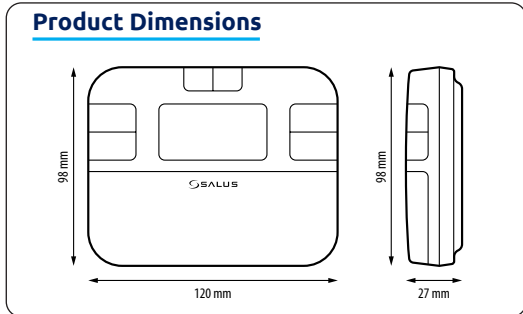
- Can only be used for 230V applications.
- Individual control of central heating and hot water
- 3 On/Off periods
- Large, easy to read LCD
- Holiday function
- Advance function
- Boost function
- Simple installation
- Default program
- 5 Year Warranty

### Wiring

N	Neutral connection
L	Live connection
(1)	Hot water OFF
(2)	Central heating OFF
(3)	Hot water ON
(4)	Central heating ON



**05**  
Programmers



Power Source	230V AC 50Hz
Rating Max:	3 (1) A SPDT
Output:	230V
Dimensions (mm):	W-120 H-98 D-27

## EP310

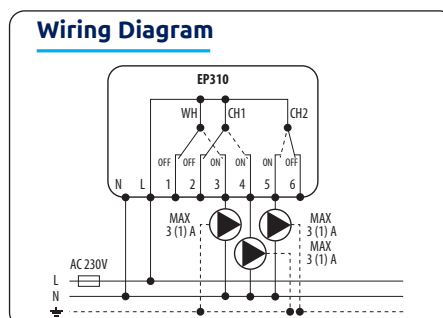
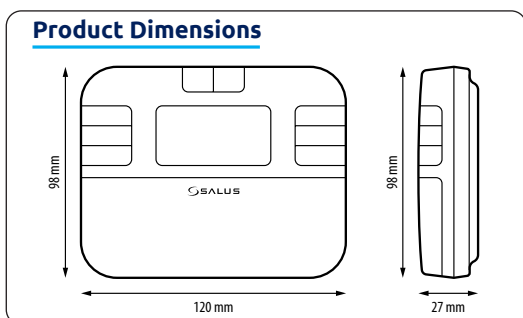
Three Channel Programmer



### FEATURES

- Can only be used for 230V applications.
- Time control for the two heating zones and hot water zone
- 3 On/Off periods
- Large, easy to read LCD
- Holiday function
- Advance function
- Boost function
- Simple installation
- Default program
- 5 Year Warranty

Supply:	230V AC 50Hz
Rating Max:	3 (1) A SPDT
Output:	230V AC 50Hz
Size (mm):	W-120 H-98 D-27



### Wiring

N	Neutral connection
L	Live connection
(1)	Hot water OFF
(2)	Central heating zone 1 OFF
(3)	Hot water ON
(4)	Central heating zone 1 ON
(5)	Central heating zone 2 ON
(6)	Central heating zone 2 OFF



## MD22A / MD22AWO

Magnetic Filter



SALUS Mag Defender, is an ultra-high efficiency, full-flow magnetic filter that cleans and protects hydronic heating systems by removing the black sludge and particles. Additional protection can be afforded with the use of SALUS' range of inhibiting, sludge removing and cleaning liquids.

**MD22A - With Inhibitor**

**MD22AWO - Without Inhibitor**

### FEATURES

- Simple installation & servicing
- Immediate results & system protection
- No running costs
- Energy saving
- 500ml capacity nylon enclosure
- Compression nylon cap with EPDM "O" ring for a perfect seal
- 20mm diameter removable neodymium magnet
- Top mounted air vent
- Vertical, base mounted ½" drain valve
- 22mm isolation valves supplied
- Easy removal of magnet
- 5 year warranty

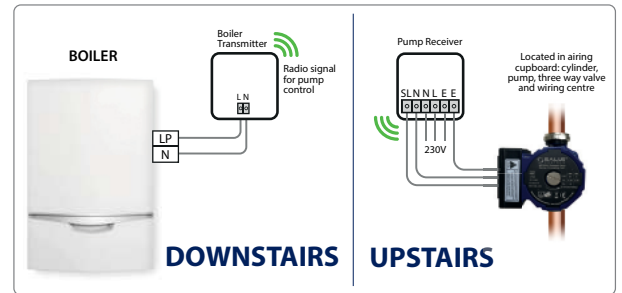
## RF Main Switch

RF Boiler Pump Switch



### FEATURES

- Can be used for any heating or electrical requirement up to 1000W
- Can be used for any domestic environment where you don't want to run wires
- No running costs
- Easy installation



## MP100A / MP200A

Energy Saving Pump



### FEATURES

- Meets EuP legislative demands
- Energy efficient pump for significant energy savings
- Variable and fixed speed operation - one pump for all jobs
- Plug and Pump - no need to open terminal box
- Comes pre-wired
- 5 year warranty

**MP100A 3-5 Metre Head**

**MP200A 4-6 Metre Head**

Voltage	230V 50Hz
Protection Grade:	IP42
MP100A:	5M Head Max
MP200A:	6M Head Max

Wiring - MP100A & MP200A

L	Live Connection
N	Neutral Connection
E	Earth Connection

## CT100

Pipe Cylinder Thermostat



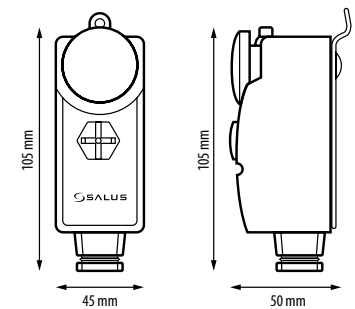
Surface mounted mechanical thermostat for controlling a domestic hot water tank.

### FEATURES

- Compatible with foam insulated tanks
- Can be used as a pipe thermostat

Power Source	230 V (AC) 50 Hz
Rating Max	16 (4) A SPDT
Output	230 V (AC) 50 Hz
Scale	40 to 80 °C
Dimensions (mm):	L-45 H-105 P-50

### Product Dimensions



## TC100

Wiring Centre



Can be used in all heating applications with links for S & Y plan systems.

### Features

- Easy to use
- Simplifies wiring
- Large terminals
- Manufactured in flame-retardant plastic
- Suitable for all heating systems

Max Supply	230V AC
Terminals	16 Terminals
Dimensions (mm):	L-230 H-127 D-42

# PMV22/28

2 Port Motorised Valve  
available in 22 and 28mm



Premium Motorised Valve used for domestic central heating and hot water systems.

### FEATURES

- Industry colour coded wiring with 1m cable
- Detachable head
- Compatible with Honeywell bodies

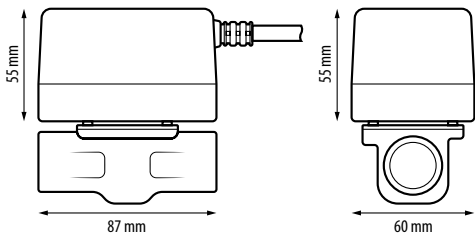
Power Source	230V AC 50Hz
Rating Max	6 (2) A
Output:	230V AC 50Hz
Dimensions (mm):	L-87 H-122 D-60

## PMVRH01

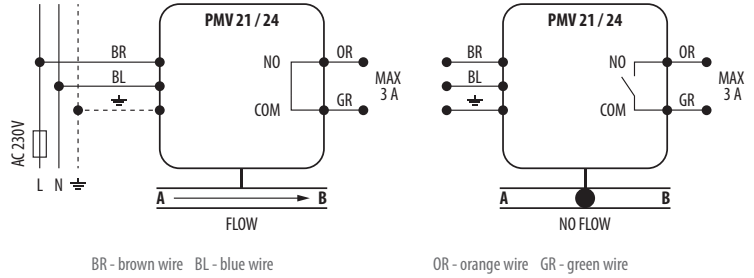
Replacement Head



### Product Dimensions



### Wiring Diagram



# PMV32/38

3 Port Motorised Valve  
available in 22 and 28mm



Premium Motorised Valve used for domestic central heating and hot water systems.

### FEATURES

- Industry colour coded wiring with 1m cable
- Detachable head
- Compatible with Honeywell bodies

Power Source	230V AC 50Hz
Rating Max	6 (2) A
Output:	230V AC 50Hz
Dimensions (mm):	L-87 H-122 D-60

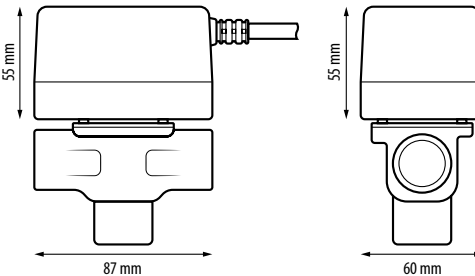
## PMVRH03

Replacement Head

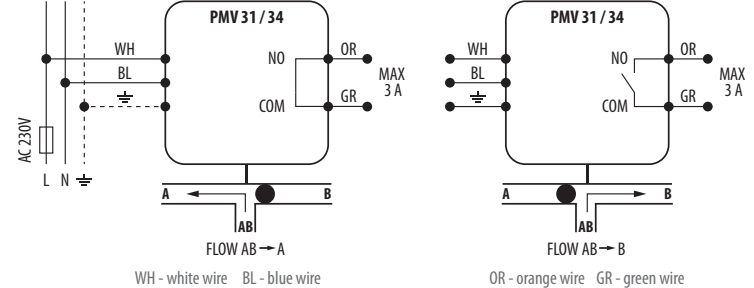


06  
Accessories

### Product Dimensions



### Wiring Diagram



## BPV100

Automatic Bypass Valve



Automatic bypass valve for domestic heating system.

### FEATURES

- Improves efficiency
- Cuts out system noises
- Maintains flow rates
- Perfect for low water content systems
- Available in 22mm only

Dimensions (mm): L-105 H-50 P-22

## TRV31LS10

Thermostatic Radiator Valves Pack



TRV pack with 5mm angled TRV, lock shields and reducers.

Maximum working pressure	10 bar
Maximum flow temperature	120°C
Maximum differential pressure	0.6 bar
Recommended differential pressure	0.2 bar
Temperature range:	6 - 29°C

Dimensions TRV (mm): H-75 W-35

Dimensions Lock Shield (mm): H-75 W-35

## TRV310A

Thermostatic Radiator Valves



Thermostatic radiator valves for various applications. 15mm angled TRV with reducer.

Maximum working pressure	10 bar
Maximum flow temperature	120°C
Maximum differential pressure	0.6 bar
Recommended differential pressure	0.2 bar
Temperature range:	6 - 29°C

Dimensions (mm): H-75 W-35

## TRV31LS5

Thermostatic Radiator Valves



TRV Pack with 15mm angled TRV, lockshield & reducers

Maximum working pressure	10 bar
Maximum flow temperature	120°C
Maximum differential pressure	0.6 bar
Recommended differential pressure	0.2 bar
Temperature range:	6 - 29°C

Dimensions TRV (mm): H-75 W-35

Dimensions Lock Shield (mm): H-75 W-35

## TRLS10

15mm Lock shield with drain off



15mm lockshield with drain off.

Maximum working pressure	10 bar
Maximum flow temperature	120°C
Maximum differential pressure	0.6 bar
Recommended differential pressure	0.2 bar
Temperature range:	6 - 29°C

Dimensions (mm): H-75 W-35

# Control Packs

**5**  
**YEAR**  
**WARRANTY**



**06**  
Accessories

We have various heating control packs available for a variety of applications. We can also supply a range of others to suit your needs.

### CP122 Unvented Heating Control Pack

EP210, PMV22, RT200, TC100

### CP322 Y Plan Control Pack

CT100, EP210, PMV32, TC100, RT200

### CP222 S Plan Control Pack

CT100, EP210, TC100, RT200, PMV22

### CP328 Y Plan Control Pack

CT100, EP210, TC100, RT200, PMV38

### CP228 S Plan Control Pack

PMV28, EP210, RT200, CT100, TC100



# Underfloor Heating Controls

If you are looking for an underfloor heating control solution we can provide the ideal system for you. We have traditional and SmartHome solutions, making SALUS your perfect underfloor heating control supplier.

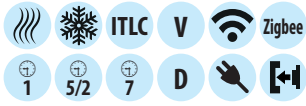






# SQ610

SALUS Quantum, Ultra Slim,  
Wired, Smart Thermostat  
for underfloor heating control

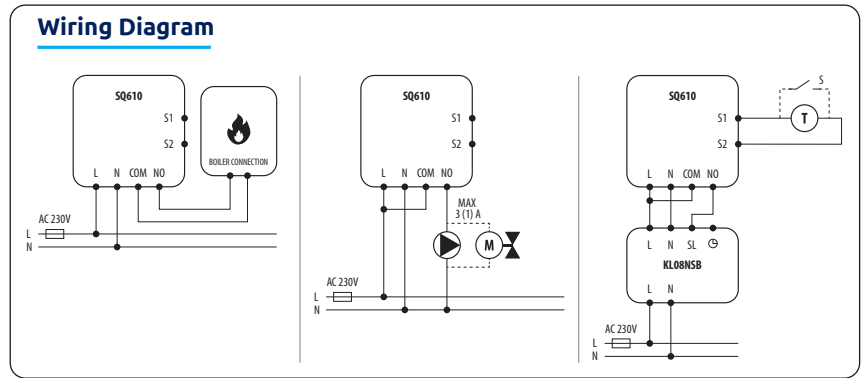
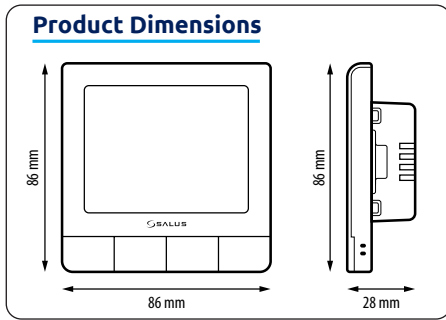


## FEATURES

- ZigBee protocol
- Thickness outside the wall 10mm
- 230V power supply
- Large LCD screen
- Humidity sensor
- Programmable - daily, weekly or 5/2
- Hysteresis  $\pm 0.5$  and  $0.25$
- Class IV ERP
- ITLC (Internal Temperature Load Compensation)
- 2 contacts for presence sensor or external sensor / floor sensor
- Control from the Smart Home app
- Heating / Cooling mode
- Operates with UG600 Gateway or independently
- 5 Year Warranty

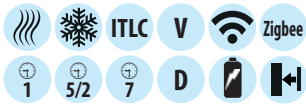


Power Supply:	230V (CA) 50 Hz
Wireless Standard:	2.4 GHz ZigBee
Operating Temp:	0 to 50 °C
Dimensions (mm):	L-88 x W-88 x H-55



# SQ610RF

SALUS Quantum, Ultra Slim,  
Wireless, Smart Thermostat  
for underfloor heating control

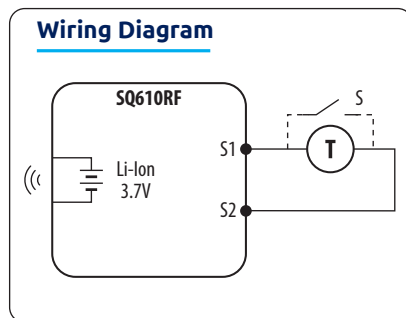
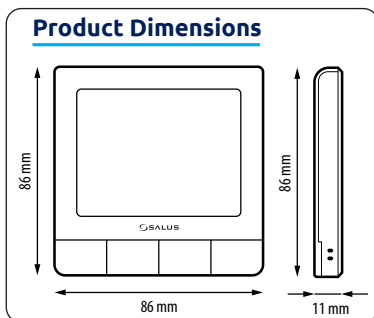


## FEATURES

- ZigBee protocol
- Just 11mm deep
- Re-chargeable Lithium Ion battery
- Large LCD screen
- Humidity sensor
- Programmable - daily, weekly or 5/2
- Hysteresis  $\pm 0.5$  and  $0.25$
- Class IV ERP
- ITLC (Internal Temperature Load Compensation)
- 2 contacts for presence sensor or external sensor / floor sensor
- Control from the Smart Home app
- Heating / Cooling mode
- Operates with UG600 Gateway
- 5 Year Warranty



Power Supply:	5 V DC interface USB
Wireless Standard:	2.4 GHz ZigBee
Operating Temp:	0 to 50 °C
Dimensions (mm):	L-88 x W-88 x H-55



## CDUK Quantum Charging Dock

### FEATURES

- Surface Stand
- Portable Charging Station
- Mains Powered via USB

Power Supply:	5 V DC interface USB
Dimensions (mm):	H-90 x W-80 x D-60



# SQ605

SALUS Quantum, Ultra Slim,  
Wired, Smart Dial Thermostat  
for underfloor heating control



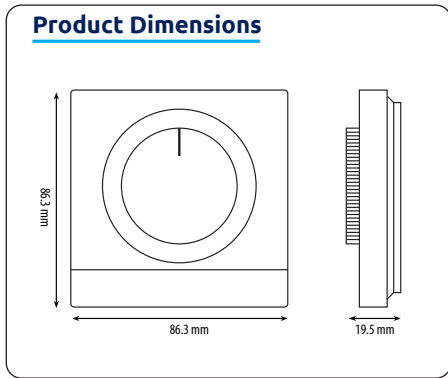
## FEATURES

- Thickness outside the wall 10mm
- 230V power supply
- Dial control
- Hysteresis  $\pm 0.5$
- Class IV ERP
- ITLC (Internal Temperature Load Compensation)
- 2 contacts for presence sensor or external sensor / ground
- Heating / Cooling mode
- Operates with UG600 Gateway
- 5 Year Warranty

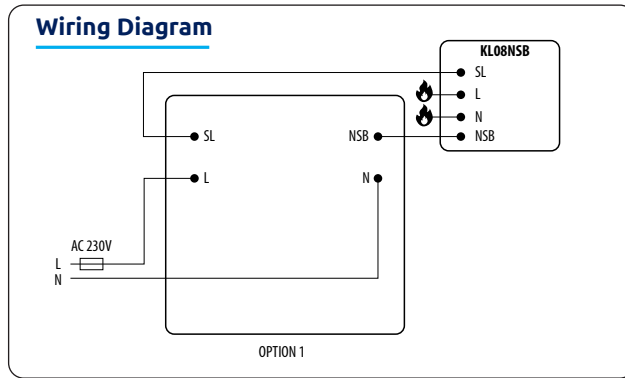


Power Supply:	230V (CA) 50 Hz
Operating Temp:	0 to 50 °C
Dimensions (mm):	L-88 x W-88 x H-55

### Product Dimensions



### Wiring Diagram



# SQ605RF

SALUS Quantum, Ultra Slim,  
Wireless, Smart Dial Thermostat  
for underfloor heating control



## FEATURES

- ZigBee protocol
- Just 11mm deep
- Re-chargeable Lithium Ion battery
- Dial control
- Hysteresis  $\pm 0.5$
- Class IV ERP
- ITLC (Internal Temperature Load Compensation)
- 2 contacts for presence sensor or external sensor / ground
- Control from the Smart Home app
- Heating / Cooling mode
- Operates with UG600 Gateway
- 5 Year Warranty

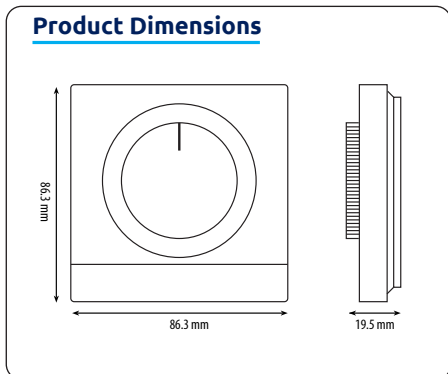


**07**

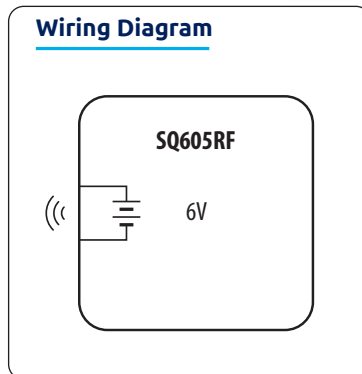
Underfloor Heating

Power Supply:	4 x AAAA
Wireless Standard:	2.4 GHz ZigBee
Operating Temp:	0 to 50 °C
Dimensions (mm):	L-88 x W-88 x H-55

### Product Dimensions



### Wiring Diagram



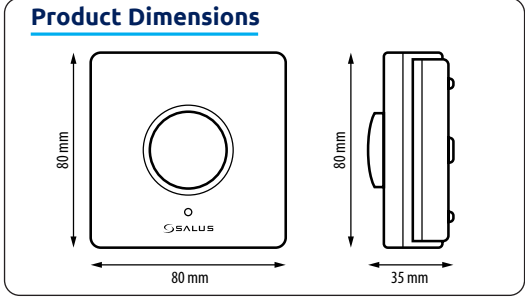


# HTR230

Dial thermostat

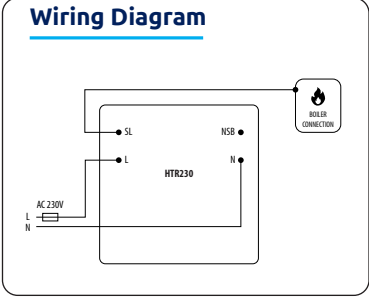


Power Supply:	230V AC
Scale:	5°C – 30°C
Dimensions (mm):	L-85 x H-85 x D-25



## FEATURES

- PWM
- Traditional dial face
- ErP Rating IV
- 230V AC
- 5 Year Warranty

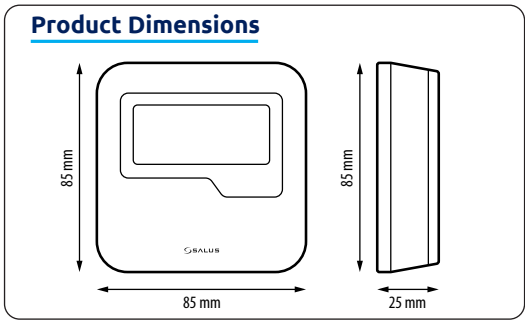


# HTRS230

Digital Display Thermostat

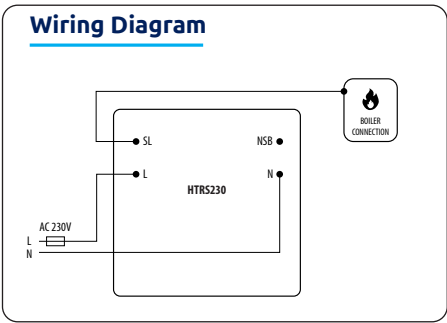


Power Supply:	230V AC
Scale:	5°C – 35°C
Dimensions (mm):	L-85 x H-85 x D-25



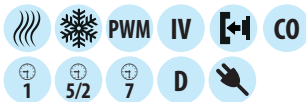
## FEATURES

- PWM
- Clear easy to read LCD
- Can be used as room thermostat in a system with other programmable SALUS thermostats
- ErP Rating IV
- Pre-set override temperatures
- 230V AC
- 5 Year Warranty

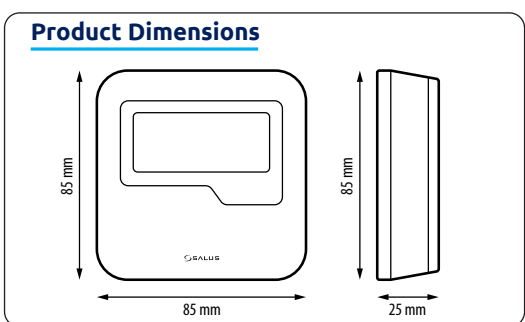


# HTRP230

Battery Operated Smart Programmable Thermostat

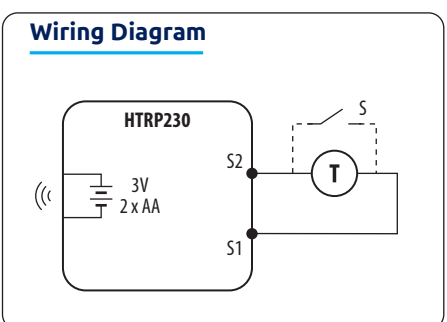


Power Supply:	2 x AA Batteries
Scale:	5°C – 35°C
Dimensions (mm):	L-85 x H-85 x D-25



## FEATURES

- PWM
- Clear easy to read LCD
- Can be used as room thermostat in a system with other programmable SALUS thermostats
- ErP Rating IV
- Fully programmable
- Pre-set override temperatures
- Optional floor temperature sensor
- 230V AC
- 5 Year Warranty



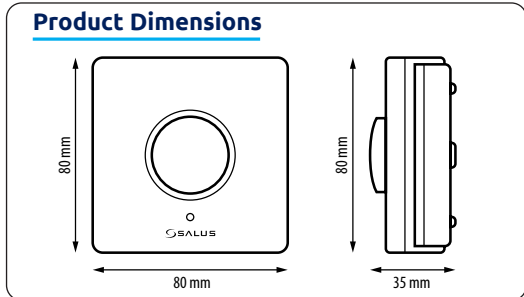
## HTR-RF(20)

Zigbee RF dial thermostat



Power Supply:	2 x AA Batteries
Scale:	5 °C – 32.5 °C
Dimensions (mm):	L-80 x H-80 x D-35

### Product Dimensions

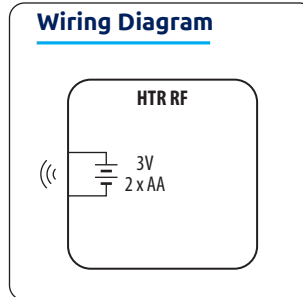


## FEATURES

- ITLC (Internal Temperature Load Compensation)
- Traditional dial face
- Integrates with HTRP-RF(50)
- ErP Rating IV
- Battery operated
- 5 Year Warranty



### Wiring Diagram



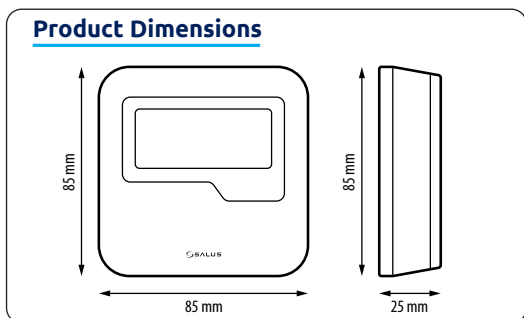
## HTRS-RF(30)

Battery Operated Smart Thermostat



Power Supply:	2 x AA Batteries
Scale:	5 °C – 32.5 °C
Dimensions (mm):	L-85 x H-85 x D-25

### Product Dimensions

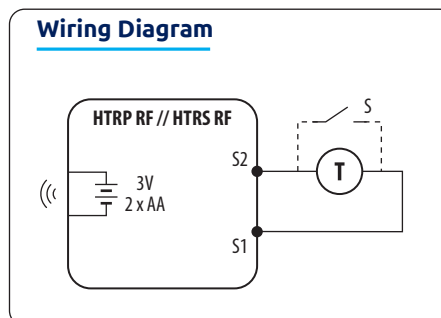


## FEATURES

- ITLC (Internal Temperature Load Compensation)
- Clear easy to read LCD
- Integrates with HTRP-RF(50)
- Can be used as room thermostat in a system with other programmable SALUS thermostats
- ErP Rating IV
- Pre-set override temperatures
- Battery operated
- 5 Year Warranty



### Wiring Diagram



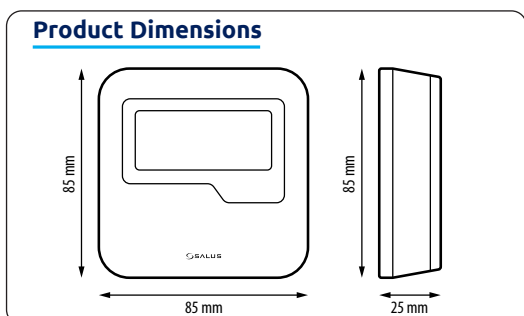
## HTRP-RF(50)

Battery Operated Smart Programmable Thermostat



Power Supply:	2 x AA Batteries
Scale:	5 °C – 32.5 °C
Dimensions (mm):	L-85 x H-85 x D-25

### Product Dimensions

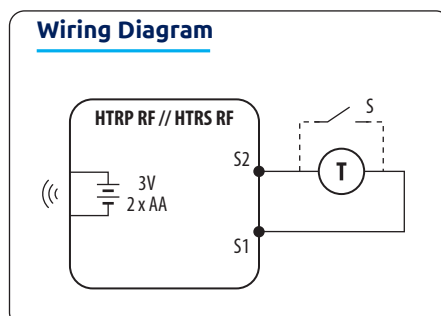


## FEATURES

- ITLC (Internal Temperature Load Compensation)
- Clear easy to read LCD
- Integrates with HTRS-RF(30)
- Can be used as room thermostat in a system with other programmable SALUS thermostats
- ErP Rating IV
- Fully programmable
- Pre-set override temperatures
- Optional floor temperature sensor
- Battery operated
- 5 Year Warranty



### Wiring Diagram



07

Underfloor Heating

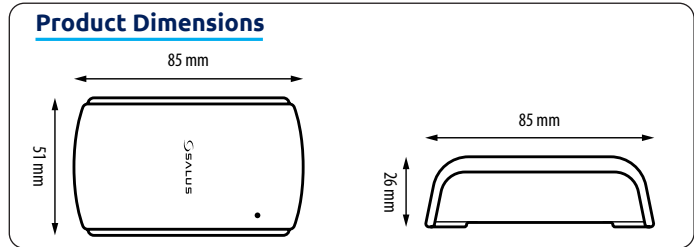


# TS600

App controlled thermostat



Power Supply:	2 x AA Batteries
Wireless Standard:	ZigBee 2.4 GHz
Scale:	5°C to 32.5°C
Dimensions (mm):	L-51 x H-85 x D-26

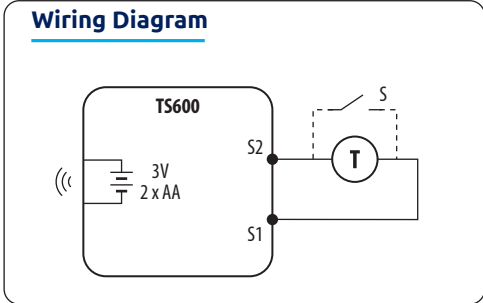


## FEATURES

- Stylish, compact, surface mounted solution
- ITLC (Internal Temperature Load Compensation)
- LED indication
- Optional external sensor
- App Only Interface
- Clear and Easy to use
- Controls up to six SALUS Smart Radiator controls (TRVs) in a zone
- Control via the SALUS Smart Home App
- 5 Year Warranty



## Wiring Diagram



# FS4000

Floor Sensor

S1	Remote/Floor temperature sensor terminal 2
S2	Remote/Floor temperature sensor terminal 2

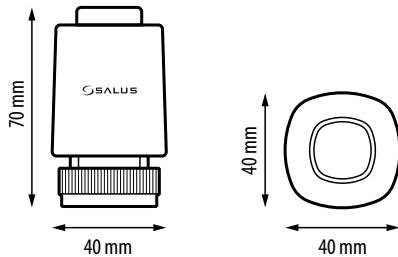


## T30NC230

### Electro Thermal Actuator

Operation:	NC - Normally Closed
N:	Neutral Connection
L:	230V Live Connection
Size (mm):	W-38 x H-38 x D-60

#### Product Dimensions



#### FEATURES

- Adaptive stroke length 4mm
- Low Power consumption 2W
- 100N Force
- High quality wax element
- Simple open and close indication
- Universal M30 x 1.5mm screw thread
- 5 Year Warranty

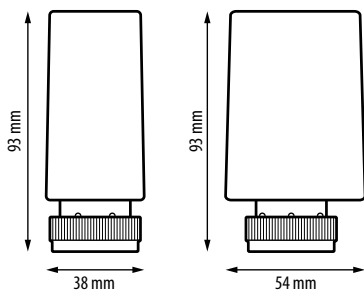


## THB23030

### Auto Balancing Actuator

Operation:	NC - Normally Closed
N:	Neutral Connection
L:	230V Live Connection
Size (mm):	W-38 x H-93 x D-53

#### Product Dimensions



#### FEATURES

- Auto balancing with 7°C
- Energy efficient
- Easy & quick to install
- Includes 2-piece pipe sensors
- Precision motorised actuator
- Ultra-low power 0.5W
- Fit & forget UFH balance control
- Fast valve opening & closing
- Universal M30 x 1.5mm screw thread
- 5 Year Warranty



07

Underfloor Heating



TECHNISCHE  
UNIVERSITÄT  
DRESDEN



# KL08NSB

## 8 Zone Master Wiring Centre

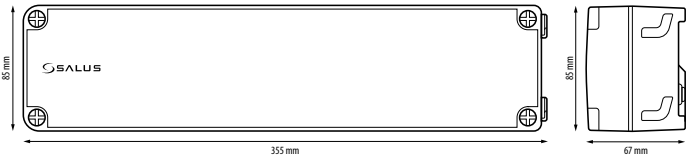
Power Supply:	230V
Switching current:	5A Max
Pump/Boiler Relay Load:	3A Max
Output:	230V
Size (mm):	W-353 x H-85 x D-65

### FEATURES

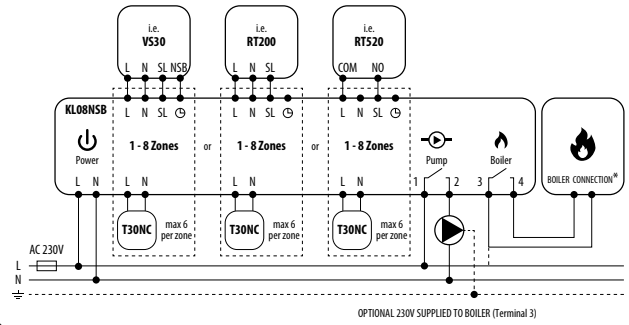
- 8 zones with 4 actuators per zone
- Push-in cable connections with strain relief
- Volt free pump and boiler switching
- LED status indication
- Separate in-pu for night setback signal
- Works with NO and NC actuators
- External clock contact
- 5 Year Warranty



### Product Dimensions



### Wiring Diagram



# KL04NSB

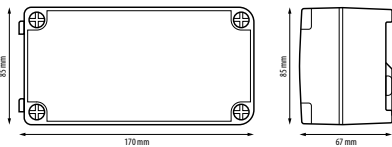
## 4 Zone Slave Extension

Power Supply:	230V
Switching current:	5A Max
Output:	230V
Size (mm):	W-163 x H-85 x D-65

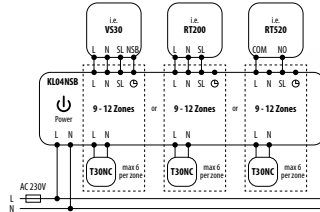
### FEATURES

- Plug in slave unit to extend the KL08NSB
- 4 zone plug-in slave unit with 4 actuators per zone
- Push-in cable connections with strain relief
- LED status indication
- Works with NO and NC actuators
- 5 Year Warranty

### Product Dimensions



### Wiring Diagram



# KL08RF

## Wireless 8 Zone Master Wiring Centre

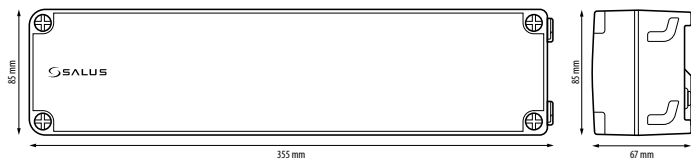
Power Supply:	230V
Switching current:	5A Max
Pump/Boiler Relay Load:	3A Max
Output:	230V
Size (mm):	W-353 x H-85 x D-65

### FEATURES

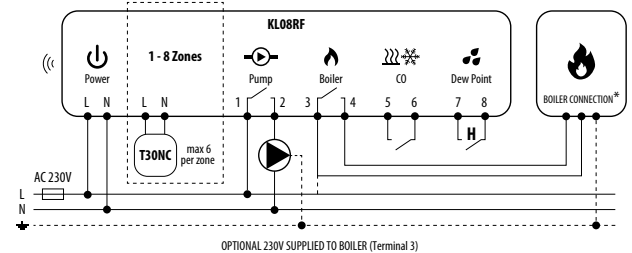
- 8 zones with 3 actuators per zone
- Push-in cable connections with strain relief
- Volt free pump and boiler switching
- LED status indication
- Works with NO and NC actuators
- Includes coordinator or ZigBee wireless for Smart Home App integration
- Zigbee 2.4GHz
- 5 Year Warranty



### Product Dimensions



### Wiring Diagram



# KL04RF

## Wireless 4 Zone Slave Extension

Power Supply:	230V
Switching current:	5A Max
Output:	230V
Size (mm):	W-163 x H-85 x D-65

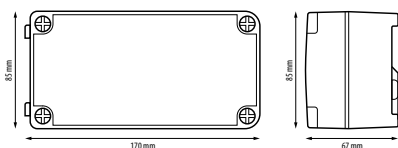
### FEATURES

- Plug in slave unit to extend the KL08RF
- 4 zone plug-in slave unit with 3 actuators per zone
- Push-in cable connections with strain relief
- LED status indication
- Works with NO and NC actuators
- 5 Year Warranty

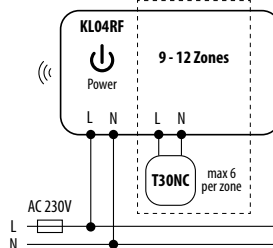
07

Underfloor Heating

### Product Dimensions



### Wiring Diagram

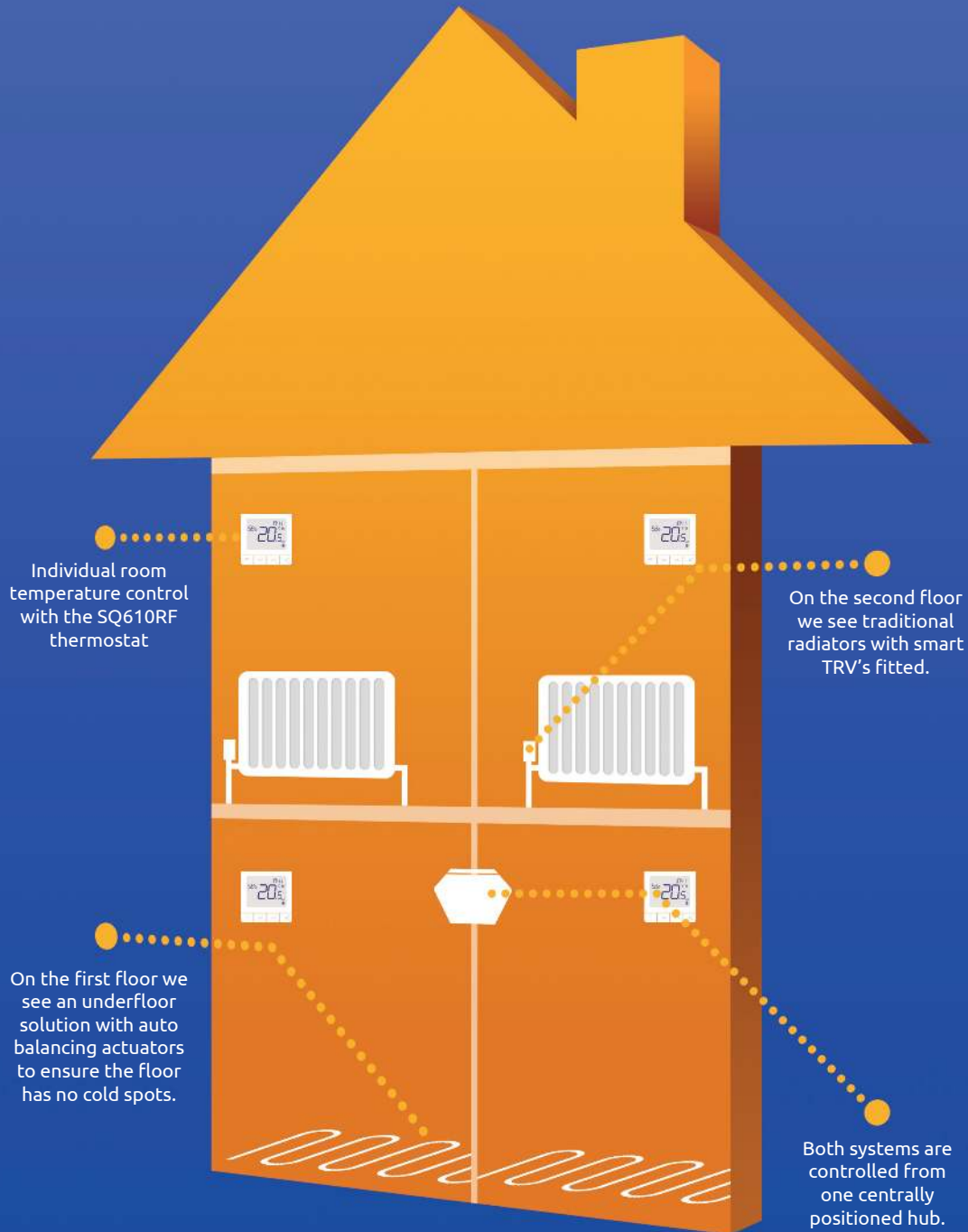


# Giving your customers the complete solution!

**With Salus heating controls you can tailor your system to give your customers the perfect solution.**

From a zoned solution to the individual room control of a Smart Home solution our sales team can advise you on what would best suit your budget and requirements.

**Visit our website or contact your local sales representative for more information.**

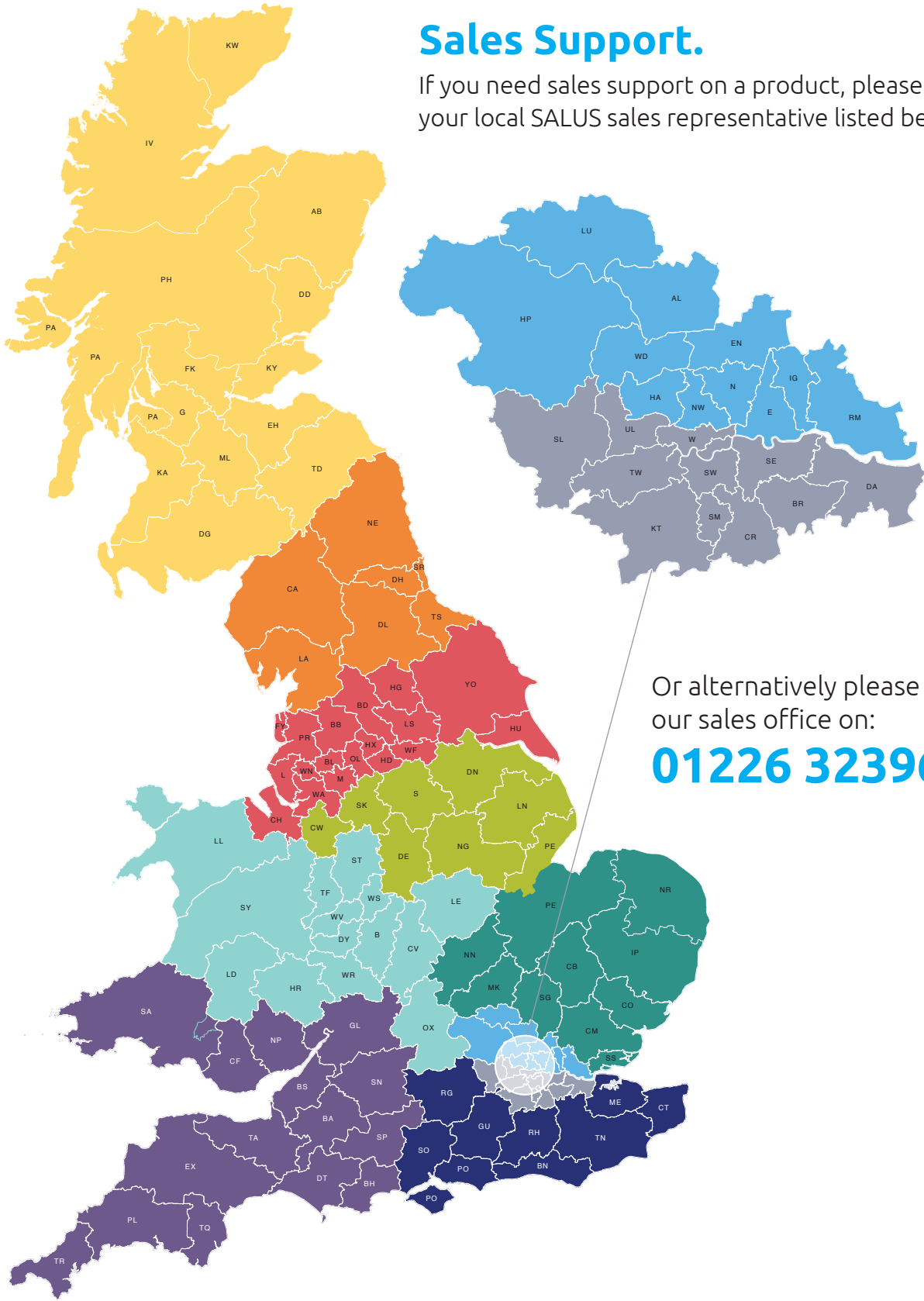


[www.salus-controls.com/uk](http://www.salus-controls.com/uk)



# Sales Support.

If you need sales support on a product, please contact your local SALUS sales representative listed below.



Or alternatively please call our sales office on:

**01226 323961**

**James Black**  
Scotland  
james-black@salus-tech.com  
techsupport@salus-tech.com

**Rob Fenton**  
North  
rob-fenton@salus-tech.com  
techsupport@salus-tech.com

**Martyn McArthur**  
Central  
martyn-mcarthur@salus-tech.com  
techsupport@salus-tech.com

**Mark Van Oene**  
East of England  
mark-vanoene@salus-tech.com  
techsupport@salus-tech.com

**Martin White**  
South East  
martin-white@salus-tech.com  
techsupport@salus-tech.com

**Rob Fenton**  
North  
rob-fenton@salus-tech.com  
techsupport@salus-tech.com

**Martin White**  
North London  
martin-white@salus-tech.com  
techsupport@salus-tech.com

**SALUS Sales**  
Midlands  
sales@salus-tech.com  
techsupport@salus-tech.com

**Martin White**  
South London  
martin-white@salus-tech.com  
techsupport@salus-tech.com

**Mathew Edwards**  
South West  
mathew-edwards@salus-tech.com  
techsupport@salus-tech.com



Salus Controls plc,  
Units 8-10, Northfield Business Park  
Forge Way, Parkgate, Rotherham, S60 1SD

## Sales

For sales enquiries, telephone

**01226 323961**

Or email

**sales@salus-tech.com**

## Technical

For technical support, telephone

**01226 323961**

Or email

**techsupport@salus-tech.com**

[www.salus-controls.com/uk](http://www.salus-controls.com/uk)



Computime

SALUS Controls is a member of the Computime Group

Maintaining a policy of continued product development SALUS Controls PLC reserve the right to change specification, design and materials of products listed in this brochure without prior notice.

**Issue Date: February 2021**

10/02/21 V028