

VAX SNK C

Crosshead Tap Range X Head Monobloc Sink Mixer Chrome



Features:

- Metal handles
- Supplied with metal fixing nut
- Chrome plated to BS EN 248

Product Certifications:



WRAS Cert. Number: 2007906
WRAS Expiry Date: 31/07/2025



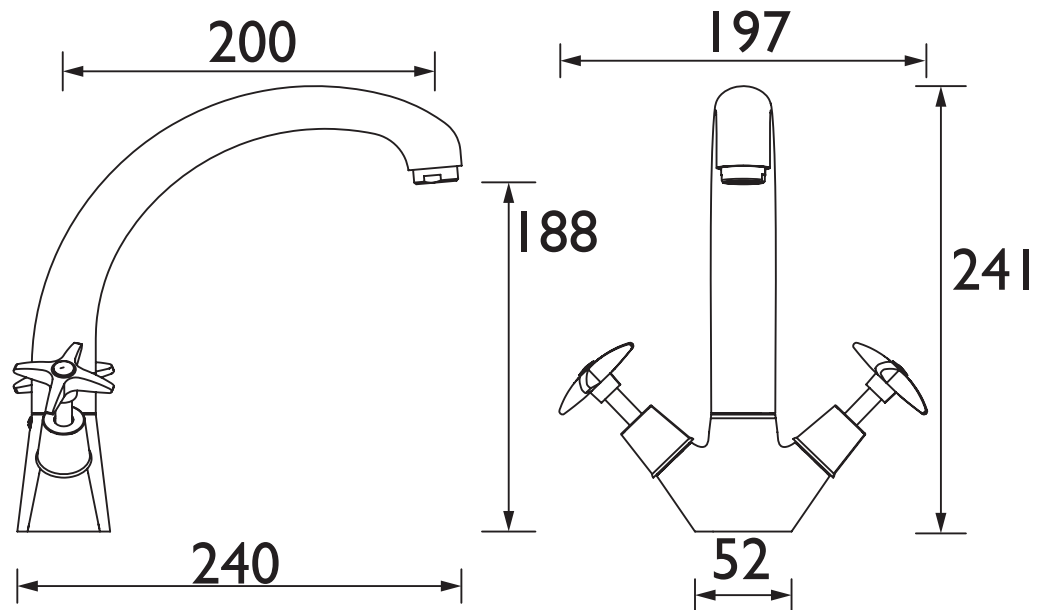
For more products, visit our website:
<http://www.bristan.com>



Specification

Product Type:	Kitchen Tap
Main Construction Material:	Brass
Mount Type:	Deck Mounted
Handle Type:	Crosshead Handles
Connection Inlet:	15mm copper tails
Connection Outlet:	M24 Flow Straightener
Number of Tap Holes:	1
Valve/Cartridge Type:	Standard Valve
Plumbing System Requirements:	Suitable for all plumbing systems
Minimum Dynamic Pressure:	0.2 Bar
Maximum Dynamic Pressure:	5.0 Bar
Maximum Hot Water Temperature: °C	65
Maximum Static Pressure: (bar)	10
Flow Type:	Single Flow
Isolation Included:	No

Dimensions (measurements in mm)



Flow Rates (l/min)

System Pressure (bar)	0.2	0.5	1	2	3	5
<<Product Code>>	9.2	14.5	20.5	29.3	35.9	46.3

TECHNICAL
DATA
SHEET



BRISTAN

D11