

TECHNICAL DATA SHEET

PRODUCT

1700 x 1000 PANEL KIT 4

PRODUCT CODE

EXH0390

SPECIFICATION

- **PANEL FINISH :**
- **PRODUCT TYPE :**
- **PANEL HEIGHT :**
- **AVAILABLE FOR :**
- **GUARANTEE PERIOD :**
- **FITTING :**

ABS ACRYLIC
SANITARY WARE

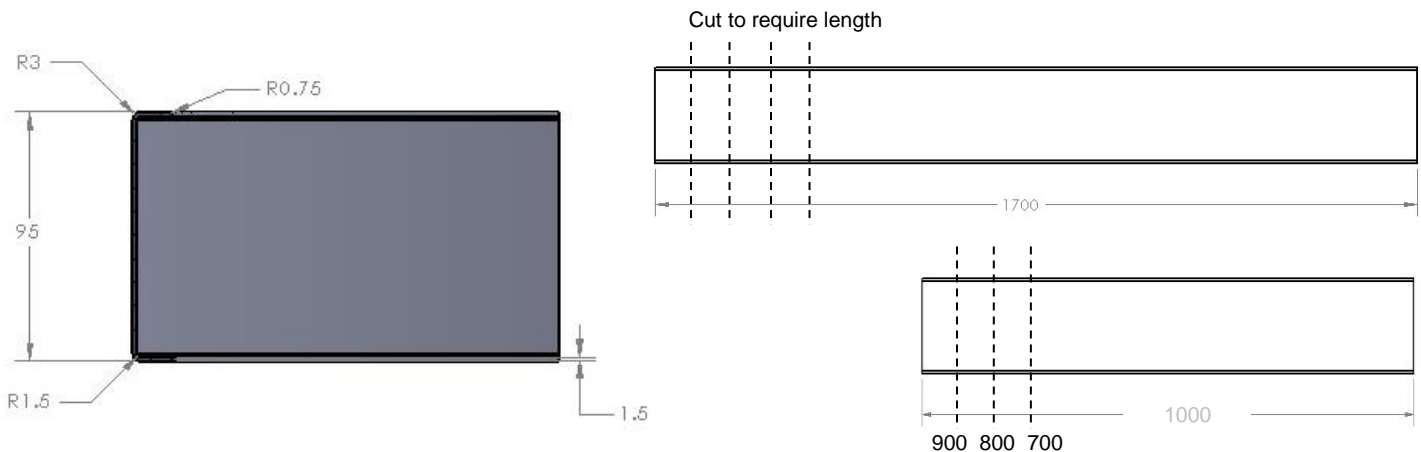
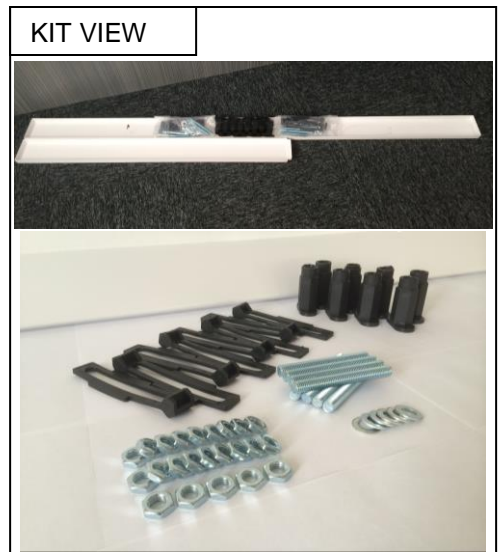
95mm

ALL RECTANGLE SIZES 1400x800 TO 1700x900

12 MONTHS

INSTRUCTIONS INCLUDED WITH TRAY -
TRIM TO TRAY SIZE, INDICATED ON PANEL

- **DIMENSIONS OF PANEL**



INCLUDED IN KIT:

- **1 x PANEL 1700**
- **1 x PANEL 1000**
- **8 x LEGS**
- **8 x PANEL HOLDERS**
- **8 x M12 SCREWED BARS**
- **23 x M12 NUTS**
- **6 x Washers**

