



Insignia

Insignia basin taps

Product Code: INS101

Finish: Chrome

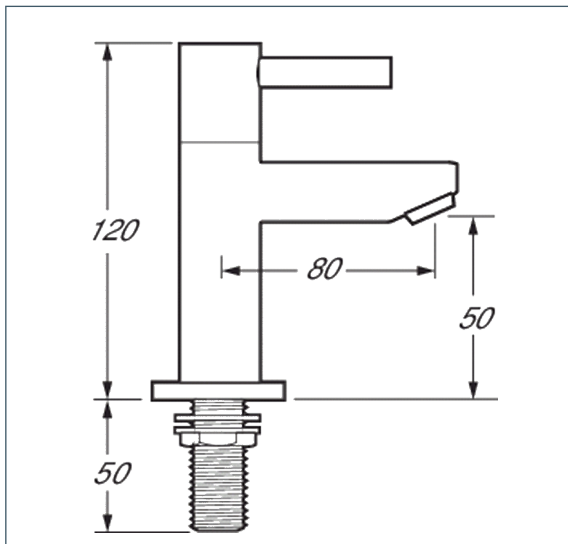
Features

- Construction: Brass
- Valve/Cartridge type: Ceramic Disc
- Supply: Suitable for all plumbing systems
- Working Pressures: 0.2 - 5.0 bar
- Inlet connections: 1/2" BSP
- Flexi or Copper: Plastic Backnuts

- 1/4 turn ceramic handles ensure a smooth operation
- Products which are easy to use by all the family



*Please refer to website for full warranty details.



Flow (Bar - l/min, open outlet)

Spout

Flow 0.1	Flow 0.3	Flow 0.5	Flow 1.0	Flow 2.0	Flow 3.0	Flow 4.0	Flow 5.0
5	10	13	16	19.5	25	30	34



1404042

