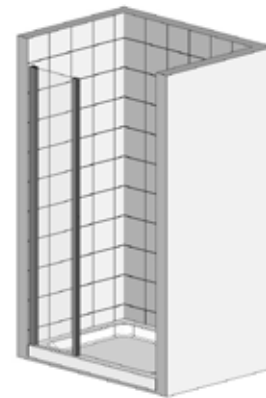
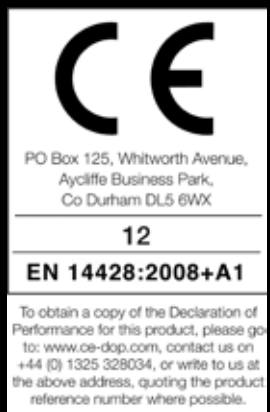


In-Line Panel

Instruction Manual

H3HL



IMPORTANT INFORMATION

- Toughened glass is completely safe for use in our shower enclosures and bath screens; providing our products are installed according to our guidelines.
- It is important to note that the glass must not be mounted or 'pinched' in such a way that would cause a stress point to develop in the glass. In addition, it must not be subject to any sharp impact or severe temperature fluctuation which may also cause a stress point to develop in the glass.
- Toughened glass is physically and thermally significantly stronger than standard glass. During the toughening process the stresses contained within any glass are balanced so if in the unlikely event situation any of the above occurs and the glass breaks, the glass will shatter safely into small thumbnail sized blunt fragments.

PRE-INSTALLATION CHECKS

1. Check you have the correct product. Please look at the labels on the side of the product packaging.
2. Check all the product components are in the box and the fixing kits.
3. Unpack your product and handle it with care.
4. Please check the product for defects or damage, once the installation has commenced we cannot accept responsibility for any defects or damage.
5. Please take time to read these instructions prior to installing your product.
6. Before you commence any drilling check there are no hidden electrical cables and/or water pipes.
7. No attempt should be made to re-work the toughened safety glass.
8. The installation of the product should be performed by two persons.
9. It is strongly recommended that the walls the product is going to be installed on are vertical.
10. It is strongly recommended the product is fitted on a tiled surface or similar waterproof surface.
11. It is strongly recommended the walls are tiled and grouted before the product is installed.
12. If the walls and/or the tray are not level you will not achieve maximum adjustment of the product.
13. Pictures used are for illustration purposes only, product designs may alter slightly as a result of continuing product development.
14. We do not stipulate where the European Standard Kite Mark should be positioned on the glass when being factory assembled.
15. Please note that some natural misting may occur when you remove this product from its packaging, due to the addition of the glass protection pre-coating. If this does occur this can easily be removed with a soft, dry cloth.

Component Check List: Supplied

Description	Quantity
Inline Panel	1
Low Level Bracing Assembly	1

Equipment Check List: Not Supplied

Description
Electric / Battery drill
6mm Masonry Drill
Spirit Level
Screwdriver (Pozi / Flat)
Pipe Cutters
Hacksaw
Pliers
Sealant Gun
Bathroom Sealant
Tape Measure
Pencil

Fixing Kit Components

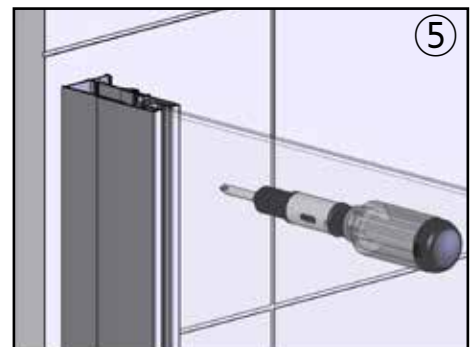
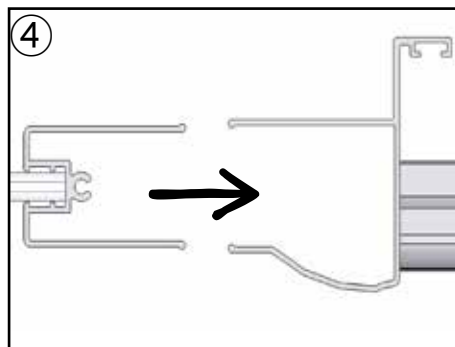
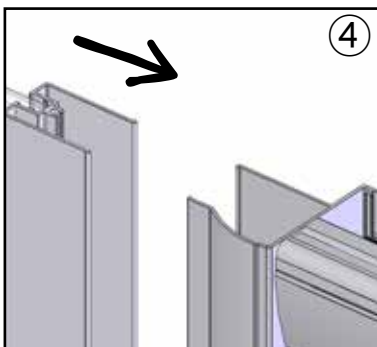
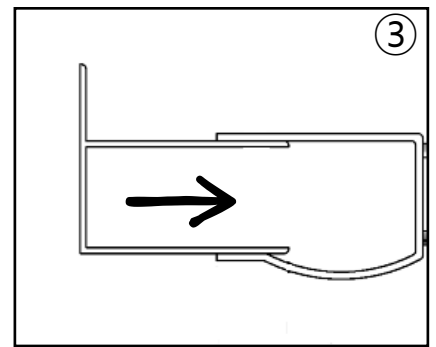
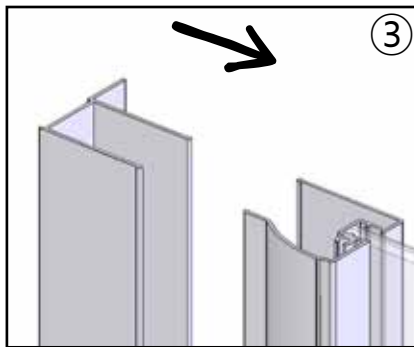
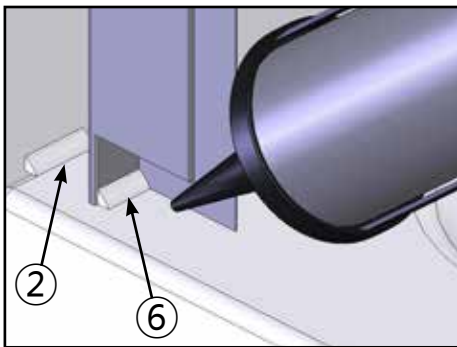
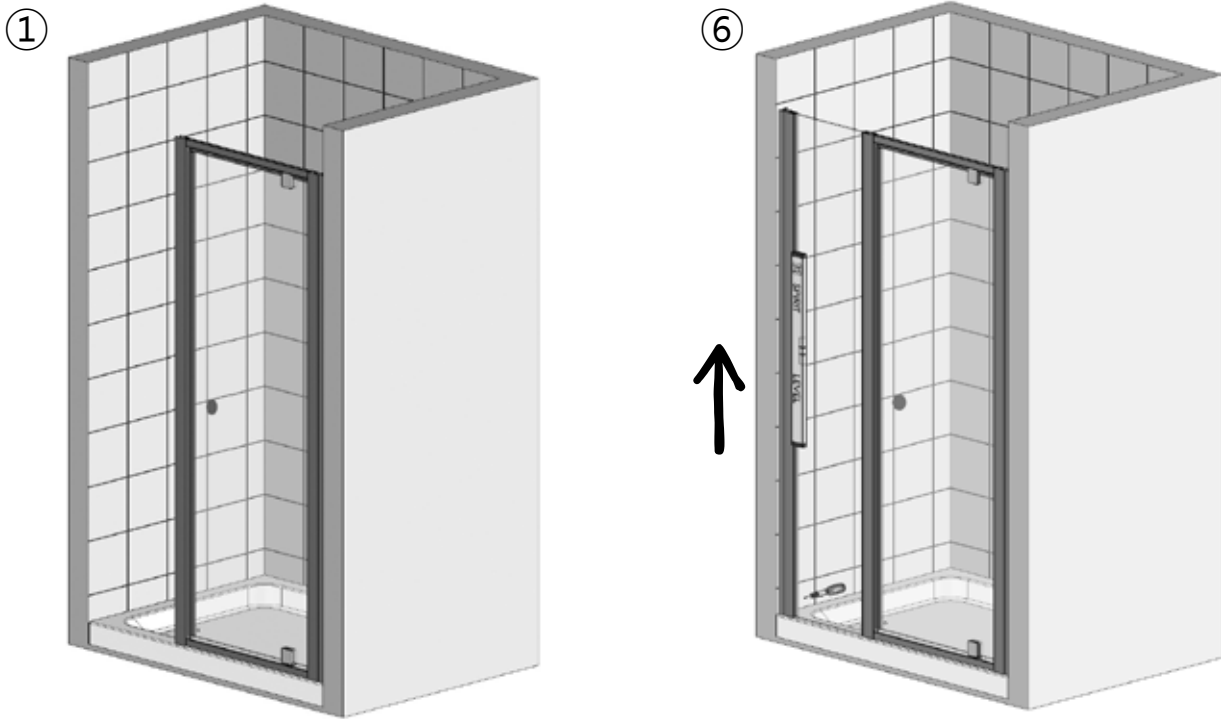
Description	Quantity
6mm Screws	3
Screw Bases	3
Cover Caps	3
Top Cap (Left Hand)	1
Top Cap (Right Hand)	1
2.5mm Drill Bit	1

CONSUMER GUARANTEE

Please make sure the purchaser/end user completes and returns the guarantee card which is enclosed with this product. Failure to validate the Guarantee will mean only the 1 Year Statutory Guarantee will apply.

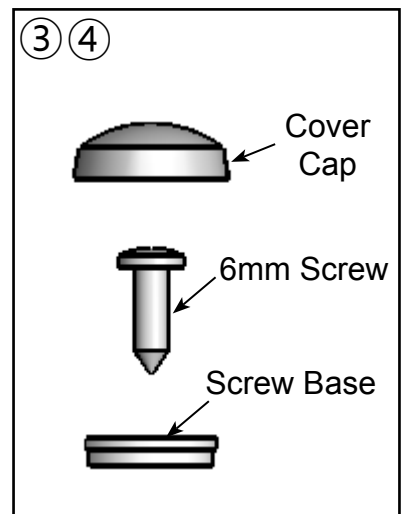
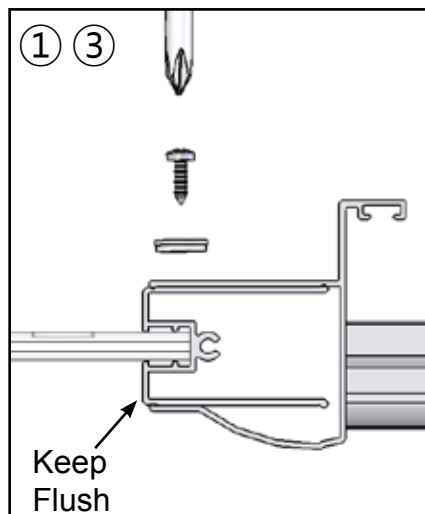
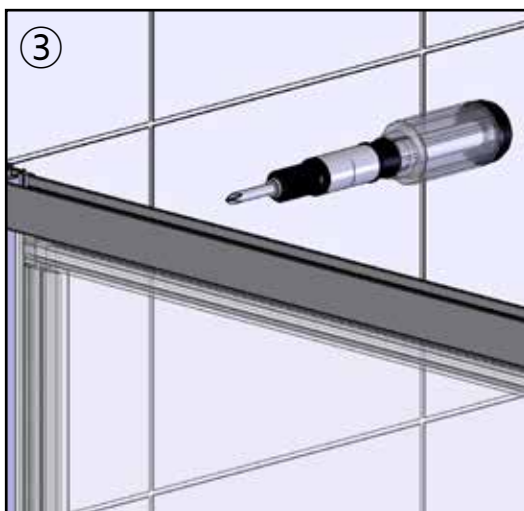
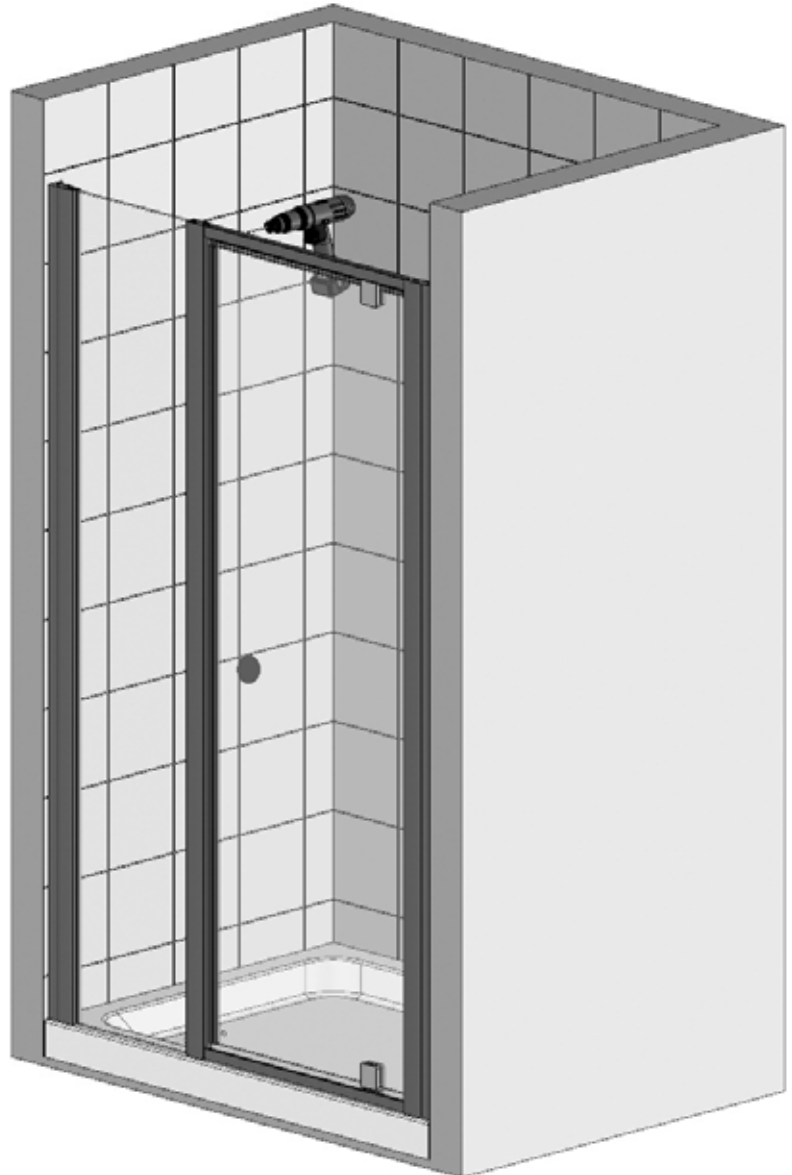
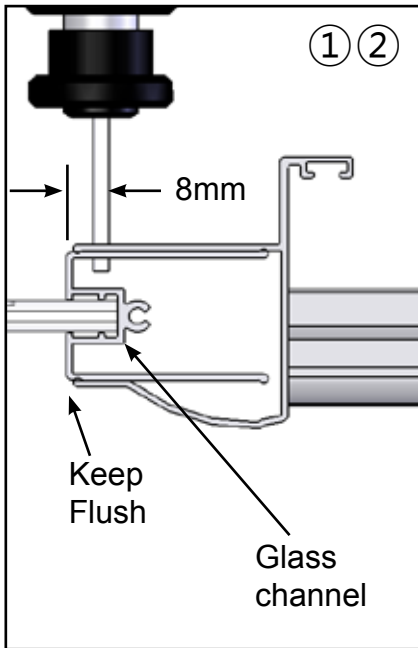
Step 1 - Inserting Door and Panel

IMPORTANT: Follow the Door Installation Guide up to fitting the Door before following these instructions (The door image used in these instructions is an example only). Be sure to remove the Red Transit Caps before proceeding.



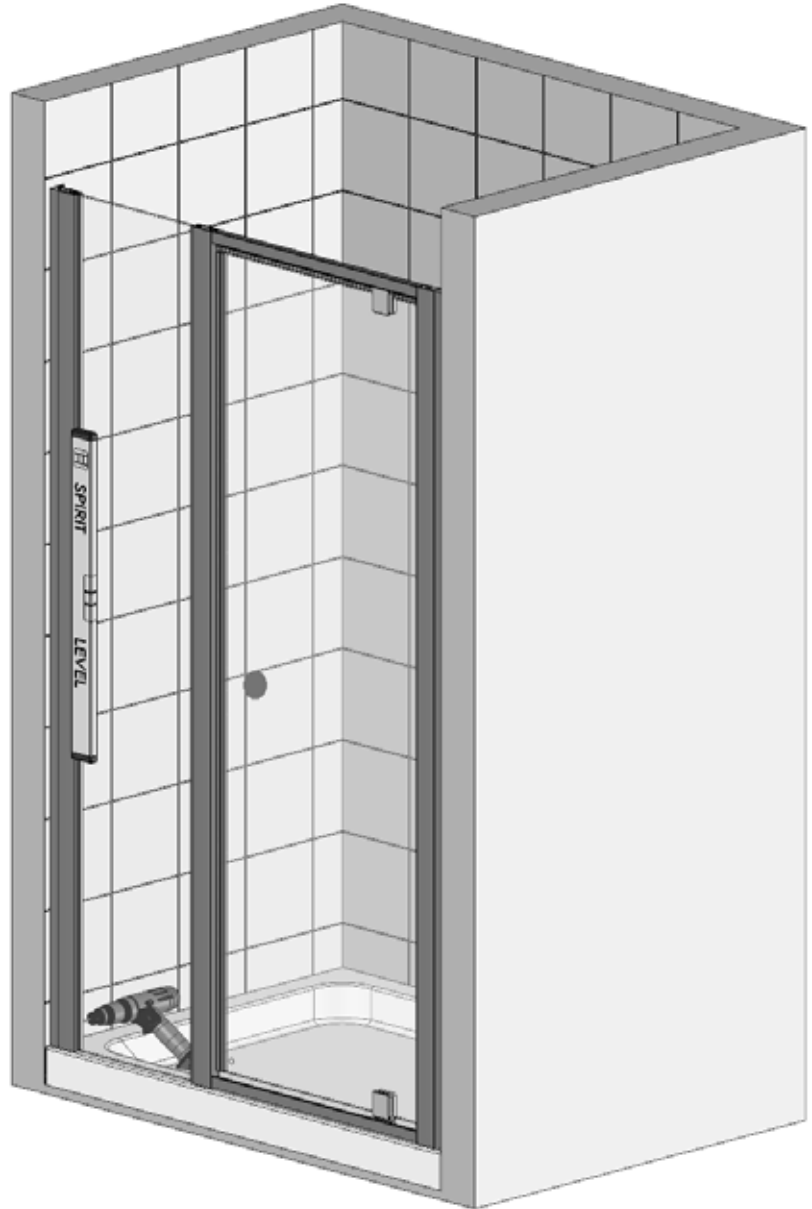
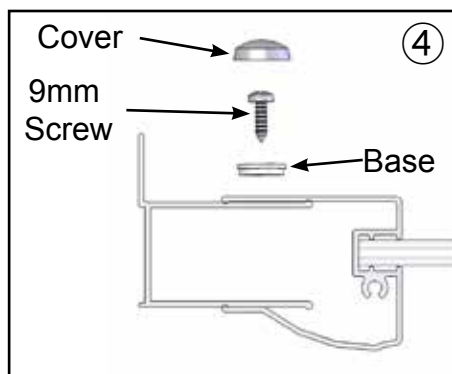
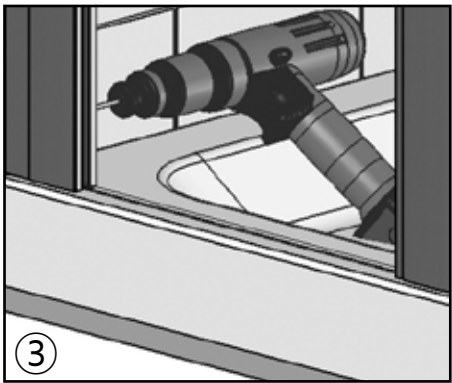
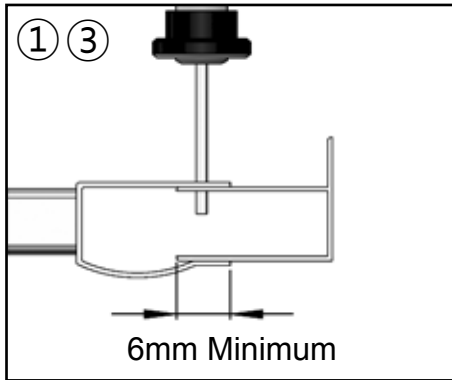
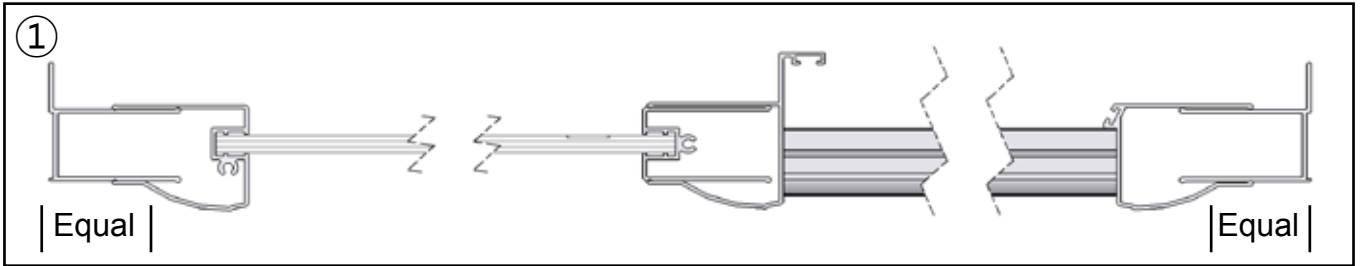
1. Lift the door onto the tray and locate into the Wall Profile.
2. Apply a bead of sealant the width of the Wall Profile where the 2nd profile will meet the tiled wall and tray.
3. Locate the 2nd Wall Profile onto the end of the Inline Panel.
4. Lift the Inline Panel onto the tray and locate fully into the vertical aluminium of the door.
5. Screw fix the 2nd Wall Profile to the wall (make sure the profile is completely vertical using a spirit level).
6. Lift the Inline Panel up to be able to add a bead of sealant to the inside of the Wall Profile
 - **You will need the assistance of someone when doing this procedure.**
 - **Failure to carry out Stages 2 and 6 can result in serious water damage and will not be covered under the terms of the guarantee.**

Step 2 - Fixing Panel and Door



1. Make sure the Door and Inline Panel profiles are located correctly and are level at the top and bottom and flush at the front.
2. Drill 3 holes 8mm in from the edge using the 2.5mm drill bit. Position them approximately 100mm from each end and the other in the centre. Drill through the Door Vertical into the Panel Vertical
 - **IMPORTANT: Take care NOT to drill through the glass channel as this will cause damage to the glass.**
3. Fit the Screw Bases onto the 6mm screws and tighten.
4. Push fit the Screw Cover Caps.

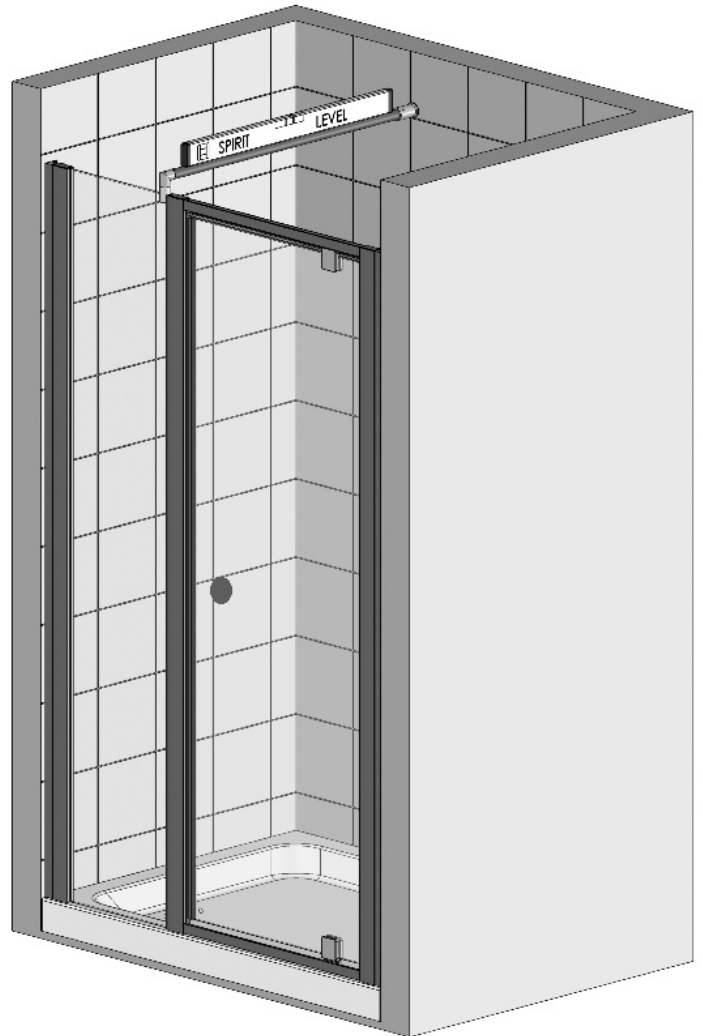
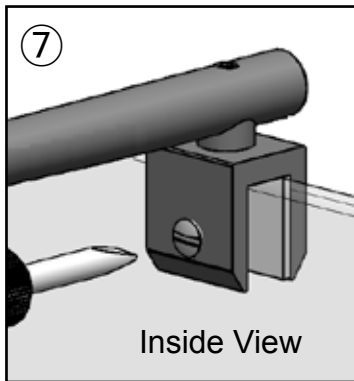
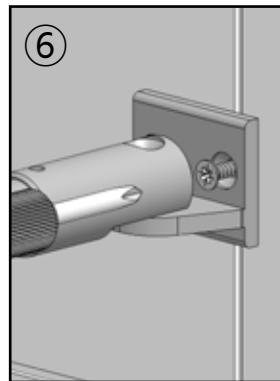
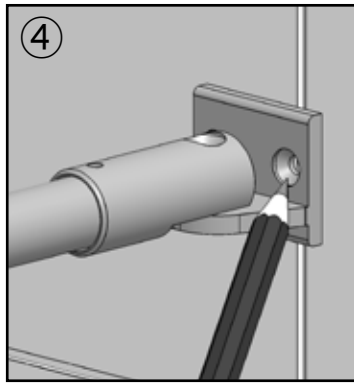
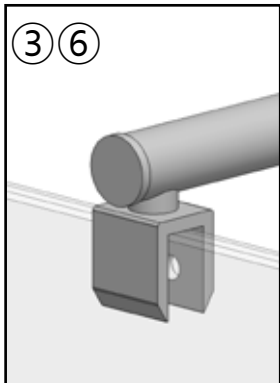
Step 3 - Fixing Panel and Door to Wall Profiles



1. Centre the Door and Inline panel between the Wall Profiles.
 - **NOTE: A minimum of 6mm is required between the Inline Panel/Door and Wall Profiles for fixing.**
2. Make sure the Inline Panel and Door are completely vertical using a spirit level.
 - **Prior to drilling/screwing the Inline Panel and Door refer to the Door installation guide to understand the Door fitting and adjustment requirements.**
3. Drill through the Wall Profile into the Panel vertical with the 2.5mm drill bit, make sure that the Inline Panel and Door remain completely vertical during this procedure.
 - **You will need the assistance of someone when doing this procedure.**
4. Fit the bases on the screws and fasten the Wall Profile and Inline Panel together, push fit the Cover Caps.
 - **It may be beneficial to apply some pressure to the Door and Inline Panel assembly and check the door operation prior to fixing the door side.**

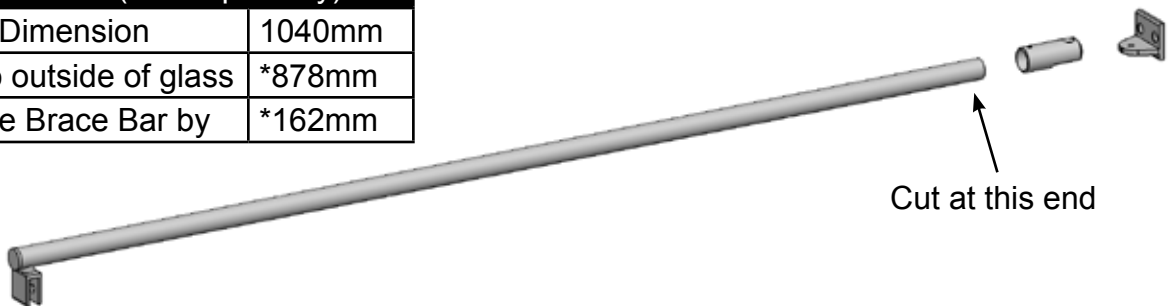
Step 4 - Bracing

NOTE: The Straight Section of the Brace Bar assembly may need shortening, if so use a hacksaw or similar. It is IMPORTANT that it is shortened at the Wall Cup end - be sure to remove all burrs and sharp edges.



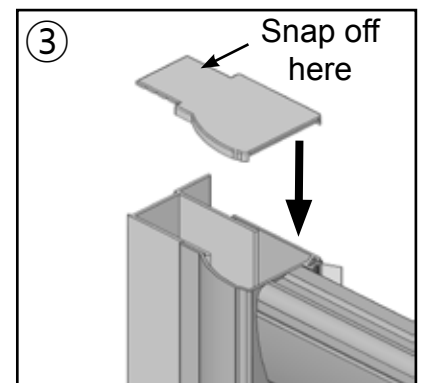
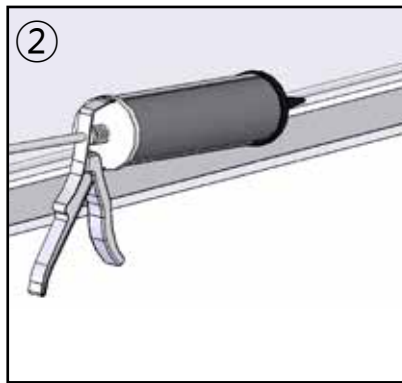
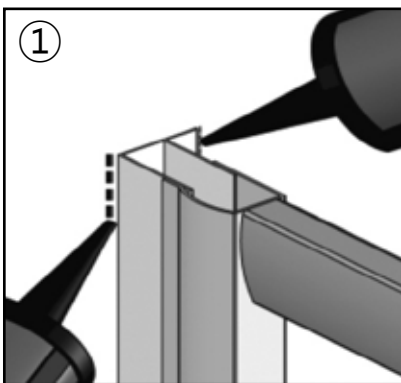
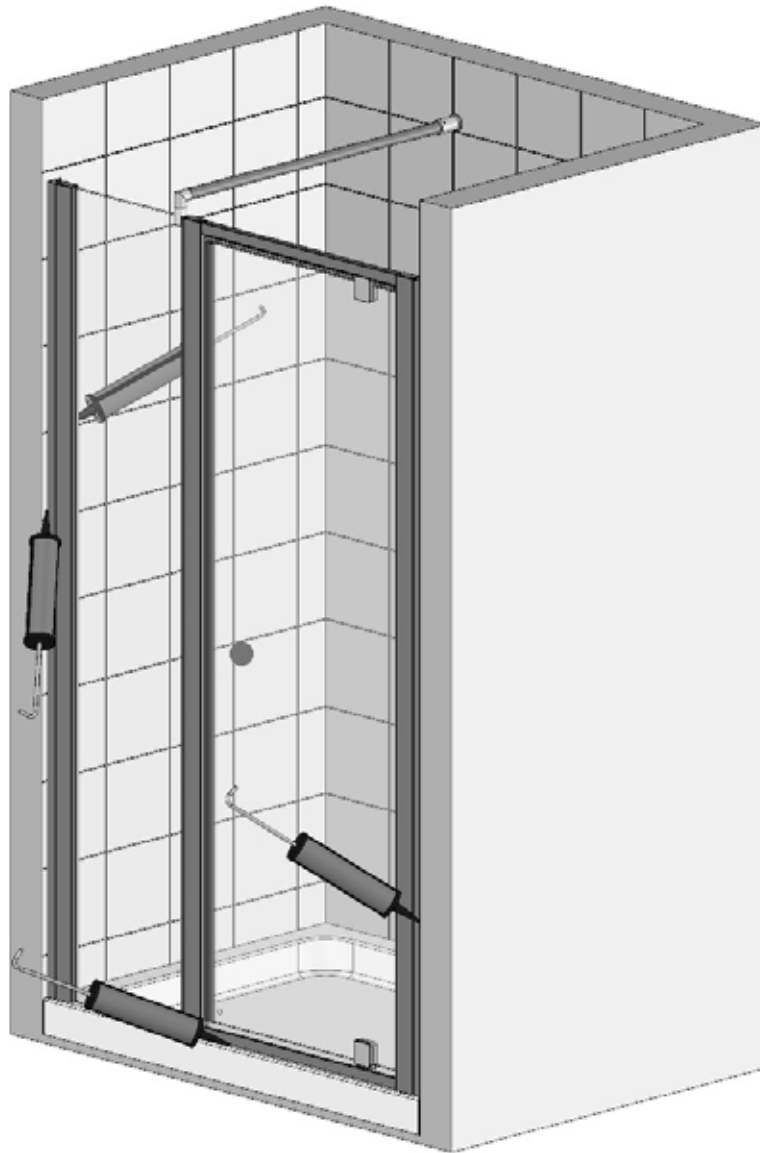
Brace Bar (*Example only)

Given Dimension	1040mm
Wall to outside of glass	*878mm
Reduce Brace Bar by	*162mm



1. Measure the distance from the back wall to the outside face of the Inline Panel Glass.
2. Deduct that measurement from 1040mm, shorten the Brace Bar by the new amount (see *Example above).
3. Place the Bracing Assembly over the glass and up to the back wall (place the bracing close to the door for the best stability). Use a Spirit level to keep it level.
4. With a pencil mark the wall through the screw holes in the Wall Bracket.
5. Remove the Bracing and drill the holes using a 6mm Masonry Drill (not supplied) and fit the Wall Plugs.
6. Replace the Bracing Assembly on to the Panel Glass and secure the Wall Bracket to the Back Wall.
7. Place the plastic spacer between the Glass and Glass Bracket at the front and tighten the Set Screw.
8. Tighten all screws.
 - There is 10mm of adjustment in the Brace Bar assembly to allow for correct adjustment.
 - The Brace Bar must be level, use a Spirit Level and ensure the bubble is in the middle of the two lines.
 - The panel must be vertically level, use a Spirit Level and adjust the bracing to achieve this.

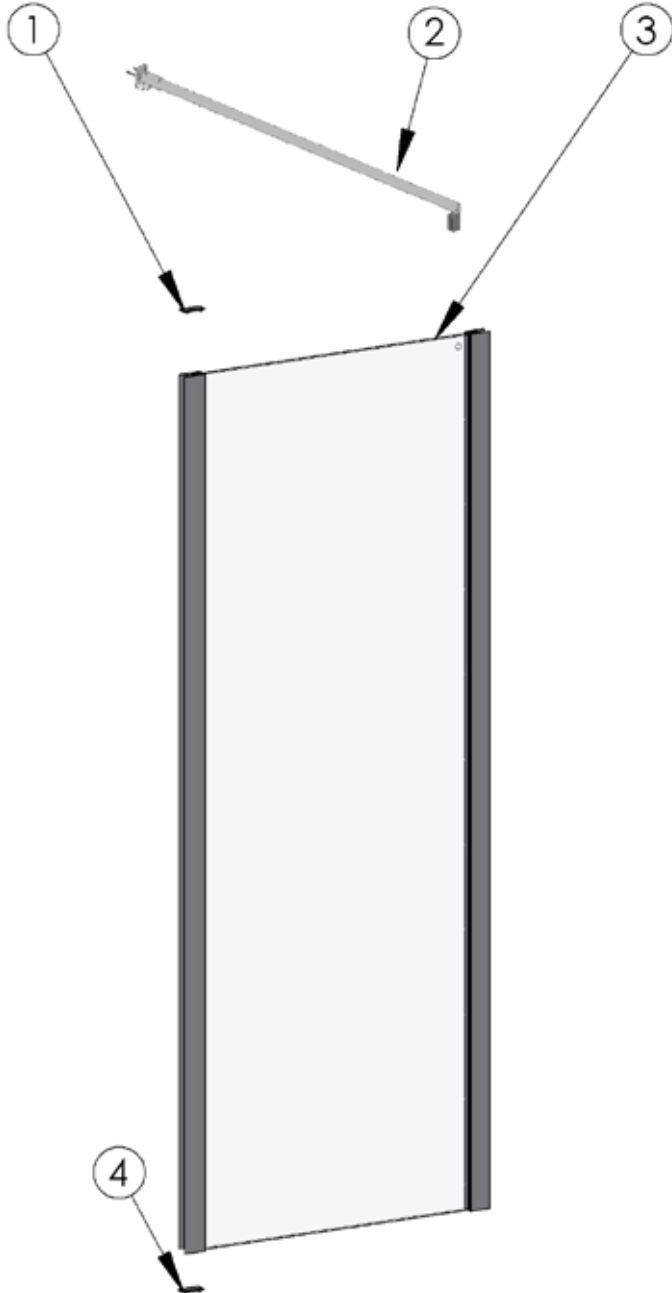
Step 5 - Fitting Caps and Sealing



1. Seal both Wall Profiles vertically, both internally and externally where they meet the tiles.
2. Seal the base of the Door and Panel to the top of the tray from wall to wall on the outside only.
 - **IMPORTANT: Failure to carry out stages 1 and 2 may result in serious water damage and is not covered under the terms of the guarantee.**
 - **DO NOT seal the base of the product to the inside, failure to comply may result in the product leaking.**
 - **Allow 24 hours for the sealant to fully cure prior to using the shower.**
3. The Top Caps have grooves and can be shortened by snapping off at these points.

Spare Parts

If you need to replace any damaged parts please see illustration below for parts list then call Customer Relations on 01325 328033



Part No.	Description	Q'ty	Part No.	Description	Q'ty	Part No.	Description	Q'ty
1	Top Cap (Right Hand)	1	11			21		
2	Bracing Assembly	1	12			22		
3	Inline Panel	1	13			23		
4	Top Cap (Left Hand)	1	14			24		
5			15			25		
6			16					
7			17					
8			18					
9			19					
10			20					

TROUBLE SHOOTING GUIDE

Problem	Solution
Leaking	<ol style="list-style-type: none">1. Check the tray has been sealed correctly prior to installation of the enclosure (Step 1 in the Door Instructions).2. Check the inside gap has been sealed correctly between the tray and wall profiles (Step 2 in the Door Instructions and Step 1 in these Instructions).3. Check that the base of the enclosure is sealed to the tray on the outside only (Step 5).4. Check to see if both wall profiles have been sealed vertically inside and outside where they meet the tiled wall (Step 5).5. Check that the base of the enclosure hasn't been sealed to the top of the tray on the inside of the cubicle.(Step 5). <p>Important: This enclosure should be water tested conforming to BS EN 14428</p>
Enclosure Alignment	<ol style="list-style-type: none">1. Check that the enclosure is fitted onto a tiled wall or a similar sealed surface (Step 1 in the Door Instructions).2. Check that the wall profiles have been fitted 10mm from the front outside edge of the tray (Step 2 in the Door Instructions).3. Check that the wall profiles have been fitted completely vertical (the bubble must be in the centre of the two lines on a spirit level - Step 2 in the Door Instructions).4. Check the enclosure is completely vertical and level (Step 1 in the Door Instructions).
Door not Operating Smoothly	<ol style="list-style-type: none">1. Check that the tray is completely level (the bubble must be in the centre of the two lines on a spirit level).2. Check that the wall profiles have been fitted completely vertical (the bubble must be in the centre of the two lines on a spirit level).

Some important information to help you Maintain your product.

The following information is all you need to keep your product looking new.

Clean your product using a mild detergent diluted in water and then polished off using a soft cloth.

If you live in a hard water area, periodically clean your product using a 50/50 solution of white vinegar and water. The solution should be left on the enclosure for approximately 5 minutes then rinsed off using warm water. This method of cleaning should remove lime scale residue.

Simple Maintenance

Our products are generally maintenance free, however it may be necessary to lubricate wheel assemblies and other moving parts from time to time.

It is strongly recommended that a quality silicone spray is used.

A list of Don't's:

1. Don't use acidic based products which are unsuitable for cleaning enamel surfaces.
2. Don't use abrasive cleaners or cleaners using bleach or solvents, these products will adversely affect the finish of the aluminium profiles.
3. Don't use scouring pads, powder or any sharp instruments when cleaning the enclosure.

Should you experience any problems during installation please refer to the Trouble Shooting Guide or contact Customer Relations on:

+44 (0) 1325 328033

To enable customer relations to provide you with an excellent level of service it is important that you quote your product Code and Reference Number - these can be found on the Guarantee card.