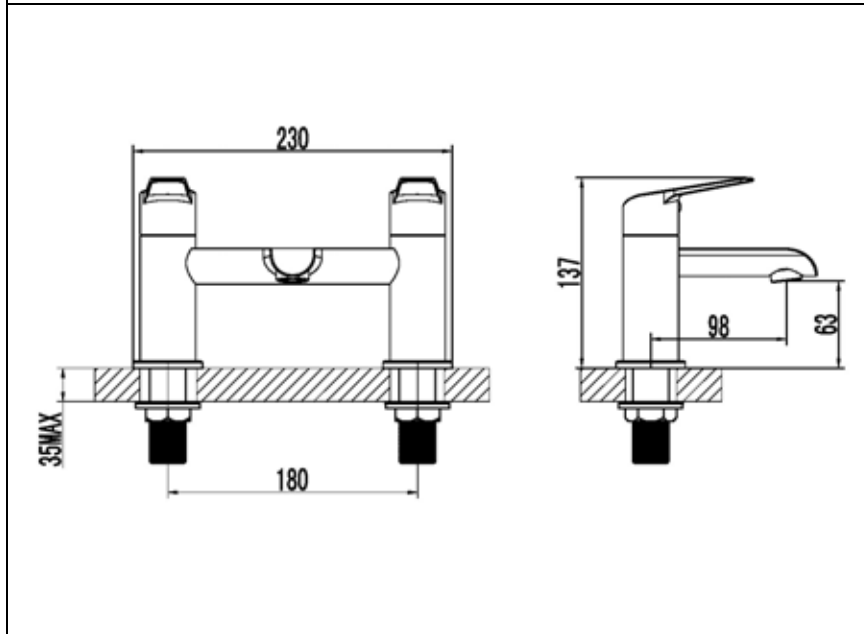




# START ELEGANCE

## 92033 – BATH FILLER

# COMAP



Specification	
Finish	Chrome
Body	Brass
Fittings	Metal backnut & washer
Connection	3/4" BSP threaded tail
Min dynamic pressure	0.1
Max dynamic pressure	5
Max static pressure	10
Max water temperature	60°C

Flow rates				
Pressure	0.1	0.5	1	3
L/min	13.3	28.4	40.8	71.2

All Pressures are in Bar.  
 Dimensions supplied are nominal and subject to tolerance.  
 Inclusion of aerator (if supplied) or restrictors (sold separately unless stated) will affect flow rate result.  
 Performance details are based on trials under test conditions and for guidance only.  
 The Company reserves the right to change product specification without prior notice.

### Features & Benefits

 10 YEAR Guarantee	 L Low Pressure	 Inlet Tail	 Flow Straightener
 Single Flow			

### Certifications

 18.1 l/min	
Tested at 0.2 bar	