

# DESIGNER SERIES COLLECTION

## DESIGNER SERIES 5 60CM

### BASIN 1TH



\*Tap not included

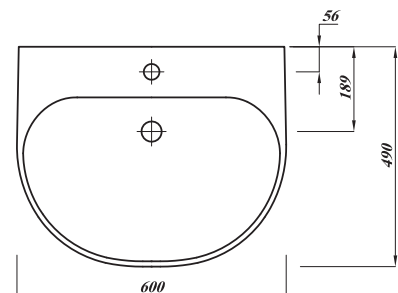
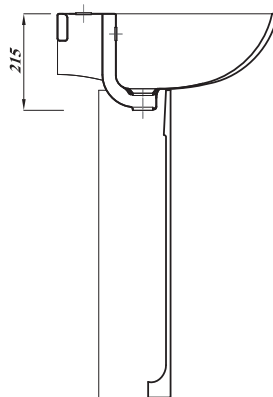
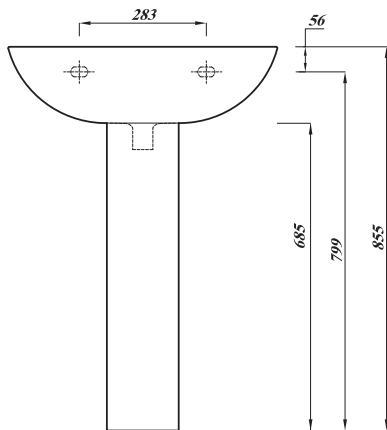
<b>Product Code</b>	<b>DS560BA1BX</b>
<b>Weight (Kg)</b>	16.4
<b>Material</b>	Fireclay
<b>Tap holes</b>	1
<b>Fixings</b>	Not included
<b>Extras</b>	Pedestal - DS5PEDBX, Semi-Pedestal - DS5SEMIPEDBX, Bottle Trap - BOTRAPCH

#### Key features:

- CE Compliant
- Chrome effect overflow ring
- Internal overflow
- Lifetime ceramic guarantee\*

#### Description:

This is in! These thin lipped contemporary basins are made using the latest technology, our designers have crafted beautiful basins with smooth lines and sharp minimal profiles.



All dimensions are approximate and subject to normal ceramic variation. Although every effort is made not to change the above product specification, Lecico reserve the right to do so without prior notification if necessary. \*Against manufacturers defects. Full information on guarantees available upon request.