

ATLAS PROFESSIONAL COLLECTION TRADE WALL HUNG PAN



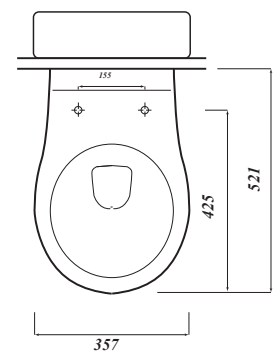
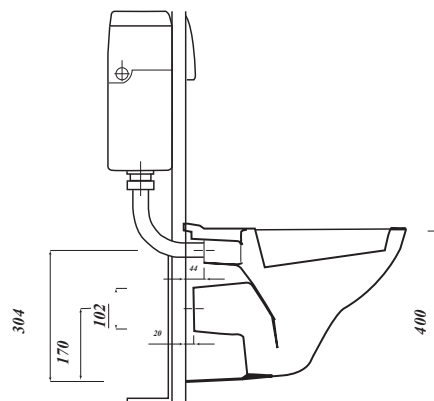
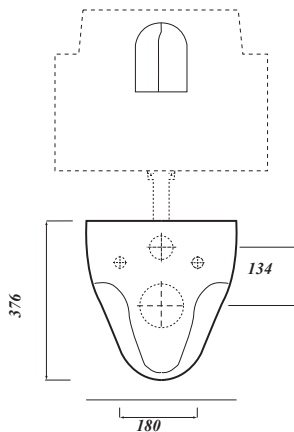
Product Code	ASTWHWHP
Outlet	Horizontal
Weight (Kg)	14.5
Fixing kit included	No
Material	Vitreous China
Flushing Volume (Ltr)	6/4
Suitable Soft close Seat	STWHSCPER
Tall cistern frame	FRAMELSIAM2PT
Short cistern frame	FRAMATPRO790

Key features:

- CE Compliant
- Modern compact design
- Lifetime ceramic guarantee*

Description:

A simple clean lined wall hung pan ideal for any commercial or residential bathroom. This wall hung pan is a perfect choice for locations such as motorway services or airports, due to its reduced footprint and ease of cleaning. It is possible to use fixing brackets (BRACKWHKIT) and a concealed cistern instead of a frame.



All dimensions are approximate and subject to normal ceramic variation. Although every effort is made not to change the above product specification, Lecico reserve the right to do so without prior notification if necessary.
*Against manufacturers defects. Full information on guarantees available upon request.