

# DESIGNER SERIES COLLECTION

## DESIGNER SERIES 5/6 CLOSE

### COUPLED PB CISTERN



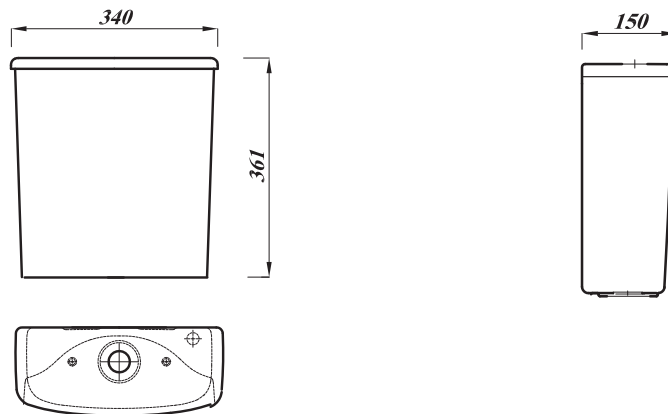
<b>Product Code</b>	<b>DS56PCI</b>
<b>Flushing Volume (Ltr)</b>	6/4 Standard / Adjustable down to 4/2.6
<b>Weight (Kg)</b>	10.7
<b>Cistern fittings included</b>	Yes
<b>Pre-installed/Bagged</b>	Pre-installed
<b>Material</b>	Vitreous China
<b>Flushing Mechanism</b>	Dual Flush Push Button
<b>Inlet</b>	RH Bottom Inlet

**Key features:**

- CE Compliant
- Space saving design
- Water saving option
- Cistern can be fixed to a wall
- Lifetime ceramic guarantee\*

**Description:**

Fill even the smallest space with lots of style. Its clean lines make it stylish yet practical option when space is at a premium.



All dimensions are approximate and subject to normal ceramic variation. Although every effort is made not to change the above product specification, Lecico reserve the right to do so without prior notification if necessary. \*Against manufacturers defects. Full information on guarantees available upon request.