

ATLAS SERIES COLLECTION

UNIVERSAL SOFT CLOSE SEAT



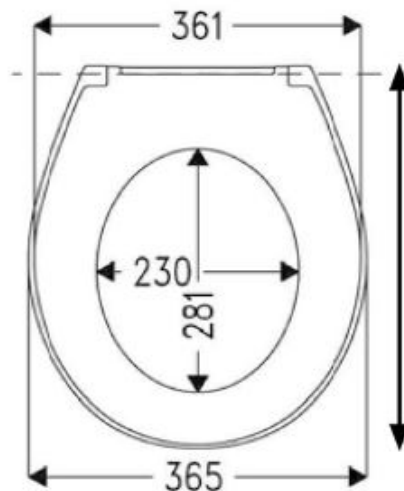
Product Code	STWHSCUNP
Weight (Kg)	1.3
Material	Plastic
Soft close	Yes
Colour	White
Fixing	Bottom Fix

Key features:

- 5 Year guarantee on soft close seats*
- Soft close hinge is gel filled for smoother close
- CE compliant

Description:

Made from highly durable polypropylene, this seat is available with either a standard or soft close hinge



All dimensions are approximate and subject to variation. Although every effort is made not to change the above product specification, Lecico reserve the right to do so without prior notification if necessary. Full information on guarantees available upon request.