

.....

SPECIFICATION SHEET

COLLECTION: SIRKEL
PRODUCT CODE: AX-SIR-149T-CP



DESCRIPTION:

exposed round thermostatic 1/2" shower valve
1/2" x 3/4" x 50mm eccentrics
thermostatic cartridge S-701-31S
flow cartridge H-202-RTC
minimum operating pressure 1.0 bar

FINISH:

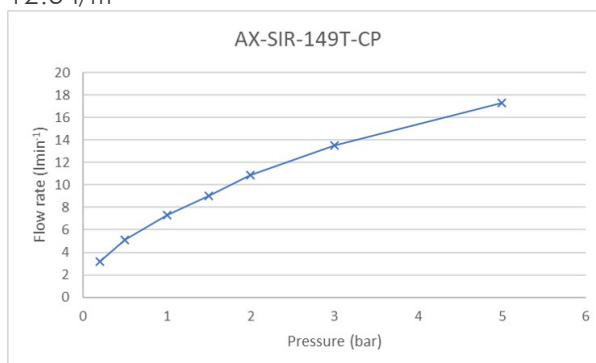
Chrome

MINIMUM OPERATING PRESSURE:

1.0 bar MP

FLOW RATE AT 3.0 BAR FLOW PRESSURE:

12.6 l/m



CONTACT

SALES: 01934 744466

AFTERSALES: 01934 745163

EMAIL: SALES@VADO.COM

WWW.VADO.COM/AXCES

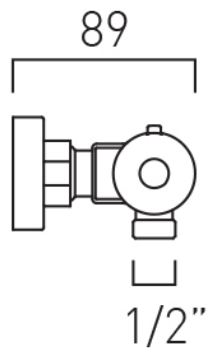
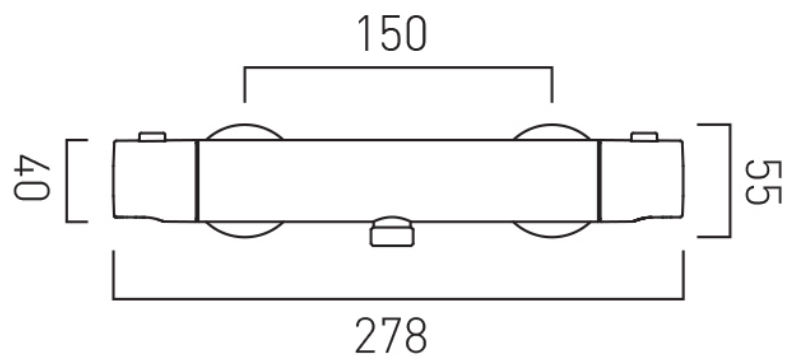
AXCES
by VADO

.....

TECHNICAL DRAWING

COLLECTION: SIRKEL

PRODUCT CODE: AX-SIR-149T-CP



CONTACT

SALES: 01934 744466

AFTERSALES: 01934 745163

EMAIL: SALES@VADO.COM

WWW.VADO.COM/AXCES

AXCES
by VADO