



nuova

100% WATERPROOF



REARO[®]
HOME SURFACES

What is Nuova?

Nuova Board is the new solution to bathroom and wet room installation, ensuring both design and quality where it counts.

Guaranteed to be 100% waterproof, the synthetic homogenous foam blend core is impervious to water and represents a greener alternative to similar polymer-based boards.

Tried and tested

Extensive testing has been carried out on this new core ahead of entering the market. At its most recent check Nuova has lasted over one year with no damage or delamination.

Produced within the UK to the highest standards, Nuova board is supplied as a complete wall lining system with matching Topseal sealant and a range of extrusions for the perfect finish.





Iced Quarstone





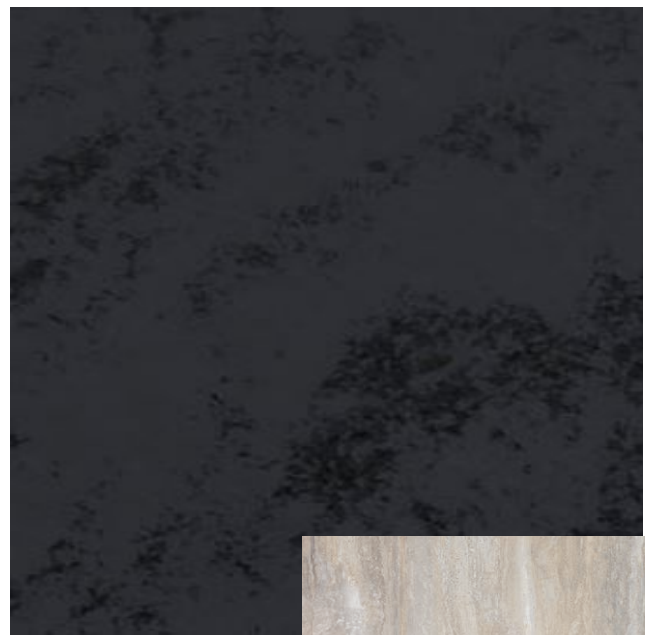
Offering a choice of 10 stunning décors, the Nuova range can imitate a variety of stone and wood finishes for your bathroom.

Produced using top quality laminate decors that are manufactured in the UK with no repeated pattern across a full panel, providing a virtually seamless join.

As demonstrated by our Nera Stone décor, our designs have been selected to make a statement of opulence.

Future Proofed

Each of our decors have been selected by leading European trend forecasters and are guaranteed to be future proofed for the next five years.



Nera Stone



Travertine Silver





Easy to clean

The smooth and non-porous surface of Nuova panels prevents the collection of water, normally associated to tiles, inhibiting the growth of mould or germs.

A simple wipe down with a damp cloth is all that is required to keep Nuova looking like new.



Dolce Vita

30% lighter

When compared to similar MDF and plywood cores, Nuova board is extremely light weight.

Each Nuova board weights only 17 Kg which is 30% less than a traditional wet wall panel.

The combination of lightweight and excellent dimensional stability means Nuova is easily manoeuvrable, making it the ideal board to install.

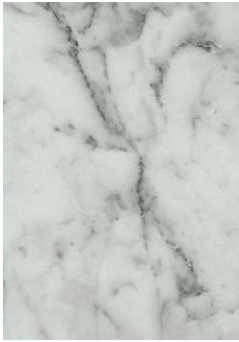


Baron Elm





10 stunning décors to choose from



Calacatta Marble



Dolce Vita



Italian Graniglia



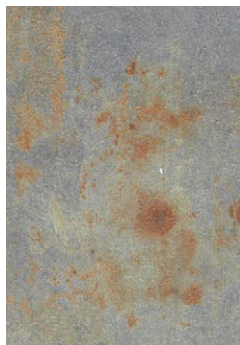
Iced Quarstone



Baron Elm



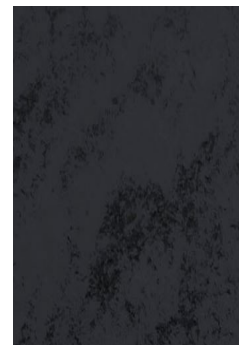
Travertine Silver



Iron Oxide



Elemental Ash



Nera stone



Weathered
Beamwood

Tongue & Groove Option



Also available with a Tongue & Groove profile, Nuova is incredibly simple to install, offering a 'straight over tiles' solution.

Supplied as a complete wall lining system, Nuova comes with matching Topseal and a range of extrusions for the perfect finish.

The entire collection is also available 'off the shelf' for your convenience.

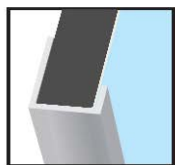
Easy to install

Installation is quick and easy, saving time and money in comparison to traditional methods.

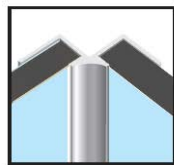
Corner profiles, end caps, shower tray seals and Nuova Topseal Colour Match sealant (when using 'tongue & groove' joints for the perfect finish) are all available.

Nuova can be supplied complete with a range of required finishing trims; internal corner, external corner, end cap, quad end cap and H sections..

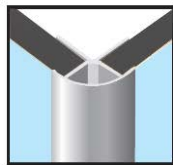
All profiles are available in satin aluminium, polished silver, black or white finishes.



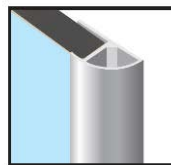
End cap



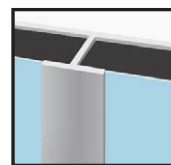
Internal Corner profile



External corner profile



Quad end cap profile



H Section

Technical Specification

- Height: 2420mm
- Width: 1200mm (Tongue & Groove: 1150mm)
- Thickness: 10mm
- Weight: 17 kg
- Core substrate: Black synthetic homogenous core
- Colours: Range of 10 décors
- Jointing: Square Edge / Tongue & Groove on request
- Resistance to water: 100% waterproof



REARO[®]
HOME SURFACES

**Loanbank House, Loanbank Quadrant,
Glasgow, G51 3HZ**

T: 0141 440 0800
F: 0141 445 3342
E: sales@rearo.co.uk
www.rearo.co.uk

Rearo Northampton

5 Britannia Trade Park
Northampton
NN5 7UA

T: 01604 212559

E: northampton@rearo.co.uk

Rearo Rosyth

Unit 15 & 16 Primrose Lane
Dunfermline Business Park
Rosyth
KY11 2RN

T: 01383 414000
F: 01383 414400

E: rosyth@rearo.co.uk

Rearo Washington

Unit 15 Tilley Road
Crowther Industrial Estate
Washington Tyne & Wear
NE38 0AE

T: 0191 482 2298
F: 0191 482 6245

E: washington@rearo.co.uk



nuova

DOMESTIC 2 OR 3 SIDED SHOWER INSTALLATION GUIDE

Please carefully read the following information to ensure that you do not invalidate your 10 year guarantee.

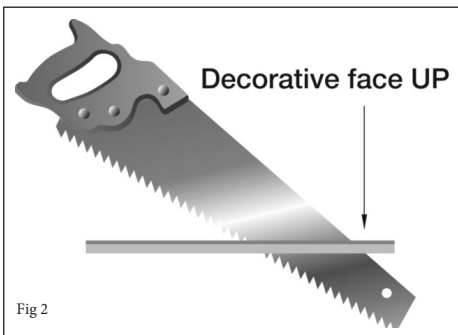
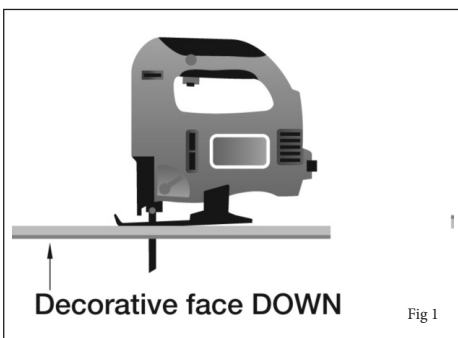
Nuova Board

Domestic Bathroom Installation Instructions

Tools

We recommend that the following tools are available prior to installation.

•Pencil & Ruler • Measuring Tape •Jigsaw or Hand saw •Masking Tape •Highgrab adhesive •Silicone Sealant.



Wall preparation

It is essential that walls should be completely dry before installing Nuova and any source of dampness is treated. Wherever possible, remove existing wall coverings such as wall paper and fabrics. There is no need to make good the surface to be covered.

Please ensure thermal expansion is taken into consideration when preparing the wall.

Cutting of Panels

When using a jig-saw (with upward cutting jig-saw blade), panels should be cut from the back, decorative face down (Fig1) to prevent chipping of the laminate surface. When using a standard hand saw - decorative face should be UP (Fig 2). For the best results - where possible apply masking tape along the line of cut.

Cutting Apertures

Although Nuova Board has a highly durable finish, care should be taken when cutting apertures or inspection hatches. Internal corners of apertures and cut outs MUST always be smoothly radiused to as large as possible, with a 5mm minimum radius. This radius should be increased as the side lengths of the aperture are increased. (Fig 4)

Ensure that wooden blocks are placed below your drilling areas to prevent 'burst out' and any possible damage to the decorative face.

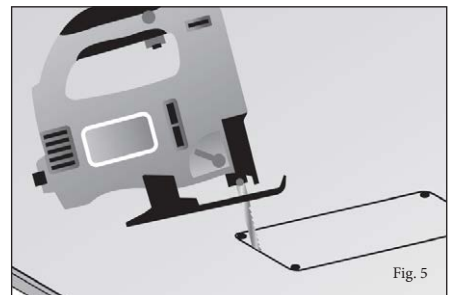
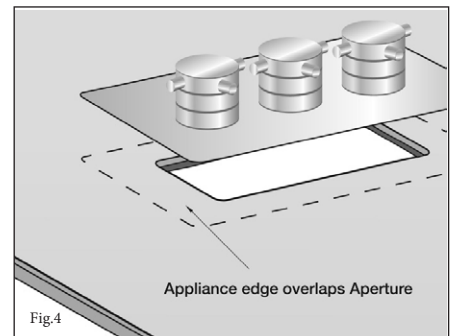
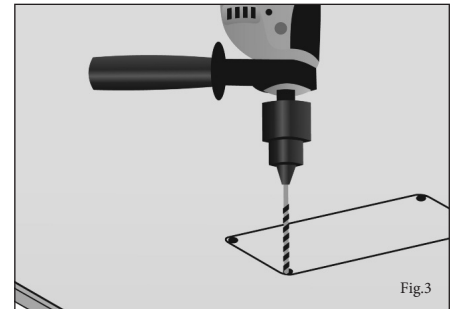
Mark out cutting shape to rear face and drill positions on front ensuring one at each corner.

Drill holes at suitable intervals around perimeter of shape on front face. Leave a 3mm clearance around all pipes and accessories and seal with silicone sealant.

Using jigsaw, slowly cut around perimeter of shape on rear face, taking care to cut through the centre of drill holes.

When measuring distance from walls, or past shower enclosures, allowances should be made for the thickness of aluminium profiles and the space between walls and profiles.

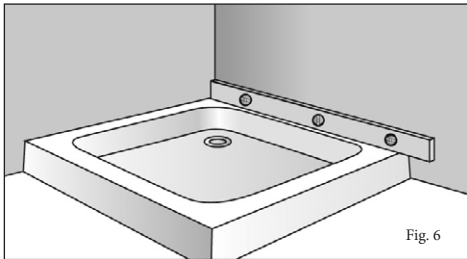
Ensure that your fitting overlaps the aperture cut-out. (fig 6)



2 Sided Shower Enclosure

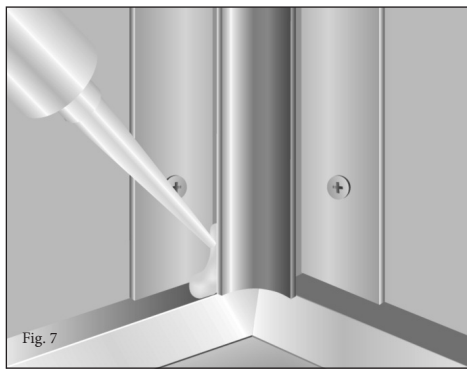
(a) Position shower tray, level and fix in accordance with the manufacturer's instructions (fig 6).

(b) Begin by securely screw fixing the internal corner profile extrusion in the required position (fig 7), ensuring that it is plumb in both directions.



(c) **Before measuring the correct height and width of the panel please remove the tongue and groove to create a square edge finish, this will ensure a water tight fit.**

Please Note: Peel back the protective film at this stage by approx. 50mm to accommodate fitting. After cutting - we recommend a "dry fit" (before applying adhesive or Silicon Sealant) of the Nuova Board to ensure correct fitting.

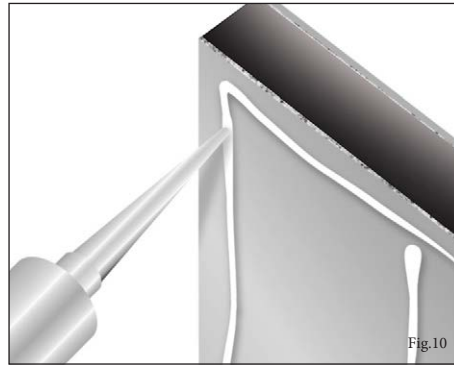


(d) Apply a generous bead of silicone sealant into the channel of the corner profile section (Fig.7).

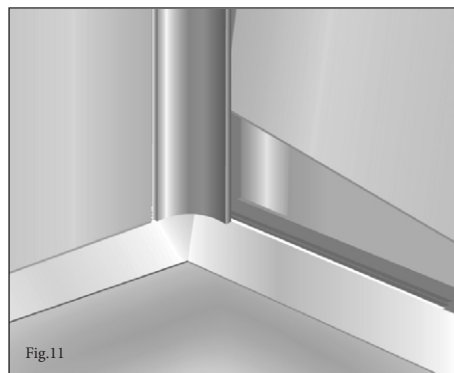
(e) If applying an 'end cap' (fig 9) apply a generous bead of sealant along the length of the 'end cap', then fix into position by applying hand pressure across the full area of the panel.



(f) Apply a bead of panel adhesive around the perimeter on the back surface of the panel along with a grid (approx 300mm squares) covering the full area of the panel (fig 10).



(g) Nuova Board should be fitted to be positioned just above the shower tray. Using 'packers', leave a 3-4 mm gap from the base of the Nuova board to the top edge of the shower tray.



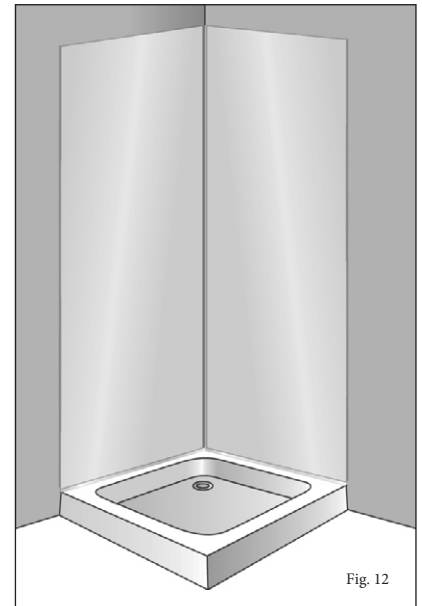
(h) Ease the panel into the corner profile and fit panel onto wall (fig 11).

(i) When the adhesive has set and the Selkie Board securely in position remove the 'packers'.

(j) Fill the gap between the tray and the panel with silicone so the panel is effectively sitting on a "bed" of sealant.

(k) Run bead of silicone to face of gap ensuring a neat smooth "perfect" finish (l) Repeat the same process on the adjacent panel.

(m) Remove the remainder of the protective film to complete the installation (fig12)'.

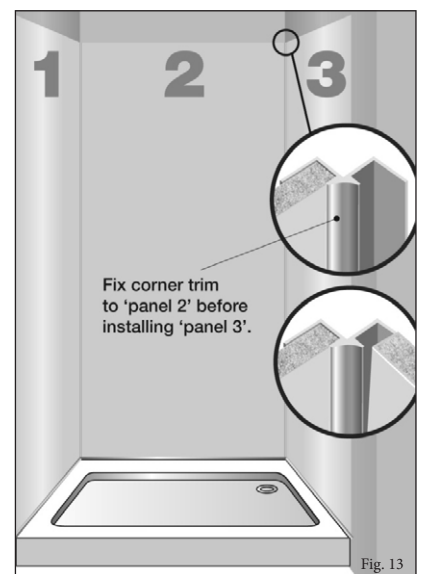


(g) Nuova Board should be fitted to be positioned just above the shower tray. Using 'packers', leave a 3-4 mm gap from the base of the Nuova board to the top edge of the shower tray.

3 Sided Shower Enclosure

When installing three Nuova Boards in a 'U' shape formation - follow the above guidelines, however ensure that the second internal corner profile is fitted to 'panel 2' - middle panel, prior to fixing to 'wall and before 'installing panel 3' (fig 13).

It is always wise to dry fit first to ensure a good fit.



Colour Match Sealant

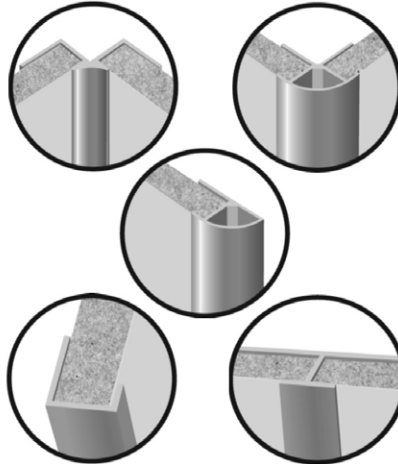
Important accessories to help with a successful installation of Nuova Board include:

Finishing Trims: designed specifically for Selkie Board are available in satin silver, polished chrome, white and black including : -Internal Corner Profile, External Corner Profile, End Cap, Quad End cap and 'H' section, for vertical application in heights above 2400mm height.

Sealants and Adhesives: For best results we recommend that Selkie Board is installed using an external grade 'high grab adhesive' such as GRIP FILL. This will quickly secure the Selkie Board to the fixed wall. For sealing of all profiles and trims we recommend the use of a clear silicone waterproof sealant.

If you are panelling an entire wall using tongue and grooved* panels, we recommend the use of Rearo colour matched sealant for a seamless finish.

*Please see Tongue and Grooved installation guide.



Finishing Trims

Where it is identified that there may be a risk of movement such as a flexible floor or the possibility of settlement it may be appropriate to use a system such as "Panseal". The Panseal kit ensures that the joint between the bottom of the Nuova Board and the top of the shower tray is secure and watertight. (fig 14) Please see fitting instructions supplied with kit.

Cleaning

Once installed, Nuova Board requires minimal maintenance. Nuova Board should be cleaned with warm water and a nonabrasive mild detergent.

Scouring products or similar products should not be used, and doing so may invalidate your warranty.



Please be aware that these instructions are not exhaustive, if you require further information, advice or are in any doubt as to how to proceed please contact our support team.

Please also note that for all installations there are some general, simple guidelines which must be followed without which our warranty would be invalidated including:

- all exposed edges of panels must be sealed.
- panels should never be fitted directly onto a shower tray without adequate sealing. Please see instructions.



nuova

TONGUE & GROOVE INSTALLATION GUIDE

Please carefully read the following information to ensure that you do not invalidate your 10 year guarantee.

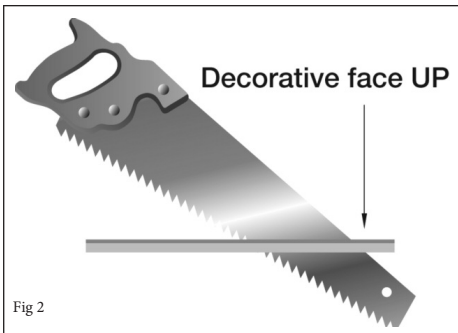
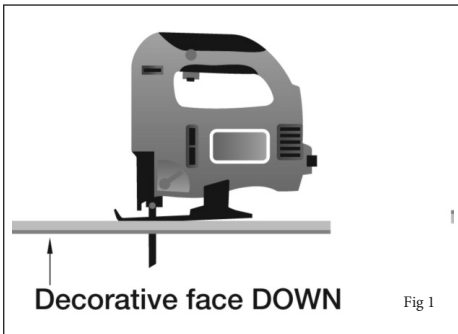
Nuova Board Tongue & groove

Larger Room or Commercial Installation

Tools

We recommend that the following tools are available prior to installation.

•Pencil & Ruler • Measuring Tape •Jig saw or Hand saw •Masking Tape •Highgrab adhesive• Silicone Sealant.



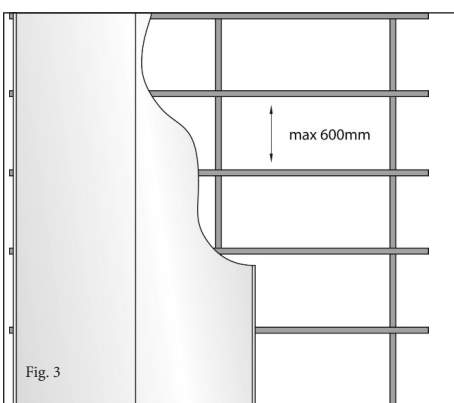
Wall preparation

It is essential that walls should be completely dry before installing Nuova and any source of dampness is treated. Wherever possible, remove existing wall coverings such as wall paper and fabrics. There is no need to make good the surface to be covered.

Groundwork

Rearo do not recommend direct fixing of Nuova to masonry or cement surfaces, however flat and well finished.

The best results for Nuova "Tongue and Groove" are achieved by securely fixing a groundwork of horizontal timber battens



e.g. 25mm x 50mm (rot proofed if required) at maximum 600mm centres, packed out to a true, flat and plumb surface. Always ensure a batten is placed at the extreme top and bottom of the panels. Vertical panels will be necessary around windows and doors. Additional battens must be used where heavy items such as cabinetry and sanitary-ware are to be fixed.

Cutting of Panels

When using a jig-saw (with upward cutting jig-saw blade), panels should be cut from the back, decorative face down (Fig1) to prevent chipping of the laminate surface. When using a standard hand saw - decorative face should be UP (Fig 2). For the best results - where possible apply masking tape along the line of cut.

Cutting Apertures

Although Nuova Board has a highly durable finish, care should be taken when cutting apertures or inspection hatches. Internal corners of apertures and cut outs MUST always be smoothly radiused to as large as possible, with a 5mm minimum radius. This radius should be increased as the side lengths of the aperture are increased. (Fig 4)

Ensure that wooden blocks are placed below your drilling areas to prevent 'burst out' and any possible damage to the decorative face.

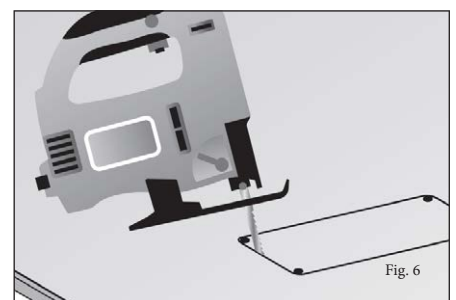
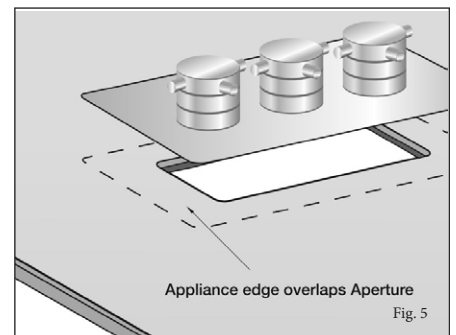
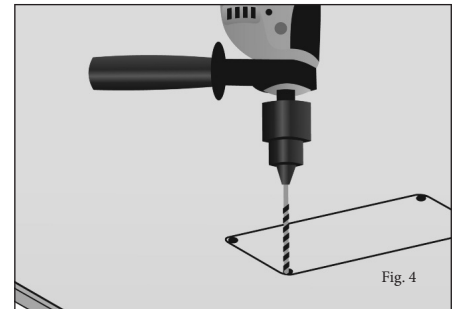
Mark out cutting shape to rear face and drill positions on front ensuring one at each corner.

Drill holes at suitable intervals around perimeter of shape on front face. Leave a 3mm clearance around all pipes and accessories and seal with silicone sealant.

Using jigsaw, slowly cut around perimeter of shape on rear face, taking care to cut through the centre of drill holes.

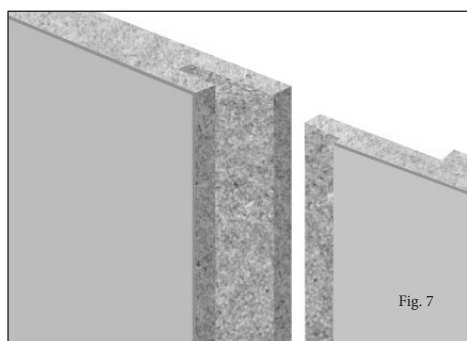
When measuring distance from walls, or past shower enclosures, allowances should be made for the thickness of aluminium profiles and the space between walls and profiles.

Ensure that your fitting overlaps the aperture cut-out. (fig 6)



Installation for a 2 or 3 sided shower enclosure

For larger installations Nuova Board may be supplied as a Tongue and Groove option. This is often a more practical option and together with colour matched sealant results in a professional installation. (fig 7)



Plan the room

Start in the corner furthest from the door, fix Nuova panels with 3/4" x No. 6 wood screws through the back shoulder of the groove (ensure that screw heads do not obstruct the tongue of the next panel) insert the tongue of the next panel into the groove and fix as before. (Fig 8)

Fixing tongue and groove panels

Tongue and groove panels should be dry jointed prior to final installation to ensure a sufficiently flush and tight joint will be achieved between all panels and also to ensure colour consistency between panels. Screws should be at 400 – 600mm centres with the bottom screw a maximum of 35mm from the bottom edge of the panel. Panels should always be screwed to the horizontal timber battens to ensure a smooth surface at maximum 600mm centres. (Fig 9).

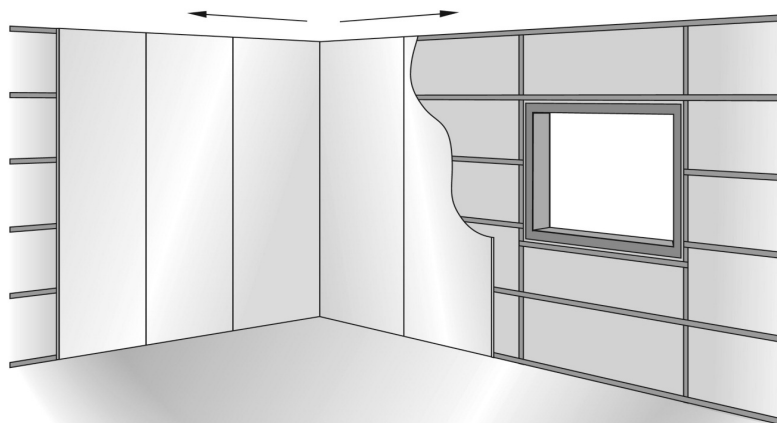
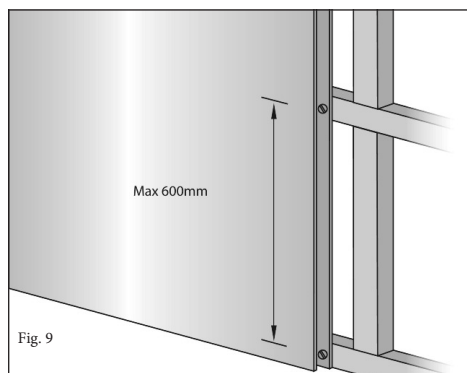


Fig. 8

Around the Room

Continue to work around the room, apply a ribbon of colour match sealant onto the long shoulder of the tongue of the next panel to be inserted. Insert the edge of the next panel. Again fix the panels into place through the back of the groove.

Cut the last panel of this wall section to size, fit corner profile to panel and swing panel into position. Screw fix profile along the free edge, again continue installing the panels, as before. For the last panel above the door, cut to size from the groove edge leaving the tongue intact. Rebate the back edge and insert the tongue into the groove (fig 6). Fix the rebated edge to the battens with panel adhesive.

Internal corners. (Fig 10)

First fix an internal corner profile in position ensuring that it is plumb. Cut off tongue edge to be fixed into profile, apply sealant along profile recess. Please note: take care not to apply excessive silicone to channels in profiles. Insert the cut edge of the panel (fig 4).

Using a 3/4 No 6 screw, fix the opposite edge to the batten through the back of the groove.

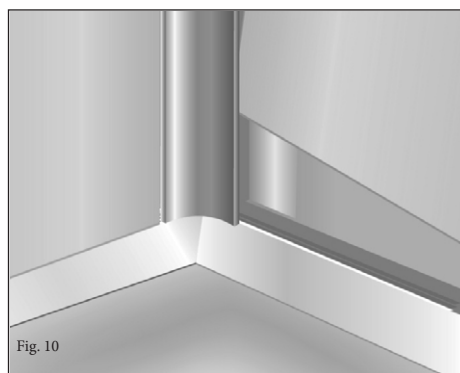


Fig. 10

External corners (Fig 11)

Cut panel to size. Locate edge profile on square edge and place panel into position (fig 7). Fix using 3/4 No6 screws through exposed profile section tongue. A few dabs of sealant applied to the battens will help secure the panel. Trim tongue of next panel, insert into profile and continue to fix as normal. The external corner profile can (when required) also be used around windows.

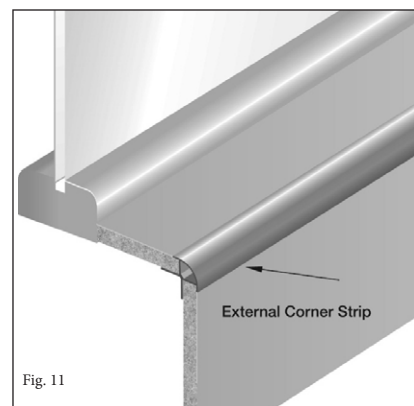


Fig. 11

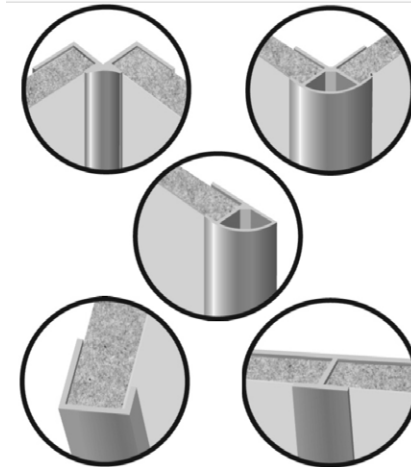
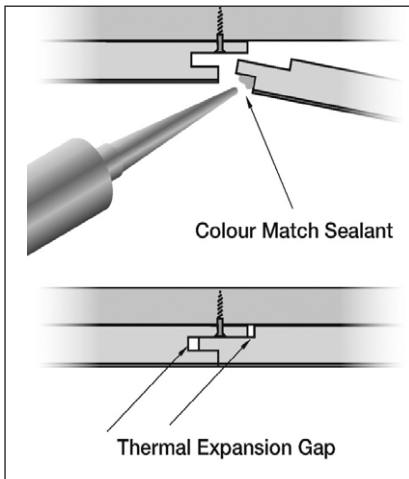
NOTE:

These instructions are our fitting recommendations. Other methods of installation can be applied such as using panel adhesive and adhering to a flat plastered wall. Alternative installation methods can be used at the discretion of the installer.

Colour Match Sealant

Nuova Top Seal colour matched sealant will enhance your installation and provide a sanitary quality waterproof and flexible seal that will not crack.

- Ensure that surfaces are clean, dry and grease free
- Apply a thin bead onto tongue
- Bring the two panels together and apply pressure until the joint is closed
- A small bead of sealant will squeeze out of the joint, which should be allowed to dry for 10-15 minutes
- Clean off remaining adhesive by wiping across the joint with a damp cloth. (If the adhesive is allowed to dry a strong solvent will be required).



Finishing Trims

Nuova Tongue & Groove panels can be supplied complete with a range of required finishing trims – Internal corner, External corner, End cap, 'H' section (for vertical connection of installations more than 2400mm in high) & 'L' section

All profiles are available in satin silver, polished silver, white and black finishes.



Cleaning

Once installed, Nuova Board requires minimal maintenance. Nuova Board should be cleaned with warm water and a nonabrasive mild detergent.

Scouring products or similar products should not be used, and doing so may invalidate your warranty.



Please be aware that these instructions are not exhaustive therefore please contact the Rearo technical team if you require further information, advice or are in any doubt as to how to proceed. Please also note that for all installations there are some general, simple guidelines which must be followed without which our warranty would be invalidated including:

- all exposed edges of panels must be sealed
- panels should never be fitted directly onto a shower tray without adequate sealing. please see instructions
- It is always wise to dry fit first to ensure a good fit

Fitting tongue & grooved panels

- Please note: Direct fixing of Nuova T&G boards to masonry or cement surfaces, however flat and well finished, is not recommended
- As with all laminate wall cladding panels that allow for thermal expansion, a chamfer is machined onto the surface of the tongue and groove joints of each panel. A watertight fix is achieved using our colour matching acrylic sealant as appropriate.
- Clean with warm water and a non-abrasive mild detergent. Scouring products or similar products should not be used.