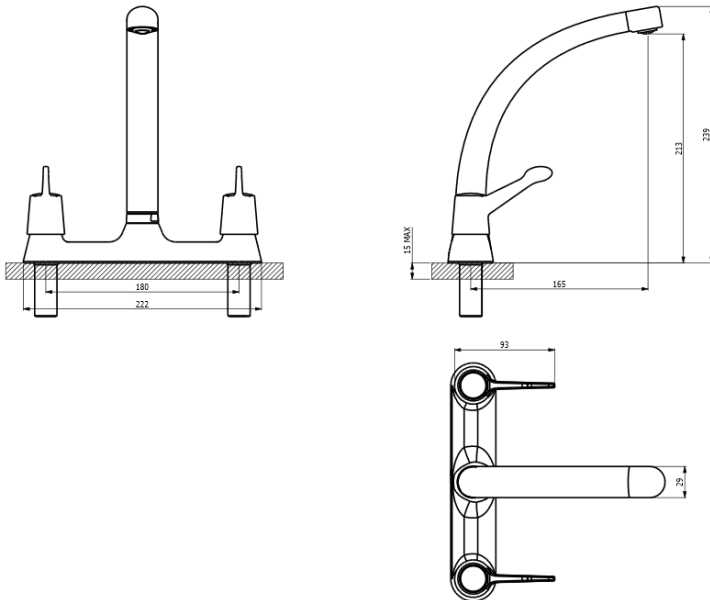


# ARAYA QT

## 922075 – DECK SINK MIXER

FRANCIS PEGLER

www.francispegler.co.uk



### Specification

Finish	Chrome
Body	Brass
Fittings	Metal Backnut & Washer
Connection	½" BSP Threaded Tail

Min dynamic pressure 0.1

Max dynamic pressure 6

Max static pressure 16

Max water temperature 60°C

### Flow rates

Pressure	0.1	0.5	1	3
F/Straight	5.3	18.5	26.9	46.4

All Pressures in Bar. All flow in L/Min.

Dimensions supplied are nominal and subject to tolerance.

Inclusion or restrictors (sold separately unless stated) will affect flow rate result.

Performance details are based on trials under test conditions and for guidance only.

The Company reserves the right to change product specification without prior notice.

### Features & Benefits



Guarantee



Low Pressure



Metal Back  
Nut



Flow  
Straightener



Single Flow

### Certifications



Tested at 0.2 bar