

Nickel Plated Lever Ball Valves for Water

A range of reliable lever ball valves that enable water to be shut off from fixtures and appliances quickly and easily.

Overview

Nickel Plated Ball Valves for Water contain a sphere inside the valve which has a borehole through the centre allowing for on/off control of water flow. The lever positioned outside the valve turns the ball valve inside. The borehole can be aligned to the same direction as the pipe, opening the valve and allowing water to flow through. When the valve is closed, the borehole faces the side of the pipe.

The Nickel Plated Ball Valves provide a reliable and leak tight seal that allows for water supply to be shut off quickly and easily. The water valves are available in a range of PN25 compression connections, as well as our latest push-fit variation. Incorporating JG Speedfit, the new range can be fitted and dismantled without tools, making installation and servicing even easier and faster.

Features

- Nickel plated brass
- Interchangeable red and blue lever indicators for hot and cold water (JG Speedfit version only)
- Available with a variety of sizes and connection ends

Benefits

- Reliable water shut off valve with easy to operate lever handle
- Fast and simple to install
- Isolates water to fixture or appliance making maintenance quicker and easier
- 5 year guarantee for extra peace of mind

Product code	Description	Size
BVAL400060	Ball Valve with Blue Handle	15mm PN25 compression
BVAL400070	Ball Valve with Blue Handle	22mm PN25 compression
BVAL400080	Ball Valve with Blue Handle	28mm PN25 compression
BVAL400090	Ball Valve with Blue Handle	35mm PN25 compression
BVAL400100	Ball Valve with Blue Handle	42mm PN25 compression
BVAL400110	Ball Valve with Blue Handle	54mm PN25 compression
BVAL400061	Ball Valve with Red Handle	15mm PN25 compression
BVAL400071	Ball Valve with Red Handle	22mm PN25 compression
BVAL400081	Ball Valve with Red Handle	28 mm PN25 compression
BVAL400091	Ball Valve with Red Handle	35mm PN25 compression
BVAL400101	Ball Valve with Red Handle	42mm PN25 compression
BVAL400111	Ball Valve with Red Handle	15mm PN25 compression
BVAL400200	Ball Valve with Blue/Red Handle	15mm PN10 push-fit*
BVAL400210	Ball Valve with Blue/Red Handle	22mm PN10 push-fit*

*If using PEX pipe, a JG Speedfit Superseal Insert must be used to maintain the roundness of the pipe and to add extra strength to the joint.

BVAL400070



BVAL400110



BVAL400091



BVAL400111



BVAL400210



Nickel Plated Lever Ball Valves for Water

Working parameters & specifications (MBSP and compression connection ends)

Max pressure / temperature 25.0 bar / 85°C

This product is not suitable for chilled water applications due to the risk of stress corrosion cracking (SCC)

Working parameters & specifications (Push-fit connection ends)

Max pressure / temperature 6.0 bar / 95°C 10.0 bar / 70°C

This product is not suitable for chilled water applications due to the risk of stress corrosion cracking (SCC)

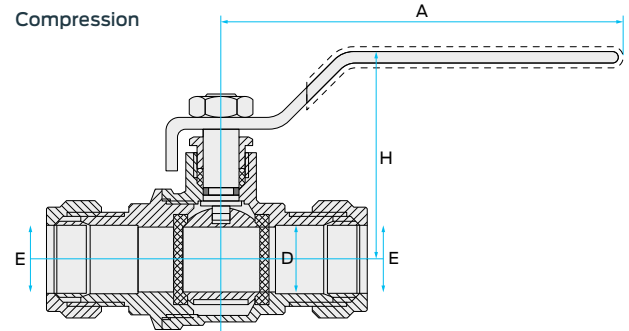
Applications

Domestic Hot & Cold Water	✓
Central Heating Systems	✓

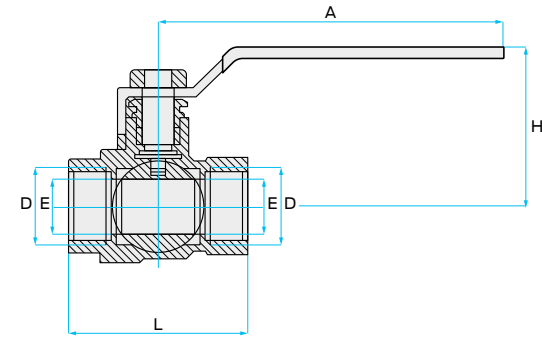
Materials

Body	Nickel plated brass
Ball	Chrome plated brass
Stem	Brass
Seals	EPDM
Lever	Zinc plated steel/PVC sleeve
Seats	PTFE

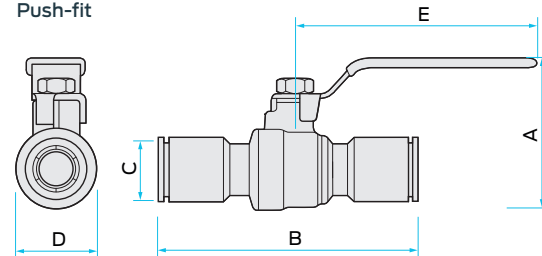
Dimensions – All measurements in mm unless otherwise stated



Female threaded



Push-fit



Size (Compression)	A	D	E	L	H
15mm	88	14.5	15	70.5	47
22mm	100	19	22	82	52
28mm	125	24.5	28	91	65
35mm	142	31.5	35	108	78
42mm	142	40	42	123	88
54mm	165	50	54	144	96

Size (Female thread)	A	D	E	L	H
1/4"	80	10	G 1/4"	45	41
3/8"	80	10	G 3/8"	45	41
1/2"	92	15	G 1/2"	48	45
3/4"	92	20	G 3/4"	57	48
1"	105	25	G 1"	68.5	54
1 1/4"	105	32	G 1 1/4"	80.5	63
1 1/2"	157	40	G 1 1/2"	91	68
2"	157	50	G 2"	109	86
2 1/2"	225	60	G 2 1/2"	146	122

Size (Push-fit)	A	B	C	D
15mm	55	87	25	28
22mm	60	104	30	37