

HOU 3HBF C

HOURGLASS Tap Range Hourglass 3 Hole Bath Filler Chrome



Features:

- Long life and easy to use 1/4 turn ceramic disc valves
- Metal back nuts for added durability
- Minimum working pressure of 0.3 bar

Product Certifications:



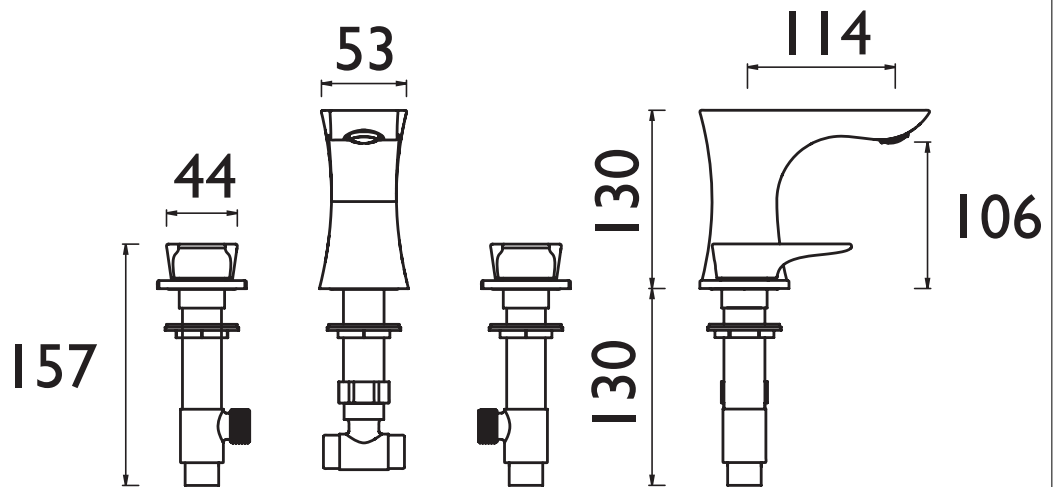
For more products, visit our website:
<http://www.bristan.com>



Specification

Product Type:	Bathroom Taps
Main Construction Material:	Brass
Mount Type:	Deck Mounted
Handle Type:	Lever Handles
Connection Inlet:	3/4" BSP
Connection Outlet:	Flow Straightener
Number of Tap Holes:	1
Valve/Cartridge Type:	Quarter Turn 1/2" Ceramic Disc Valves
Plumbing System Requirements:	Suitable for Nominally Balanced Supply Pressures Only
Working Pressure Range:	Min. 0.2 Bar - Max. 5.0 Bar
Maximum Hot Water Temperature: °C	65
Maximum Static Pressure: (bar)	10
Flow Type:	Single Flow
Isolation Included:	No

Dimensions (measurements in mm)



Flow Rates (l/min)

System Pressure (bar)	0.2	0.5	1	2	3	5
HOU 3HBF C	16.1	29.7	42.7	60.3	74.71	96.45

TECHNICAL
DATA
SHEET



BRISTAN

D2