

TOILET SEATS

MODUFIX TOILET SEATS

UNIVERSAL SHAPE TOILET SEATS

D SHAPE TOILET SEATS

SPECIAL NEEDS TOILET SEATS

Celmac
wirquin









FIT FOR ALL

HOW TO SELECT YOUR PERFECT CELMAC WIRQUIN SEAT

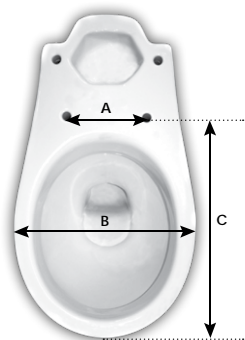
STEP 1

First consider the application of the seat and the environment where it will be installed. This will help you make your material choice.

Material	THERMOSET Urea formaldehyde, a dense thermoset plastic	Material	THERMOPLASTIC Tough polypropylene seats	Material	MOULDWOOD High compression wood with glossy paint finish
Assets	<ul style="list-style-type: none"> ▶ High resilience ▶ Durable ▶ Naturally anti-bacterial ▶ Ceramic effect 	Assets	<ul style="list-style-type: none"> ▶ Easy to clean ▶ Shatterproof ▶ Recyclable 	Assets	<ul style="list-style-type: none"> ▶ Heavy weight ▶ Gloss finish
Application	High traffic  Public places 	Application	Everyday use  Cost effective 	Application	Everyday use  Cost effective 
In 1 word	▶ Superior quality	In 1 word	▶ Everyday use	In 1 word	▶ Domestic use

STEP 2

Now you need to think about the size of your seat. There are different measurements to consider.



- A: Distance between the middle of the 2 holes in the pan
- B: Width of the pan
- C: Projection from the middle of the 2 holes up to the front of the pan.

STEP 3

Then select the shape of your bowl to find out which seats will fit appropriately.



Traditional rounded shape.



D-Shape



Bespoke shape.
For information please contact the sales office

STEP 4

Finally, decide which seat design and hinge type best suits your requirements.



HINGE TYPE

Bottom fixing is a traditional type of fitting where the underside of the mounting holes are accessible to allow the tightening of the hinge fixings.



Top fixing is required when there is a limited/no access to the underside of the hinge mounting holes (blind hole pans).



Quick release for easy removal of the seat without tools, enabling thorough cleaning for maximum hygiene



Soft close incorporating specialist dampers for a gentle, quiet closing action, offering added safety. No more trapped fingers.



Lock + is a clever innovation that stops seat movement by filling the gap between the bolt and the pan.

Lock plus is included as standard with the Modufix range.

PAN MATRIX

Discover our pan matrix on our website



WWW.CELMAC-WIRQUIN.CO.UK

1. Select your manufacturer
2. Select your suite
3. Find your matching seat



Melody toilet seat with Ideal Standard (Sandringham 21)

modufix®

▶ 5 hinge possibilities!

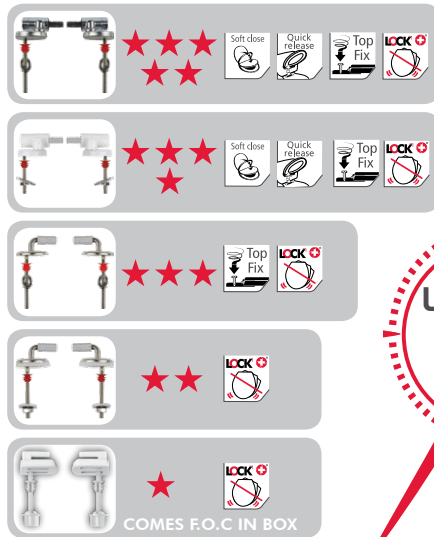


MADE IN THE UK



1 Choose your seat

2 Choose your hinge

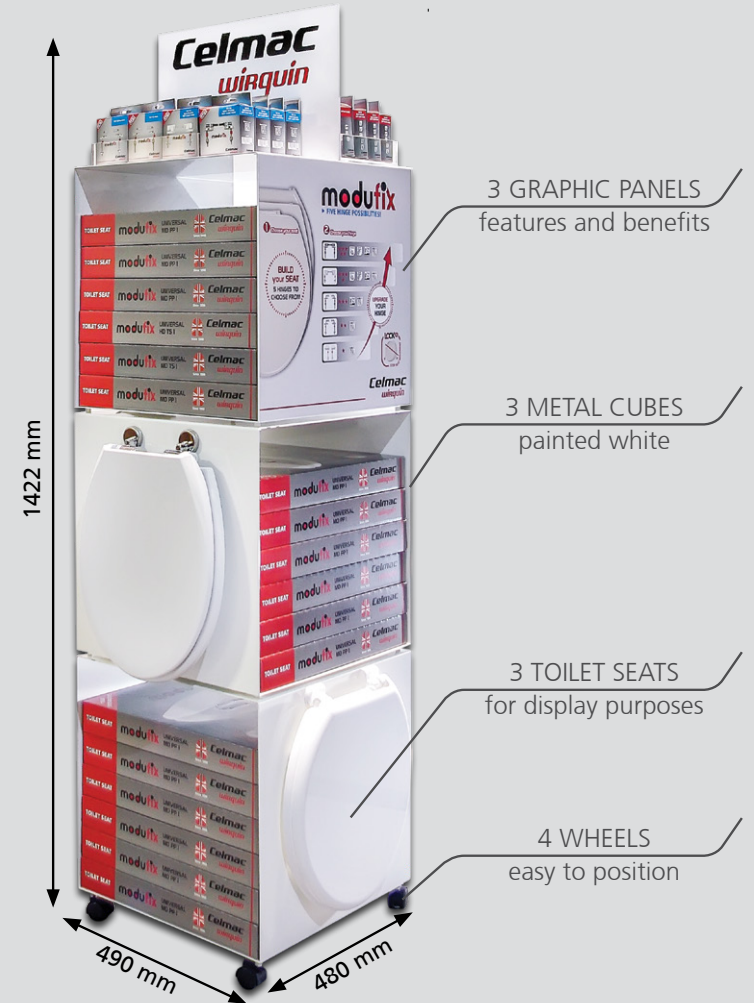


> World's first toilet seat manufacturer to offer upgradeable hinges

> Stop seat movement with **LOCK+®** included as standard with all Modufix hinges



FLOOR STANDING DISPLAY:



3 GRAPHIC PANELS
features and benefits

3 METAL CUBES
painted white

3 TOILET SEATS
for display purposes

4 WHEELS
easy to position

STARTER KIT:

- ▶ Order your starter kit
- ▶ 5 Seats and 2 sets of each hinge



Code	Description
20120375	Universal MD PP 1 Starter kit - (kit 1)
20120376	Universal HD TS 1 Starter kit - (kit 2)
20120377	Universal MD TS 1 Starter kit - (kit 3)

REFERENCE	DESCRIPTION
20120421	In store Toilet Seat presenter

1 Choose your seat

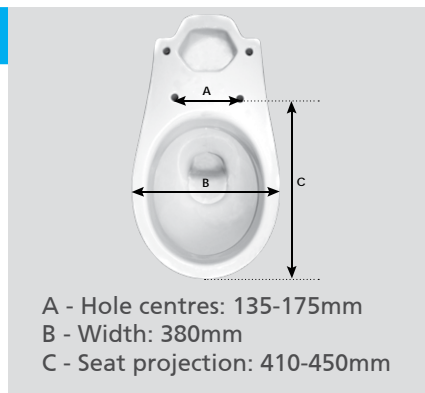
Universal HD TS 1



20120338

MOQ 5

- ▶ 2.1 kg Thermoset
- ▶ Ideal for heavy duty use
- ▶ Includes a FOC plastic hinge



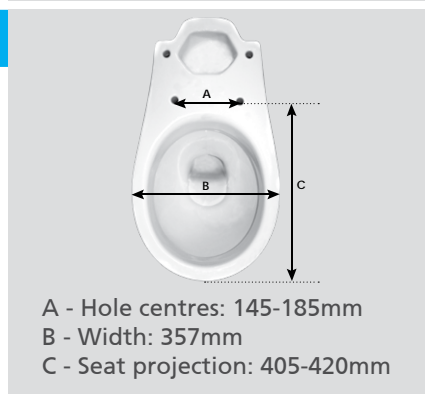
Universal MD TS 1



20120339

MOQ 5

- ▶ 1.4 kg Thermoset
- ▶ Ideal for medium duty use
- ▶ Includes a FOC plastic hinge



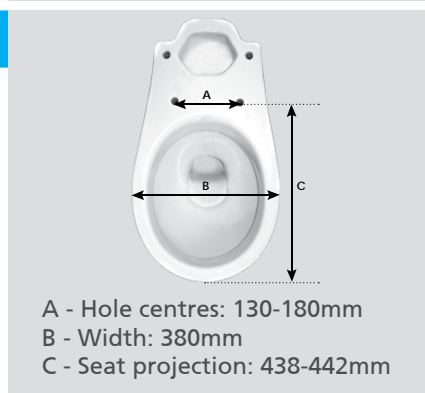
Universal MD PP 1



20120347

MOQ 5

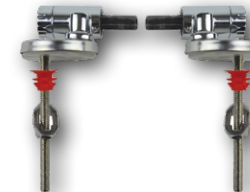
- ▶ 1.4 kg Thermoplastic
- ▶ Ideal for medium duty use
- ▶ Includes a FOC plastic hinge



2 Choose your hinge

20120342

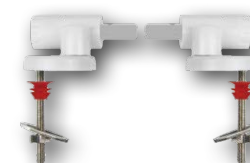
MOQ 8



- ▶ Soft close
- ▶ Quick release
- ▶ Top fix
- ▶ Adjustable
- ▶ **LOCK+**

20120343

MOQ 8



- ▶ Soft close
- ▶ Quick release
- ▶ Top fix
- ▶ Adjustable
- ▶ **LOCK+**

20120344

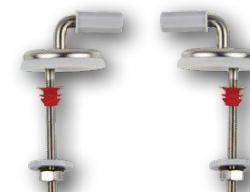
MOQ 8



- ▶ Top fix
- ▶ Adjustable
- ▶ 304 Stainless steel
- ▶ **LOCK+**

20120345

MOQ 8





- ▶ Bottom fix
- ▶ Adjustable
- ▶ 304 Stainless steel
- ▶ **LOCK+**

UNIVERSAL SHAPE

- Our seats fit most standard pans and come in a choice of covers including dished, domed or flat designs.

Description	Weight (kg)	Page number
NEON	0,9	15
INTERNATIONAL	1,0	15
CALYPSO	1,3	16
FLAMENCO	1,3	17
MELODY	1,3	17
SAPPHIRE	1,5	18
FIRST	1,5	19
FUSION	1,5	19
EMERALD	1,6	20
TANGO	1,7	20
SAXON	1,7	21
MADRIDIO	2,0	22
VIP	2,3	22
CAVALCADE	2,3	23
SONATA	2,7	24
WOODY paramount	3,0	25
DIPLOMAT	3,4	25
WOODY	3,5	26
WOODY LUX	3,5	26

**NOW AVAILABLE
AS A SPARE**

Description	Reference	Multiple	Application
 Red LOCK+	20120454	15 per bag	6mm Ø bolts
 White LOCK+	20120455	15 per bag	8mm Ø bolts

Please note, you should refer to individual seat pages to consider if LOCK+ is compatible. LOCK+ is only compatible when specified and we do not guarantee the fit outside of the specifications.

LOCK 

- holds the seat in place!

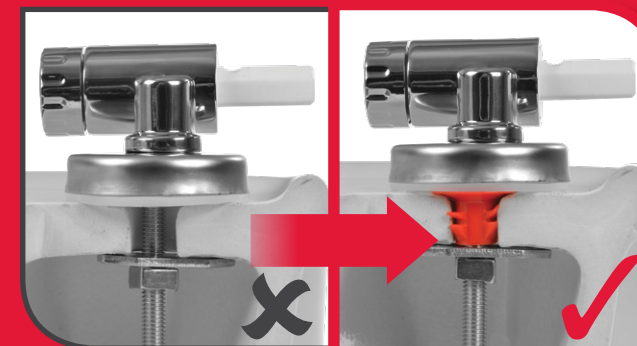
- Secure your seat
- Stop seat movement
- Increase seat lifespan



LOCK 



STOP SEAT MOVEMENT

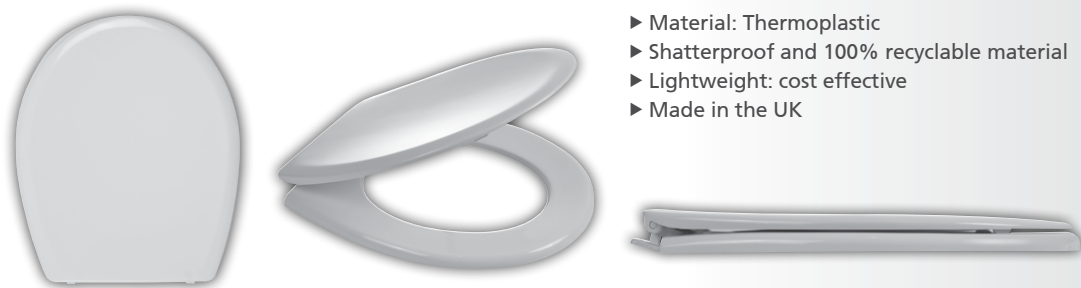


BEFORE

AFTER

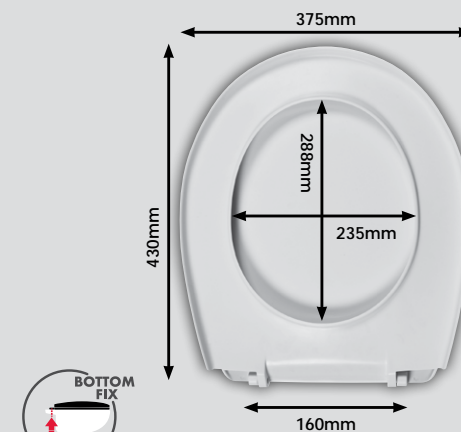
NEON

0,9kg



- ▶ Material: Thermoplastic
- ▶ Shatterproof and 100% recyclable material
- ▶ Lightweight: cost effective
- ▶ Made in the UK

Description	Reference	Hinge features	Hinge	Packaging	EAN code	Multiple/boxed	COMPATIBLE LOCK+
White seat + cover	20120453	Bottom FIX	140707	Individually shrink wrapped and boxed by 10	5017134146479	10 / 160	Included



140707

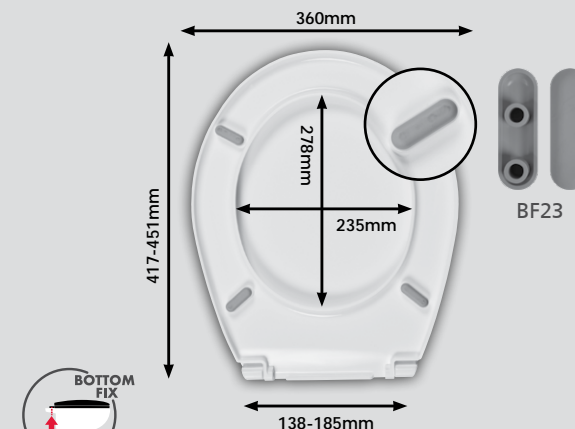
INTERNATIONAL

1,0kg



- ▶ Material: Thermoplastic
- ▶ Shatterproof and 100% recyclable
- ▶ Ideal for renovating work
- ▶ Made in the UK

Description	Reference	Hinge features	Hinge	Packaging	EAN code	Multiple/boxed	COMPATIBLE LOCK+
White seat + cover	SNL11WH	Bottom FIX	PP121	Individually boxed	5017134116649	100 per pallet	20120455
Black seat + cover	SNL11BL	Bottom FIX	PP121BL	Individually boxed	5017134117011	100 per pallet	20120455



PP121

PP121BL



BF23

MODUFIX
TOILET SEATS

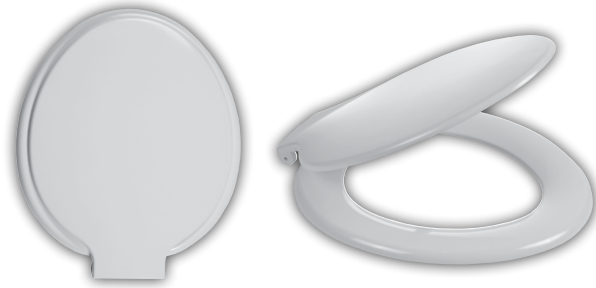
UNIVERSAL SHAPE
TOILET SEATS

D SHAPE
TOILET SEATS

SPECIAL NEEDS
TOILET SEATS

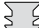

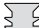
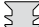
CALYPSO

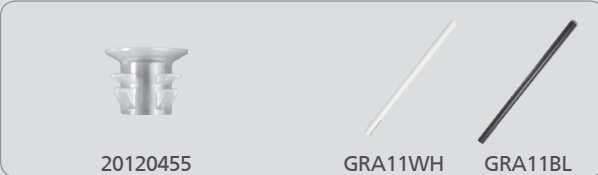
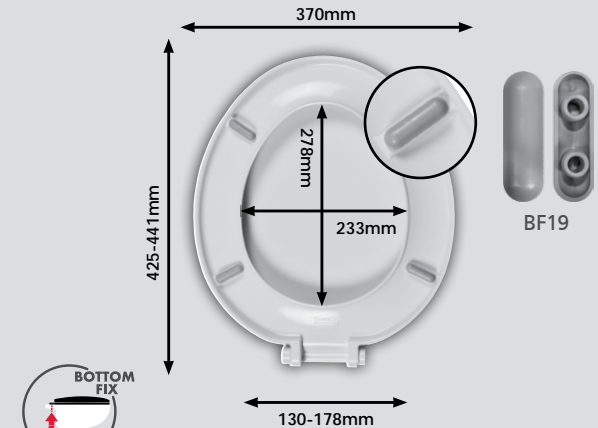
1,3kg



- ▶ Material: Thermoset
- ▶ Resistant to scratches, UV and chemicals
- ▶ Resilient : extremely strong, durable and hard wearing
- ▶ Hygienic : made of naturally antibacterial material
- ▶ Ideal for contract purposes for medium traffic areas
- ▶ Made in the UK
- ▶ Colour matching hinges



Description	Reference	Hinge features	Hinge	Packaging	EAN code	Multiple/boxed	COMPATIBLE LOCK+
White seat + cover 	SCA11WH	Bottom FIX	FDP11WH	Individually boxed	5012158689414	90 per pallet	 20120455
	SCA21WH	Bottom FIX	FDP11WH	Pack of 5	5012158650537	150 per pallet	 20120455
Black seat + cover 	SCA11BL	Bottom FIX	FDP11BL	Individually boxed	5012158080174	90 per pallet	 20120455
	SCA21BL	Bottom FIX	FDP11BL	Pack of 5	5012158650261	150 per pallet	 20120455
White seat only 	SCA61WH	Bottom FIX	FDP11WH	Pack of 5	5024139039064	150 per pallet	 20120455
Black seat only 	SCA61BL	Bottom FIX	FDP11BL	Pack of 5	5017134130065	150 per pallet	 20120455



FLAMENCO

1,3kg



- ▶ Material: Thermoplastic
- ▶ Shatterproof and 100% recyclable material
- ▶ Made in the UK
- ▶ Plastic or stainless steel hinges available

Description	Reference	Hinge features	Hinge	Packaging	EAN code	Multiple/boxed	COMPATIBLE LOCK+
White seat + cover	20120361	Bottom FIX	140300	Individually boxed	5017134133158	100 per pallet	Included
	20120362	Bottom FIX	217280	Individually boxed	5017134133165	100 per pallet	Included
	20120363	Top FIX	217279	Individually boxed	5017134133172	100 per pallet	Included
	20120456	Top FIX, QR, SC	217278	Individually boxed	5017134146509	100 per pallet	Included

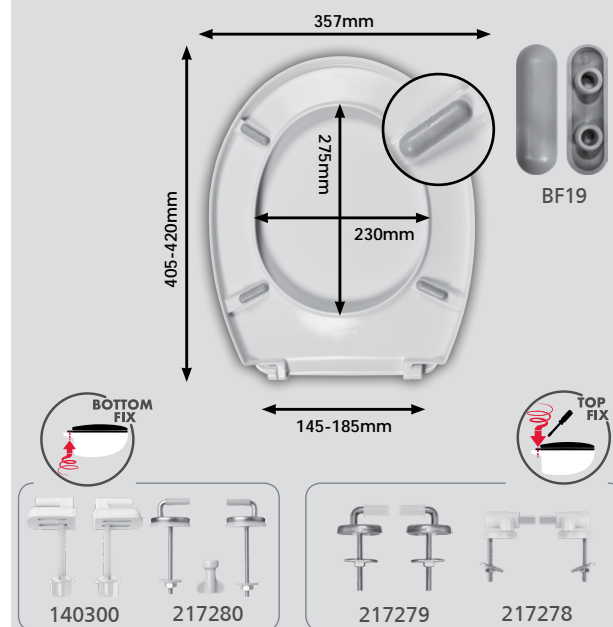
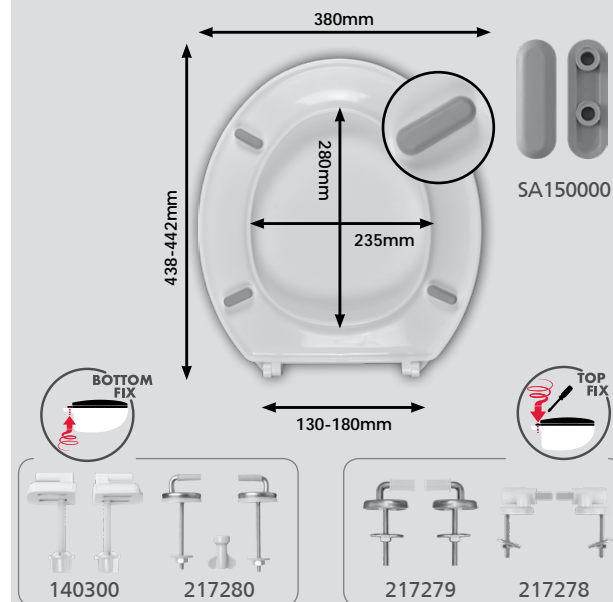
MELODY

1,3kg



- ▶ Material: Thermoset
- ▶ Resistant to scratches, UV and chemicals
- ▶ Resilient : extremely strong, durable and hard wearing
- ▶ Hygienic : made of naturally antibacterial material
- ▶ Ideal for contract purposes for medium to high traffic areas
- ▶ Made in the UK
- ▶ Plastic or 304 stainless steel hinges available

Description	Reference	Hinge features	Hinge	Packaging	EAN code	Multiple/boxed	COMPATIBLE LOCK+
White seat + cover	20120349	Bottom FIX	140300	Individually boxed	5017134133035	90 per pallet	Included
	20120350	Bottom FIX	217280	Individually boxed	5017134133042	90 per pallet	Included
	20120351	Top FIX	217279	Individually boxed	5017134133059	90 per pallet	Included
	20120457	Top FIX, QR, SC	217278	Individually boxed	5017134146516	90 per pallet	Included



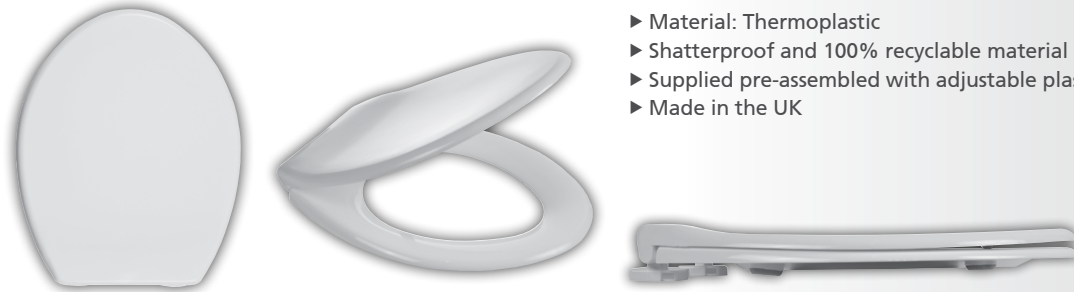
MODUFIX
TOILET SEATS

UNIVERSAL SHAPE
TOILET SEATS

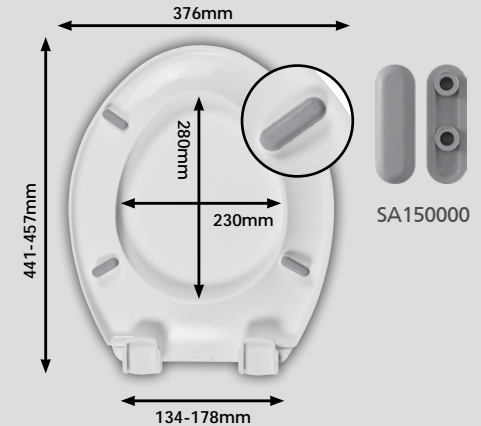
D SHAPE
TOILET SEATS

SPECIAL NEEDS
TOILET SEATS

SAPPHIRE



- ▶ Material: Thermoplastic
- ▶ Shatterproof and 100% recyclable material
- ▶ Supplied pre-assembled with adjustable plastic hinges
- ▶ Made in the UK



Description	Reference	Colour	Hinge features	Hinge	Packaging	EAN code	Multiple/boxed	LOCK+
White seat + cover	SSP11WH		Bottom FIX	Pre assembled	Individually boxed	5017134106763	100 per pallet	NA
Black seat + cover	SSP11BL		Bottom FIX	Pre assembled	Individually boxed	5017134106633	100 per pallet	NA
Champagne seat + cover	SSP11CH		Bottom FIX	Pre assembled	Individually boxed	5017134106657	100 per pallet	NA
Soft cream seat + cover	SSP11SC		Bottom FIX	Pre assembled	Individually boxed	5017134106725	100 per pallet	NA
Whisper grey seat + cover	SSP11WG		Bottom FIX	Pre assembled	Individually boxed	5017134106756	100 per pallet	NA



SSP11BL



SSP11CH



SSP11SC



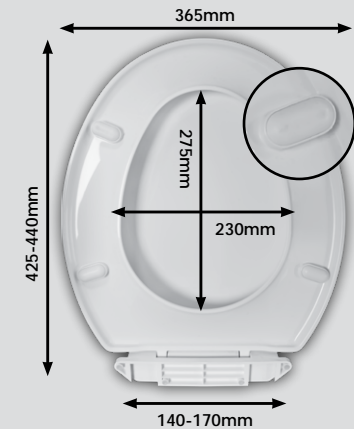
SSP11WG

FIRST



- ▶ Material: Thermoplastic
- ▶ Shatterproof and 100% recyclable material
- ▶ Successfully tested to 10,000 opening/closing cycles

Description	Reference	Hinge features	Hinge	Packaging	EAN code	Multiple/boxed	LOCK+
White seat + cover	20718747	Bottom Fix, SC	Pre assembled	Individually boxed	3375537186945	1/6/108	NA

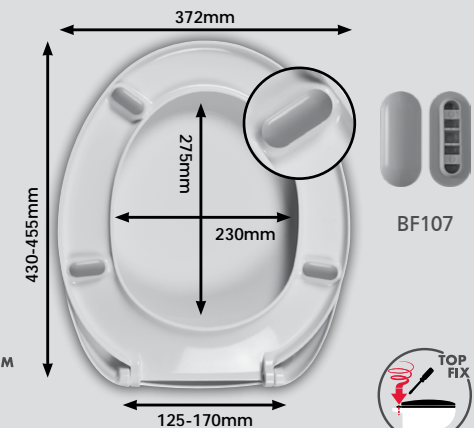


FUSION



- ▶ Material: Thermoset
- ▶ Resilient : extremely strong, durable and hard wearing
- ▶ Resistant to scratches, UV and chemicals
- ▶ Hygienic : made of naturally antibacterial material
- ▶ Ideal for contract purposes for medium to high traffic areas
- ▶ Made in the UK

Description	Reference	Hinge features	Hinge	Packaging	EAN code	Multiple/boxed	COMPATIBLE LOCK+
White seat + cover	20120352	Bottom FIX	217280	Individually boxed	5017134133066	90 per pallet	Included
	20120353	Top FIX	217279	Individually boxed	5017134133073	90 per pallet	Included
	20120354	Top FIX, SC	FSXSTSS	Individually boxed	5017134133080	90 per pallet	Included



217280



217279



FSXSTSS

MODUFIX
TOILET SEATS

UNIVERSAL SHAPE
TOILET SEATS

D SHAPE
TOILET SEATS

SPECIAL NEEDS
TOILET SEATS

EMERALD

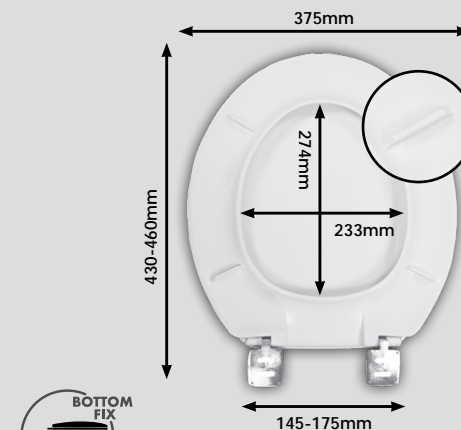
1,6kg



- ▶ Material: Thermoplastic
- ▶ Shatterproof and 100% recyclable material
- ▶ Made in the UK
- ▶ Set British Standard 1254 Type 2
- ▶ Ideal for specification

SINCE
1992

Description	Reference	Hinge features	Hinge	Packaging	EAN code	Multiple/boxed	LOCK+
White seat + cover	SEM11WH	Bottom FIX	WHITE - Pre assembled	Individually boxed	5017134106527	100 per pallet	NA
	SEM18WH	Top FIX	CHROME - Pre assembled	Individually boxed	5017134116212	100 per pallet	NA
Black seat + cover	SEM11BL	Bottom FIX	BLACK - Pre assembled	Individually boxed	5017134106428	100 per pallet	NA
	SEM18BL	Top FIX	CHROME - Pre assembled	Individually boxed	5017134116236	100 per pallet	NA



Plastic hinge



Chrome plated hinge

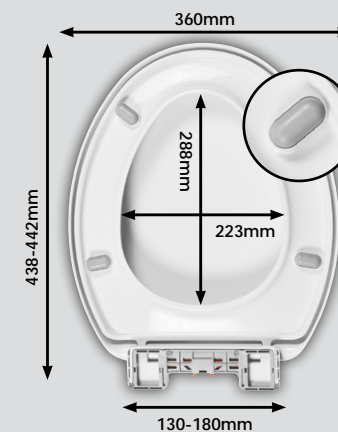
TANGO

1,7kg



- ▶ Material: Thermoplastic
- ▶ Shatterproof and 100% recyclable material
- ▶ Easy to remove for easier cleaning
- ▶ Ideal for blind holes pans

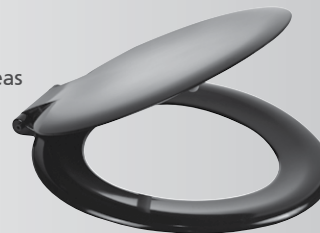
Description	Reference	Hinge features	Hinge	Packaging	EAN code	Multiple/boxed	LOCK+
White seat + cover	STG11WH	Top Fix, SC QR	Pre assembled	Individually boxed	5012158689681	01 / 06 / 72	NA



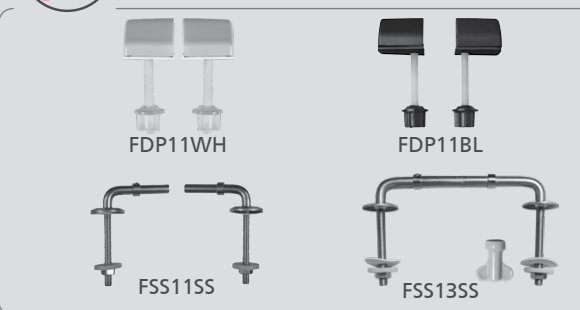
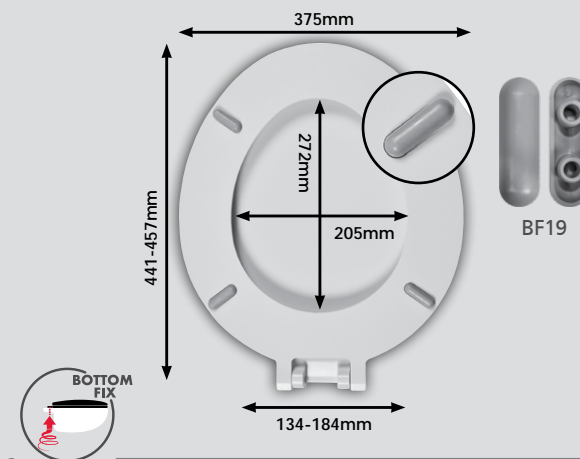
SAXON



- ▶ Material: Thermoset
- ▶ Resistant to scratches, UV and chemicals
- ▶ Resilient : extremely strong, durable and hard wearing
- ▶ Hygienic : made of naturally antibacterial material
- ▶ Ideal for contract purposes for medium to high traffic areas
- ▶ Made in the UK
- ▶ Plastic or 304 stainless steel hinges available



Description	Reference	Hinge features	Hinge	Packaging	EAN code	Multiple/boxed	COMPATIBLE LOCK+
White seat + cover 	SSA11WH	Bottom FIX	FDP11WH	Individually boxed	5012158653866	90 per pallet	 20120455
	SSA12WH	Bottom FIX	FSS11SS	Individually boxed	5012158669324	90 per pallet	 20120455
	SSA21WH	Bottom FIX	FDP11WH	Pack of 5	5012158030230	150 per pallet	 20120455
Black seat + cover 	SSA11BL	Bottom FIX	FDP11BL	Individually boxed	5012158655785	90 per pallet	 20120455
	SSA12BL	Bottom FIX	FSS11SS	Individually boxed	5012158669287	90 per pallet	 20120455
	SSA21BL	Bottom FIX	FDP11BL	Pack of 5	5012158030131	150 per pallet	 20120455
White seat only 	SSA51WH	Bottom FIX	FDP11WH	Individually boxed	5012158666422	90 per pallet	 20120455
	SSA53WH	Bottom FIX	FSS13SS	Individually boxed	5012158669331	90 per pallet	 20120455
Black seat only 	SSA51BL	Bottom FIX	FDP11WH	Individually boxed	5012158665968	90 per pallet	 20120455
	SSA53BL	Bottom FIX	FSS13SS	Individually boxed	5012158669294	90 per pallet	 20120455
	SSA61BL	Bottom FIX	FDP11BL	Pack of 5	5017134130393	150 per pallet	 20120455



MODUFIX
TOILET SEATS

UNIVERSAL SHAPE
TOILET SEATS

D SHAPE
TOILET SEATS

SPECIAL NEEDS
TOILET SEATS

MADRIDIO

2,0kg



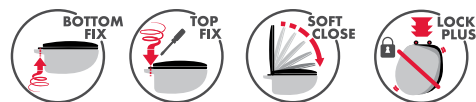
- ▶ Material: Thermoset
- ▶ Resilient : extremely strong, durable and hard wearing
- ▶ Resistant to scratches, UV and chemicals
- ▶ Hygienic : made of naturally antibacterial material
- ▶ Made in the UK
- ▶ Plastic or 304 stainless steel hinges available



Description	Reference	Hinge features	Hinge	Packaging	EAN code	Multiple/boxed	COMPATIBLE LOCK+
White seat + cover	SMB1TWH	Top FIX	217279	Individually boxed	5055294430229	90 per pallet	20120454
	20120262	Top FIX, Soft Close	FMD1SSS	Individually boxed	5017134132601	90 per pallet	20120454

VIP

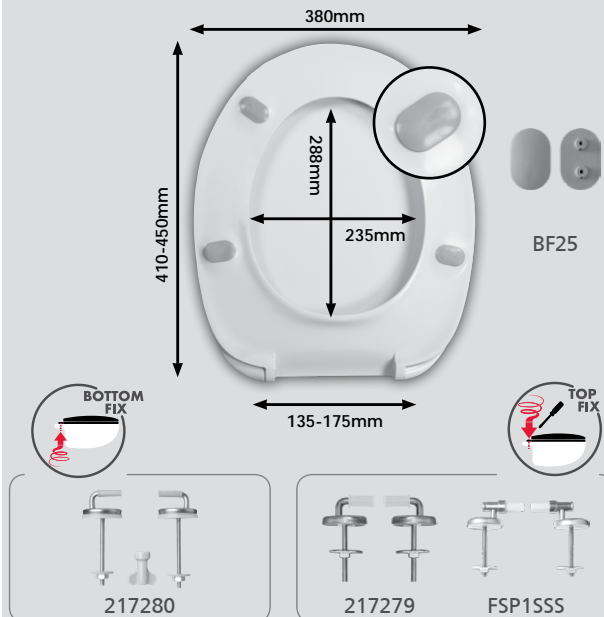
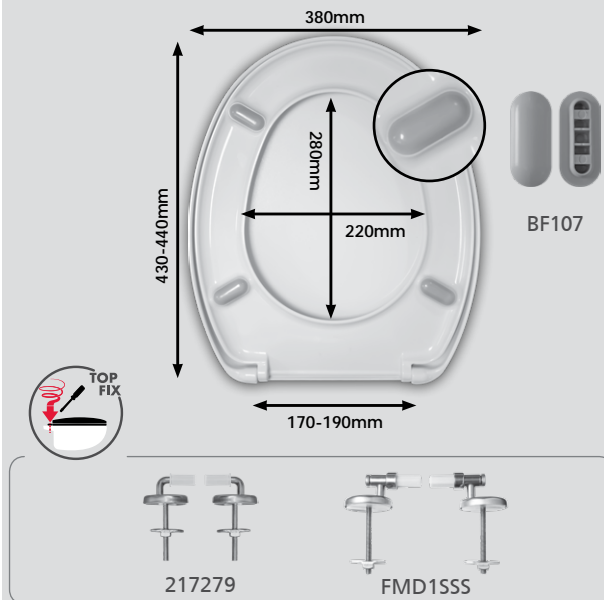
2,3kg



- ▶ Material: Thermoset
- ▶ Resistant to scratches, UV and chemicals
- ▶ Resilient : extremely strong, durable and hard wearing
- ▶ Hygienic : made of naturally antibacterial material
- ▶ Made in the UK
- ▶ Plastic or 304 stainless steel hinges available

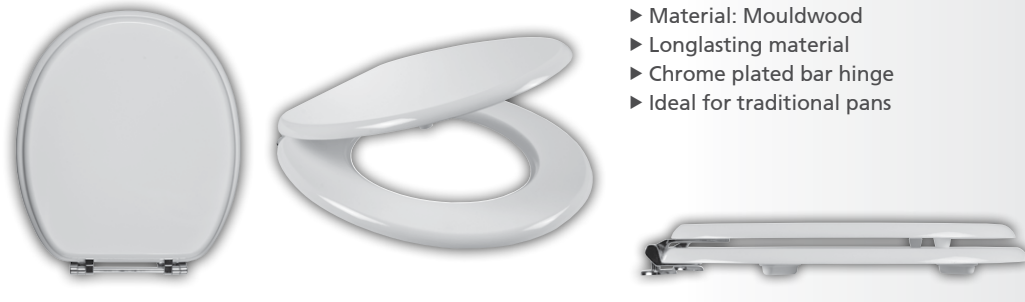


Description	Reference	Hinge features	Hinge	Packaging	EAN code	Multiple/boxed	COMPATIBLE LOCK+
White seat + cover	20120355	Bottom FIX	217280	Individually boxed	5017134133097	90 per pallet	Included
	20120356	Top FIX	217279	Individually boxed	5017134133103	90 per pallet	Included
	20120357	Top Fix, Soft Close	FSP1SSS	Individually boxed	5017134133110	90 per pallet	Included



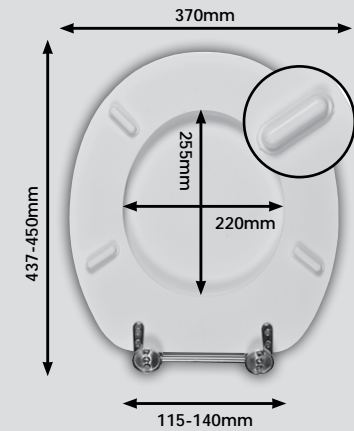
CAVALCADE

 **2,3kg**



- ▶ Material: Mouldwood
- ▶ Longlasting material
- ▶ Chrome plated bar hinge
- ▶ Ideal for traditional pans

Description	Reference	Hinge features	Hinge	Packaging	EAN code	Multiple/boxed	LOCK+
White seat + cover	SCL11WH	Bottom FIX	pre-assembled	Individually boxed	5024139031853	01 / 03 / 60	NA



MODUFIX
TOILET SEATS

UNIVERSAL SHAPE
TOILET SEATS

D SHAPE
TOILET SEATS

SPECIAL NEEDS
TOILET SEATS

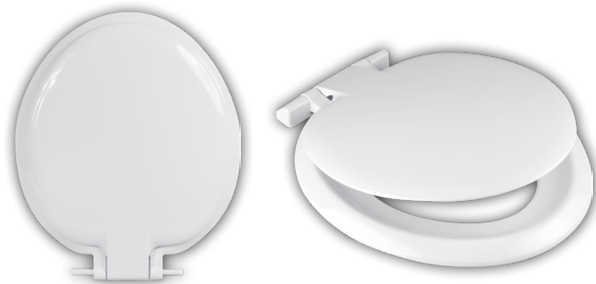
SONATA

2,7kg

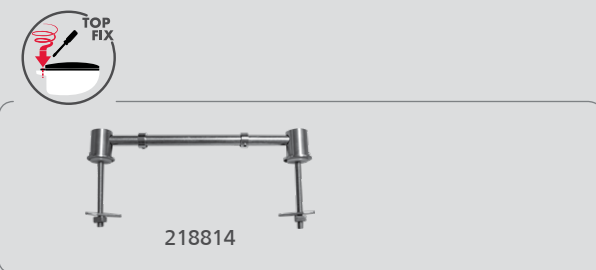
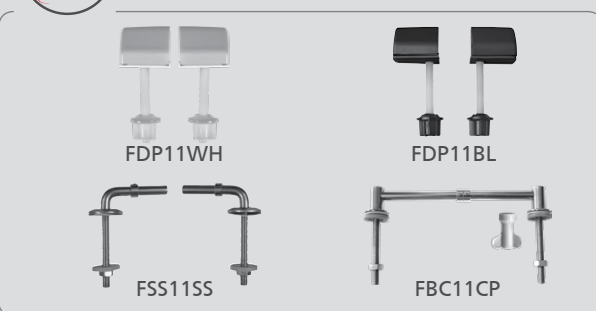
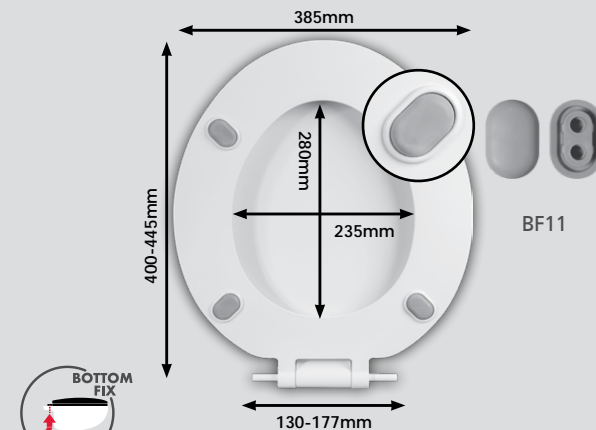


**SET
BRITISH
STANDARD
BS1254**

- ▶ Material: Thermoset
- ▶ Resilient : extremely strong, durable and hard wearing
- ▶ Resistant to scratches, UV and chemicals
- ▶ Hygienic : made of naturally antibacterial material
- ▶ Ideal for contract purposes for high traffic areas
- ▶ Made in the UK
- ▶ Plastic or 304 stainless steel hinges available



Description	Reference	Hinge features	Hinge	Packaging	EAN code	Multiple/boxed	COMPATIBLE LOCK+
White seat + cover	SSO11WH	Bottom FIX	FDP11WH	Individually boxed	5012158010232	90/Pallet	20120455
	SSO12WH	Bottom FIX	FSS11SS	Individually boxed	5012158669409	90/Pallet	20120455
	SSO15WH	Top FIX	218814	Individually boxed	5012158672119	90/Pallet	20120454
	SSO17WH	Bottom FIX	FBC11CP	Individually boxed	5012158689353	90/Pallet	20120454
	SSO21WH	Bottom FIX	FDP11WH	Pack of 5	5024139038968	120/Pallet	20120455
Black seat + cover	SSO11BL	Bottom FIX	FDP11BL	Individually boxed	5012158653484	90/Pallet	20120455
	SSO12BL	Bottom FIX	FSS11SS	Individually boxed	5012158669362	90/Pallet	20120455
	SSO15BL	Top FIX	218814	Individually boxed	5017134132212	90/Pallet	20120454
	SSO21BL	Bottom FIX	FDP11BL	Pack of 5	5012158010133	120/Pallet	20120455
White seat only	SSO51WH	Bottom FIX	FDP11WH	Individually boxed	5012158667122	90/Pallet	20120455
	SSO53WH	Bottom FIX	FSS11SS	Individually boxed	5012158669416	90/Pallet	20120455
	SSO55WH	Top FIX	218814	Individually boxed	5012158672102	90/Pallet	20120454
Black seat only	SSO51BL	Bottom FIX	FDP11BL	Individually boxed	5012158666828	90/Pallet	20120455
	SSO53BL	Bottom FIX	FSS11SS	Individually boxed	5012158669379	90/Pallet	20120455
	SSO55BL	Top FIX	218814	Individually boxed	5012158669379	90/Pallet	20120454



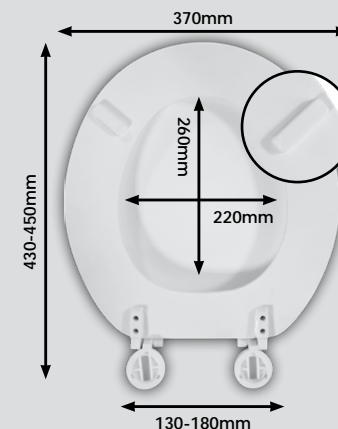
WOODY PARAMOUNT



- ▶ Material: Mouldwood
- ▶ Longlasting material
- ▶ Successfully tested to 20,000 opening/closing cycles
- ▶ Matching colour plastic hinges



Description	Reference	Hinge features	Hinge	Packaging	EAN code	Multiple/boxed	LOCK+
Seat and cover	21230001	Bottom FIX	pre-assembled	Individually boxed	3375539049736	01 / 04 / 64	NA



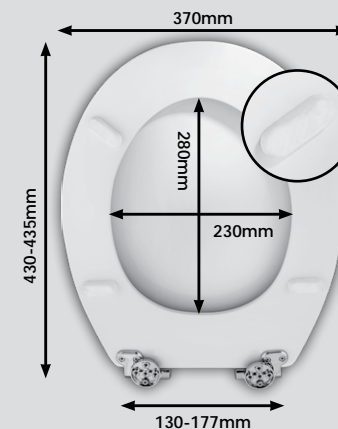
DIPLOMAT



- ▶ Material: Mouldwood
- ▶ High strength compressed wood with a white acrylic paint finish
- ▶ Successfully tested to 20,000 opening/closing cycles
- ▶ Chrome plated soft close hinges



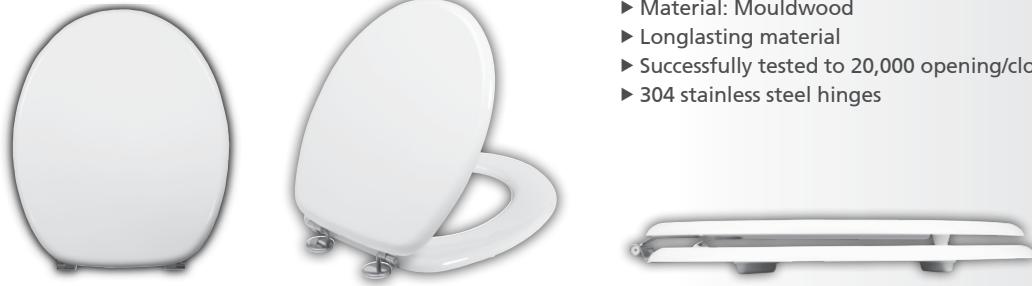
Description	Reference	Hinge features	Hinge	Packaging	EAN code	Multiple/boxed	LOCK+
Seat and cover	20719794	Bottom FIX, Soft Close	pre-assembled	Individually boxed	3375537197217	01 / 04 / 64	NA



MODUFIX
TOILET SEATSUNIVERSAL SHAPE
TOILET SEATSD SHAPE
TOILET SEATSSPECIAL NEEDS
TOILET SEATS

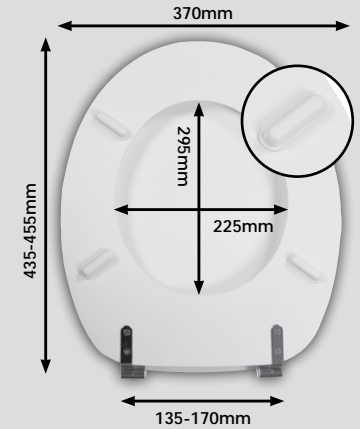
WOODY



3,5kg


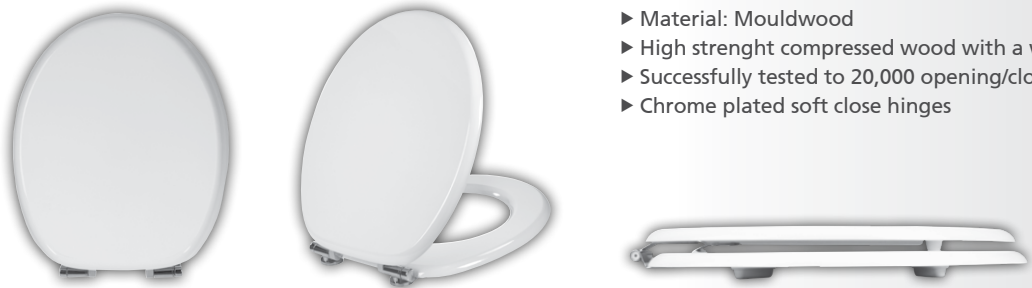
- ▶ Material: Mouldwood
- ▶ Longlasting material
- ▶ Successfully tested to 20,000 opening/closing cycles
- ▶ 304 stainless steel hinges

Description	Reference	Hinge features	Hinge	Packaging	EAN code	Multiple/boxed	LOCK+
Seat and cover	21230004	Bottom FIX	pre-assembled	Individually boxed	3375537127320	01 / 03 / 60	NA



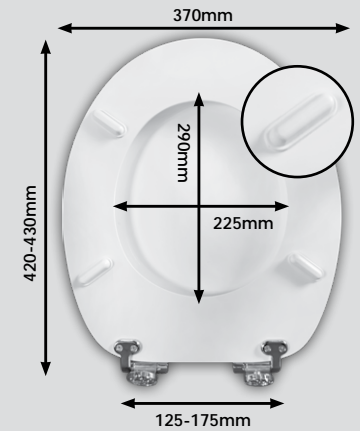
WOODY LUX



3,5kg


- ▶ Material: Mouldwood
- ▶ High strenght compressed wood with a white glossy paint finish
- ▶ Successfully tested to 20,000 opening/closing cycles
- ▶ Chrome plated soft close hinges

Description	Reference	Hinge features	Hinge	Packaging	EAN code	Multiple/boxed	LOCK+
Seat and cover	20719569	Bottom FIX, Soft Close	pre-assembled	Individually boxed	3375537194971	01 / 03 / 60	NA



D SHAPE

► To match the increasing number of frames and wall hung pans in modern bathrooms

Description	Weight	Page number
DISCO	2,1	28
SVELT	2,1	28
MAESTRO	2,3	29

DISCO

Modern D-shape



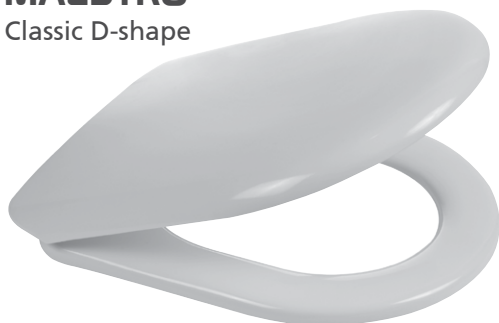
SVELT

Simple & stylish



MAESTRO

Classic D-shape



MODUFIX
TOILET SEATS

UNIVERSAL SHAPE
TOILET SEATS

D SHAPE
TOILET SEATS

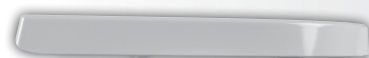
SPECIAL NEEDS
TOILET SEATS

DISCO

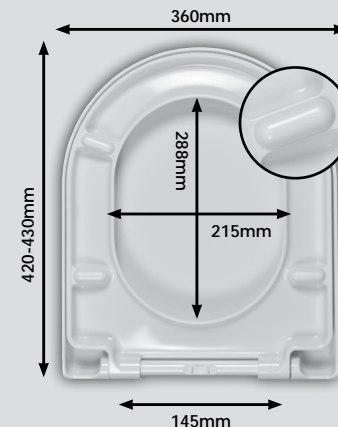
 **2,1kg**



- ▶ Material: Thermoset
- ▶ Resilient : extremely strong, durable and hard wearing
- ▶ Fully wrap over with square edges D-Shape
- ▶ Resistant to scratches, UV and chemicals
- ▶ Hygienic : made of naturally antibacterial material
- ▶ Ideal for blind hole pans



Description	Reference	Hinge features	Hinge	Packaging	EAN code	Multiple/boxed	LOCK+
Seat and cover	20721512	Top FIX, Soft Close, Quick Release	pre-assembled	Individually boxed	3375537659340	01 / 04 / 96	NA



SVELT

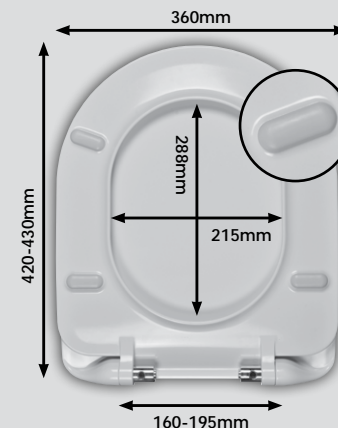
 **2,1kg**



- ▶ Material: Thermoset
- ▶ Slim contemporary Design Resilient : extremely strong, durable and hard wearing
- ▶ Resistant to scratches, UV and chemicals
- ▶ Hygienic : made of naturally antibacterial material
- ▶ Ideal for blind hole pans

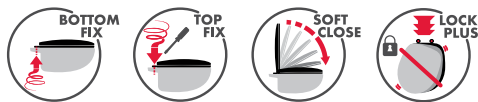


Description	Reference	Hinge features	Hinge	Packaging	EAN code	Multiple/boxed	LOCK+
Seat and cover	20721439	Top FIX, Soft Close, Quick Release	pre-assembled	Individually boxed	5017134132434	01 / 04 / 96	NA

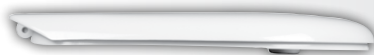


MAESTRO

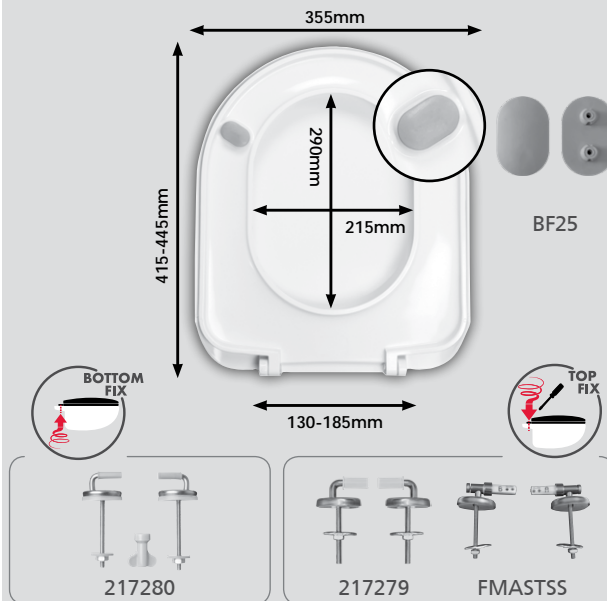
2,3kg



- ▶ Material: Thermoset
- ▶ Resilient : extremely strong, durable and hard wearing
- ▶ Semi Wrap over design
- ▶ Resistant to scratches, UV and chemicals
- ▶ Hygienic : made of naturally antibacterial material
- ▶ Ideal for blind hole pans with the top fix option
- ▶ Made in the UK



Description	Reference	Hinge features	Hinge	Packaging	EAN code	Multiple/boxed	COMPATIBLE LOCK+
Seat and cover	20120358	Bottom FIX	217280	Individually boxed	5017134133127	90 per pallet	Included
	20120359	Top FIX	217279	Individually boxed	5017134133134	90 per pallet	Included
	20120360	Top FIX, Soft Close, Quick Release	FMASTSS	Individually boxed	5017134133141	90 per pallet	Included



SPECIAL NEEDS

▶ Aesthetically pleasing seats with your needs in mind

Description	Weight	Page number
CELESTE PRO	2,3	31
CELESTE PLUS	2,3	32
EVERMOOR	2,7	33
FAMILY	1,5	34
CRESCENT ADULT	2,7	34
CRESCENT JUNIOR	1,0	35
P72	1,5	35

Did you know?

Red and **Blue** toilet seats help to remind people with cognitive loss what the purpose of the toilet / bathroom is and also where it is located. This can help to reduce confusion and distress when visiting the toilet.



CELESTE PRO


2,3kg



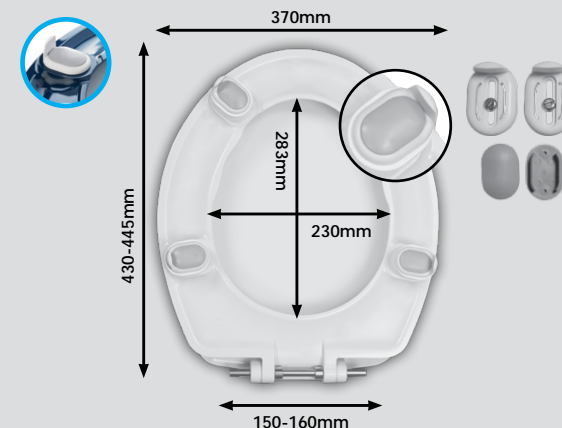
**AVAILABLE
IN BLUE/RED**



- ▶ Material: Thermoset
- ▶ Hygienic : made of naturally antibacterial material
- ▶ Resistant to scratches, UV and chemicals
- ▶ Ergonomical seat for maximum comfort when sitting for a long time
- ▶ Adjustable locating buffers ideal for hospitals and care homes
- ▶ Made in the UK



Description	Reference	Colour	Hinge features	Hinge	Packaging	EAN code	Multiple/boxed	LOCK+
Seat and cover with c/p top fix hinge and raised locating buffers	SCI11WY	White	Top FIX	FCI11CP	Individually boxed	5024139038753	90 per pallet	NA
Seat and cover with c/p top fix hinge and raised locating buffers	SCI11IB	Blue 5011	Top FIX	FCI11CP	Individually boxed	5024139038746	90 per pallet	NA
Seat and cover with c/p top fix hinge and raised locating buffers	SCI11RE	Red	Top FIX	FCI11CP	Individually boxed	5024139039293	90 per pallet	NA
SEAT ONLY with c/p top fix hinge and raised locating buffers	SCI51WY	White	Top FIX	FCI11CP	Individually boxed	5024139038777	90 per pallet	NA
SEAT ONLY with c/p top fix hinge and raised locating buffers	SCI51IB	Blue 5011	Top FIX	FCI11CP	Individually boxed	5024139038760	90 per pallet	NA
SEAT ONLY with c/p top fix hinge and raised locating buffers	SCI51RE	Red	Top FIX	FCI11CP	Individually boxed	5024139039330	90 per pallet	NA



- 4 buffers on the seat including 2 locating buffers for more stability
- 2 buffers on the cover
- Increased height (15mm)



FCI11CP

- Solid brass adjustable hinge
- Stainless steel fittings
- Includes buffer pack

MODUFIX
TOILET SEATS

UNIVERSAL SHAPE
TOILET SEATS

D SHAPE
TOILET SEATS

SPECIAL NEEDS
TOILET SEATS

CELESTE PLUS

 **2,3kg**



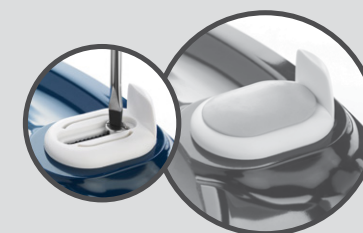
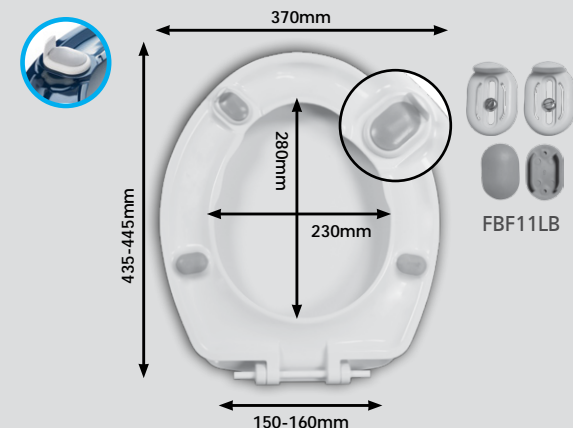
**AVAILABLE
IN BLUE/RED**



- ▶ Material: Thermoset
- ▶ Hygienic : made of naturally antibacterial material
- ▶ Resistant to scratches, UV and chemicals
- ▶ Ergonomical seat for maximum comfort when sitting for a long time
- ▶ Adjustable locating buffers ideal for hospitals and care homes
- ▶ Made in the UK



Description	Reference	Colour	Hinge features	Hinge	Packaging	EAN code	Multiple/boxed	LOCK+
Seat and cover with c/p bottom fix hinge and locating buffers	SCK11WY	White	Bottom FIX	SF298	Individually boxed	5024139036834	90 per pallet	NA
Seat and cover with c/p bottom fix hinge and locating buffers	SCK11IB	Blue 5011	Bottom FIX	SF298	Individually boxed	5024139037152	90 per pallet	NA
Seat and cover with c/p bottom fix hinge and locating buffers	SCK11RE	Red	Bottom FIX	SF298	Individually boxed	5024139037152	90 per pallet	NA
SEAT ONLY with c/p bottom fix hinge and locating buffers	SCK51WY	White	Bottom FIX	SF298	Individually boxed	5024139037398	90 per pallet	NA
SEAT ONLY with c/p bottom fix hinge and locating buffers	SCK51IB	Blue 5011	Bottom FIX	SF298	Individually boxed	5024139039309	90 per pallet	NA
SEAT ONLY with c/p bottom fix hinge and locating buffers	SCK51RE	Red	Bottom FIX	SF298	Individually boxed	5024139039316	90 per pallet	NA



- 4 buffers on the seat including 2 locating buffers for more stability
- 2 buffers on the cover



EVERMOOR


2,7kg



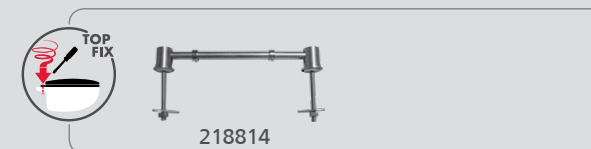
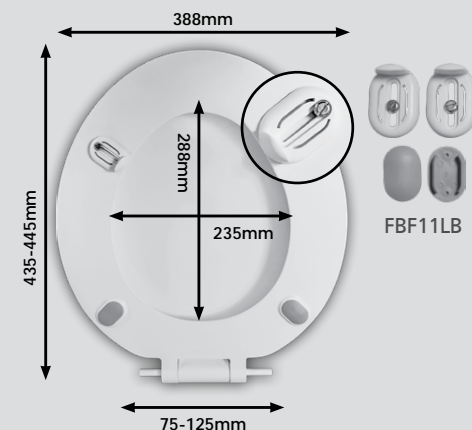
**AVAILABLE
IN BLUE/RED**



- ▶ Material: Thermoset
- ▶ Hygienic : made of naturally antibacterial material
- ▶ Resistant to scratches, UV and chemicals
- ▶ Adjustable locating buffers ideal for hospitals and care homes
- ▶ Made in the UK



Description	Reference	Colour	Hinge features	Hinge	Packaging	EAN code	Multiple /boxed	COMPATIBLE LOCK+
Seat and cover with SS Top fix hinge, Lock+ and locating buffers	20120380	White	Top FIX	218814	Individually boxed	5017134134049	90 per pallet	Included
Seat and cover with SS Top fix hinge, Lock+ and locating buffers	20120381	Blue 5011	Top FIX	218814	Individually boxed	5017134134056	90 per pallet	Included
Seat and cover with SS Top fix hinge, Lock+ and locating buffers	20120382	Red	Top FIX	218814	Individually boxed	5017134134087	90 per pallet	Included
SEAT ONLY with SS Top fix hinge, Lock+ and locating buffers	20120383	White	Top FIX	218814	Individually boxed	5017134134063	90 per pallet	Included
SEAT ONLY with SS Top fix hinge, Lock+ and locating buffers	20120384	Blue 5011	Top FIX	218814	Individually boxed	5017134134070	90 per pallet	Included
SEAT ONLY with SS Top fix hinge, Lock+ and locating buffers	20120385	Red	Top FIX	218814	Individually boxed	5017134134094	90 per pallet	Included



MODUFIX
TOILET SEATS

UNIVERSAL SHAPE
TOILET SEATS

D SHAPE
TOILET SEATS

SPECIAL NEEDS
TOILET SEATS

FAMILY

1,5kg



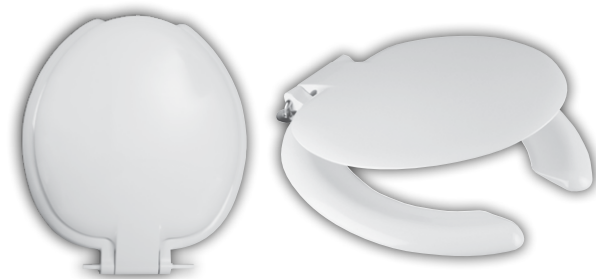
- ▶ Material: Thermoplastic
- ▶ Shatterproof material
- ▶ Integrated child seat with magnetic closure
- ▶ Successfully tested to 20,000 opening/closing cycles



Description	Reference	Colour	Hinge features	Hinge	Packaging	EAN code	Multiple/boxed	LOCK+
Seat and cover	20719572	white	Bottom FIX, Soft Close	pre-assembled	Individually boxed	3375537195008	90 per pallet	NA

CRESCENT ADULT

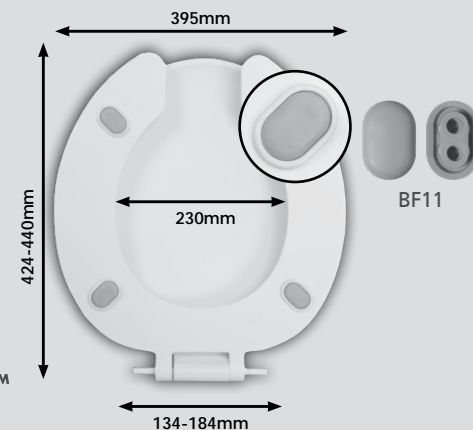
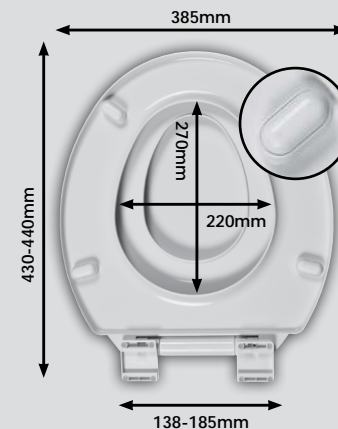
2,7kg



- ▶ Material: Thermoset
- ▶ Hygienic : made of naturally antibacterial material
- ▶ Resistant to scratches, UV and chemicals
- ▶ Gap front seat to reduce contact with bacteria Ideal for hospitals and care homes
- ▶ Made in the UK



Description	Reference	Colour	Hinge features	Hinge	Packaging	EAN code	Multiple/boxed	COMPATIBLE LOCK+
Seat and cover	SCR12WH	white	Bottom FIX	FSS11SS	Individually boxed	5012158669034	90 per pallet	20120455
Seat and cover	SCR12BL	black	Bottom FIX	FSS11SS	Individually boxed	5012158668990	90 per pallet	20120455
Seat ONLY	SCR51WH	white	Bottom FIX	FDP11WH	Individually boxed	5012158650988	90 per pallet	20120455
Seat ONLY	SCR51BL	black	Bottom FIX	FDP11BL	Individually boxed	5012158655846	90 per pallet	20120455
Seat ONLY	SCR53WH	white	Bottom FIX	FSS13SS	Individually boxed	5012158669041	90 per pallet	20120454
Seat ONLY	SCR53BL	black	Bottom FIX	FSS13SS	Individually boxed	5012158669003	90 per pallet	20120454



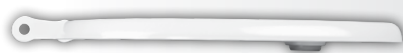
CRESCENT JUNIOR

1,0kg



- ▶ Material: Thermoset
- ▶ Hygienic : made of naturally antibacterial material
- ▶ Designed to fit 12" school pans
- ▶ Resistant to scratches, UV and chemicals
- ▶ Gap front seat to reduce contact with bacteria Ideal for schools
- ▶ Made in the UK

SCHOOL



Description	Reference	Colour	Hinge features	Hinge	Packaging	EAN code	Multiple/boxed	LOCK+
SEAT ONLY	SCJ51WH	white	Bottom FIX	FDP11WH	Individually boxed	5012158691820	90 per pallet	NA
SEAT ONLY	SCJ51BL	black	Bottom FIX	FDP11BL	Individually boxed	5012158661922	90 per pallet	NA
SEAT ONLY	SCJ53WH	white	Bottom FIX	FSS13SS	Individually boxed	5012158669102	90 per pallet	NA
SEAT ONLY	SCJ53BL	black	Bottom FIX	FSS13SS	Individually boxed	5012158669089	90 per pallet	NA

P72 MINI

1,5kg

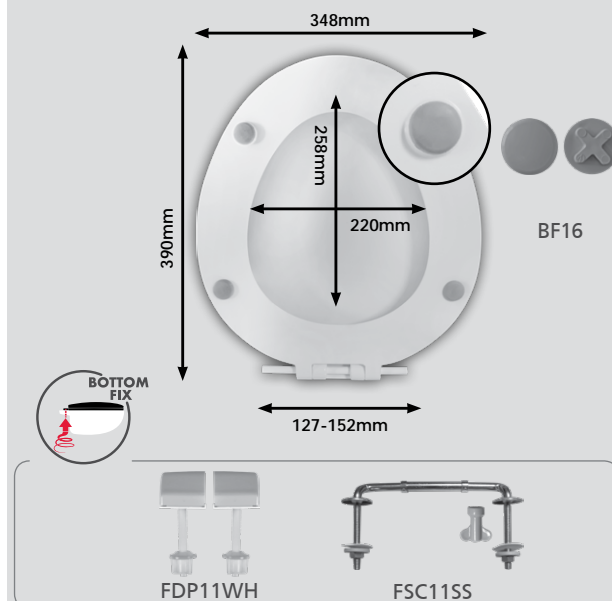
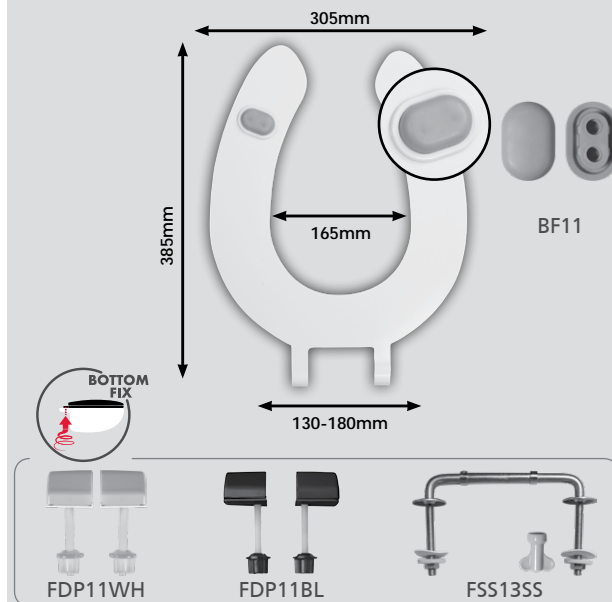


- ▶ Material: Thermoset
- ▶ Hygienic : made of naturally antibacterial material
- ▶ Designed to fit 12" school pans
- ▶ Resistant to scratches, UV and chemicals
- ▶ Ideal for schools
- ▶ Made in the UK

SCHOOL



Description	Reference	Colour	Hinge features	Hinge	Packaging	EAN code	Multiple/boxed	LOCK+
Seat and cover	SMP11WH	white	Bottom FIX	FDP11WH	Individually boxed	5012158663773	90 per pallet	NA
Seat and cover	SMP14WH	white	Bottom FIX	FSC11SS	Individually boxed	5012158671310	90 per pallet	NA



www.wirquin.co.uk

