

.....

# SPECIFICATION SHEET

COLLECTION: AVA  
PRODUCT CODE: AX-AVA-137-CP



## DESCRIPTION:

2 hole bath filler  
deck mounted  
with Neoperl water flow straightener  
cold ceramic cartridge ION-  
VALVE/CD/CL-3/4  
hot ceramic cartridge ION-  
VALVE/CD/HT-3/4  
2 x 3/4" male threaded connections  
deck mount drill hole diameter  
28-30mm  
minimum operating pressure 0.2 bar  
LP

## FINISH:

Chrome

## MINIMUM OPERATING PRESSURE:

0.2 bar LP

## FLOW RATE AT 3.0 BAR FLOW PRESSURE:

79.46 l/min



## CONTACT

SALES: 01934 744466

AFTERSALES: 01934 745163

EMAIL: SALES@VADO.COM

WWW.VADO.COM/AXCES

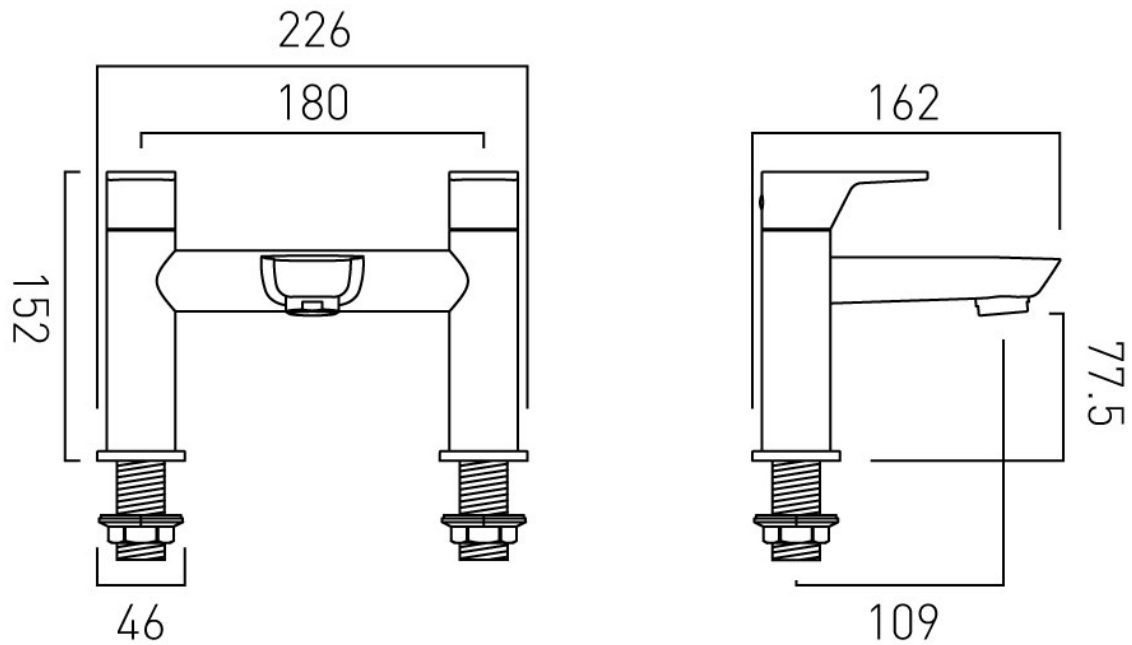
AXCES  
by VADO

.....

# TECHNICAL DRAWING

COLLECTION: AVA

PRODUCT CODE: AX-AVA-137-CP



## CONTACT

SALES: 01934 744466

AFTERSALES: 01934 745163

EMAIL: SALES@VADO.COM

WWW.VADO.COM/AXCES

AXCES  
by VADO