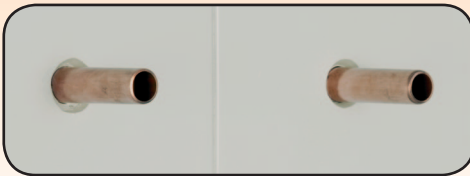


express

William Wilson
PLUMBING • HEATING • BATHROOM • SUPPLIES

FAST FIXING KIT

A 'second fix' connection for professional bar shower installation



✓ **Strong & Secure Fixing** ✓ **Perfect for Replacement Showers**

FAST FIXING KIT

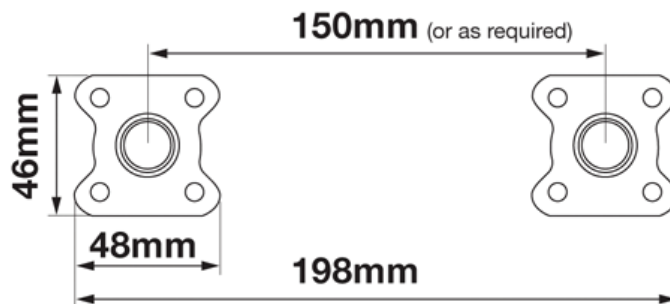
A 'second fix' connection for professional bar shower installation

Supplied complete with chrome plated brass fittings and covers to connect 15mm copper pipes to the majority of bar showers.

Installation Sequence

1. Ensure existing 15mm copper supply pipes are at suitable centres for the shower mixer (usually 150mm) and protrude from the tiling surface by 30mm
2. Offer up the brackets, ensure they are square and level, mark and then drill holes in the tiles or wall surface with a suitable drill. Insert wall plugs to suit the screws you have chosen (not supplied).
3. Fix the brackets in place with at least two screws in each and preferably four in each
4. Slide the compression olive over the pipe and fit the hexagonal collar by tightening with a spanner. It is important that the brass bracket is supported by another spanner while tightening takes place.
5. Spin the chrome plated covers on to the hexagonal collars and the connections are ready for the installation of the bar shower mixer.
6. We recommend that the pipe work is well flushed through before installing the bar shower mixer to prevent debris damaging the mixer

Dimensions



Professional shower installation kits from William Wilson

First fix or second fix?

The installation of a bar type shower mixer which depends on its copper supply pipes for fixing in place has always been problematic. William Wilson offer two professional solutions:

FAST FIXING PLATE

This is the perfect shower fixing on a plate enabling a quick first fix install.

- Accurate pipe work
- Firmly fixed shower
- Easy to level

The FAST FIXING PLATE firmly clamps 15mm copper pipes accurately in place at 150mm centres ready for the trades of plastering and tiling to follow. Supplied with brass fittings to connect to the majority of bar shower mixers. UK Patent No. 236 8888

FAST FIXING KIT

A "second fix" connection kit for installing bar shower mixers to existing 15mm copper pipe work with facilities to screw into the wall structure.

- Strong and secure fixing
- Perfect for replacement showers

Supplied complete with chrome plated brass fittings and covers to connect 15mm copper pipes to the majority of bar showers.

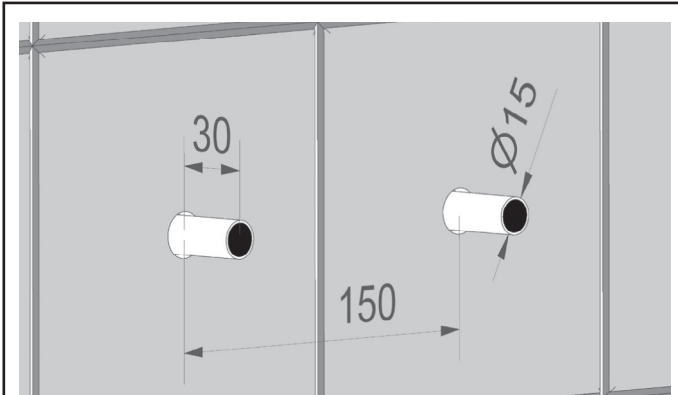
FAST FIXING KIT

A 'second fix' connection for professional bar shower installation

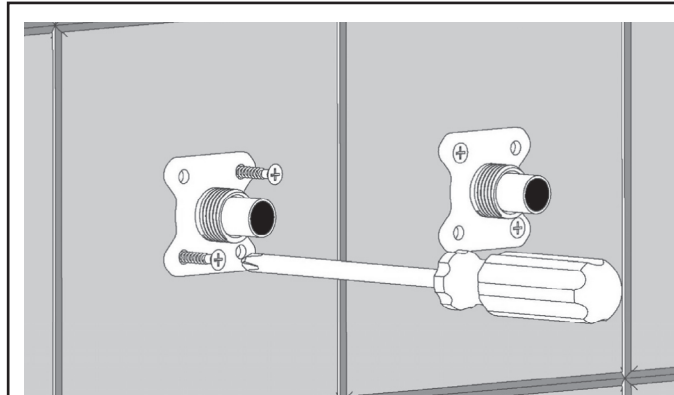
express

William Wilson
PLUMBING • HEATING • BATHROOM • SUPPLIES

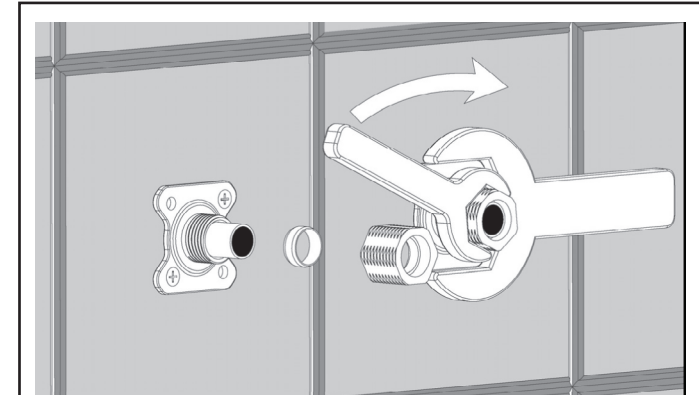
FITTING INSTRUCTIONS



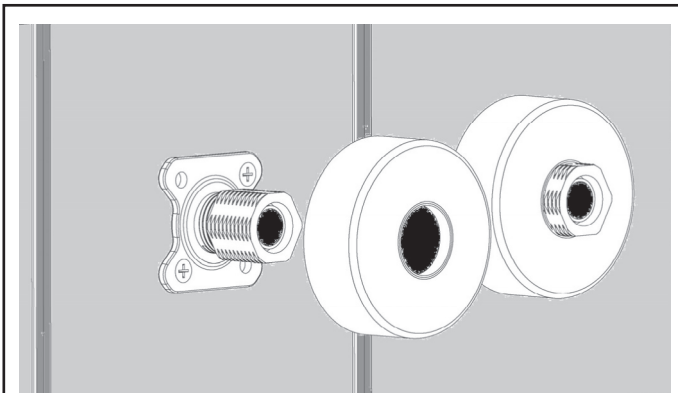
Ensure existing 15mm copper supply pipes are at 150mm centres and protrude from the tiling surface by 30mm.



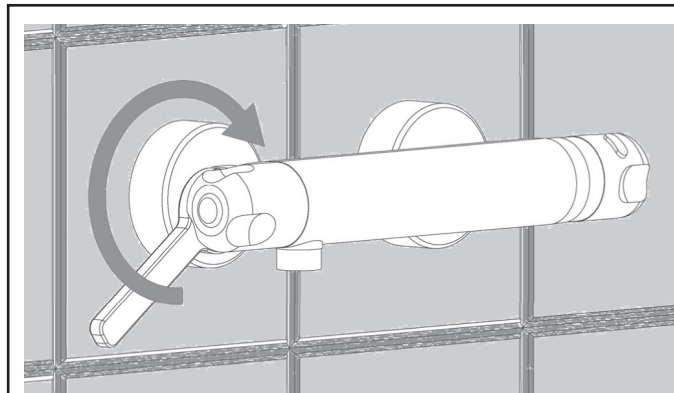
Offer up the brass brackets, ensure they are square and level, mark and then drill holes in the tiles or wall surface with a suitable drill. Insert wall plugs to suit the screws you have chosen (not supplied). Fix the brackets in place with at least two screws in each (preferably four in each).



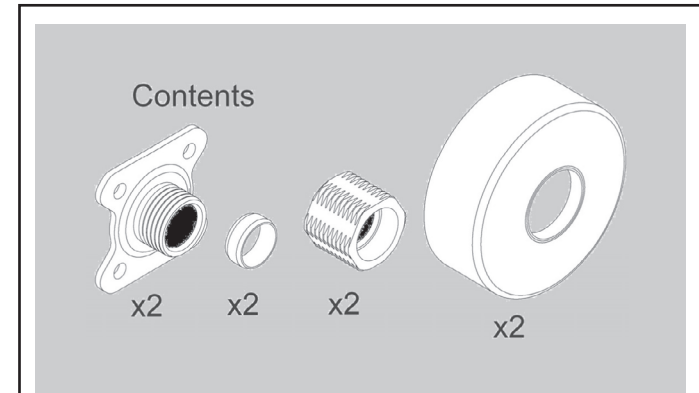
Slide the compression olive over the pipe and fit the hexagonal collar by tightening with a spanner. It is important that the brass bracket is supported by another spanner while tightening takes place.



Spin the chrome plated covers on to the hexagonal collar and the connections are ready for the installation of the bar shower mixer.



We recommend that the pipe work is well flushed through before installing the bar shower mixer to prevent debris damaging the mixer.



Contents
2 x Brass brackets
2 x Compression olives
2x Hexagonal collars
2 x Chrome plated covers