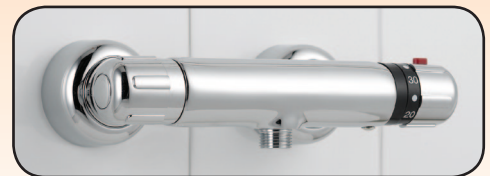
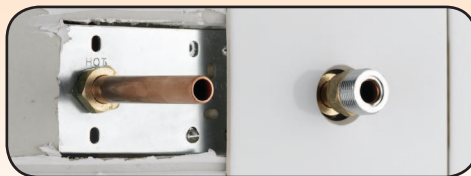
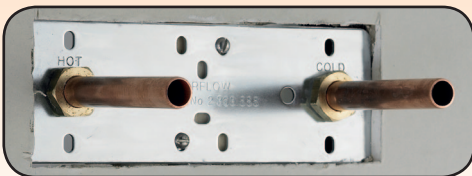


express

William Wilson
PLUMBING • HEATING • BATHROOM • SUPPLIES

FAST FIXING PLATE

The perfect shower fixing on a PLATE



Quickly install accurate pipe work for a firmly fixed shower

FAST FIXING PLATE

The perfect shower fixing on a PLATE

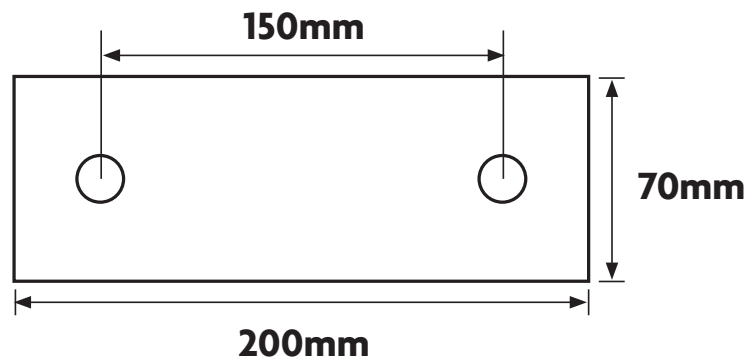
Quickly install accurate pipe work for a firmly fixed shower

Firmly clamps 15mm copper pipes accurately in place at 150mm centres.
 Supplied complete with brass fittings to connect to the majority of bar shower mixers.
 UK Patent No. 236 8888

Installation Sequence

1. Fix the Fast Fixing Plate on a noggin or brick/block wall
2. Install 15mm copper hot and cold feed pipes ensuring they will protrude approximately 60mm from the finished wall surface
3. Tighten up the clamping nuts
4. Finish the wall with plaster and/or tiles
5. Using a pipe slice cut the copper pipes to ensure the shower mixer cover plates meet the finished wall
6. Flush the pipe work
7. Use the fittings supplied to install the shower mixer

Dimensions



Professional shower installation kits from William Wilson

First fix or second fix?

The installation of a bar type shower mixer which depends on its copper supply pipes for fixing in place has always been problematic. William Wilson offer two professional solutions:

FAST FIXING PLATE

This is the perfect shower fixing on a plate enabling a quick first fix install.

- Accurate pipe work
- Firmly fixed shower
- Easy to level

The FAST FIXING PLATE firmly clamps 15mm copper pipes accurately in place at 150mm centres ready for the trades of plastering and tiling to follow. Supplied with brass fittings to connect to the majority of bar shower mixers. UK Patent No. 236 8888

FAST FIXING KIT

A "second fix" connection kit for installing bar shower mixers to existing 15mm copper pipe work with facilities to screw into the wall structure.

- Strong and secure fixing
- Perfect for replacement showers

Supplied complete with chrome plated brass fittings and covers to connect 15mm copper pipes to the majority of bar showers.

FAST FIXING PLATE

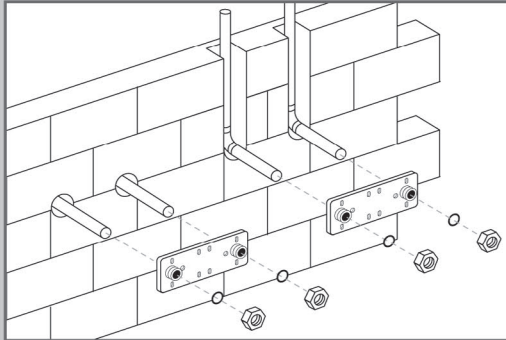
The perfect shower fixing on a PLATE

express

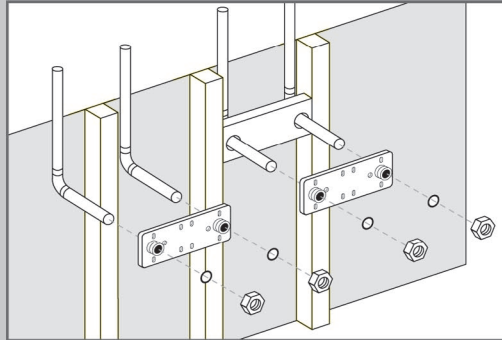
William Wilson
PLUMBING • HEATING • BATHROOM • SUPPLIES

FITTING INSTRUCTIONS

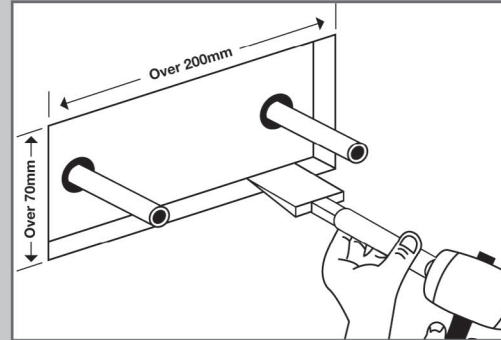
First Fix for Supply Pipes at 150mm Centres



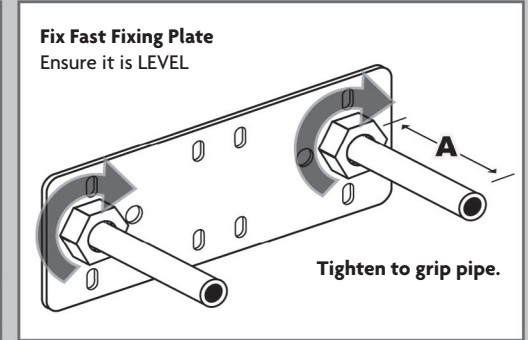
Block or brick wall -
Chase or drill through



Stud wall -
Fix to noggin or stud



Rendered wall -
Chase out recess at least 200 x 70 x 15mm deep

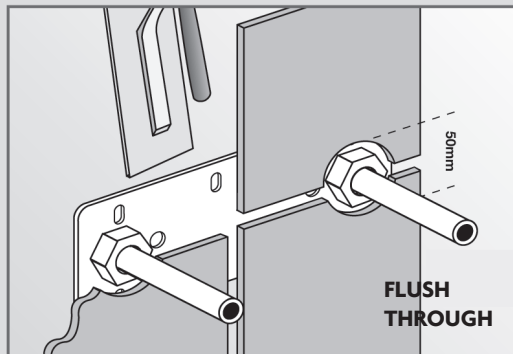


Fix Fast Fixing Plate
Ensure it is LEVEL

Tighten to grip pipe.

Use correct fixing screws (and wall plugs) for the wall structure (not supplied). **A** must be finished wall thickness + **60mm** minimum

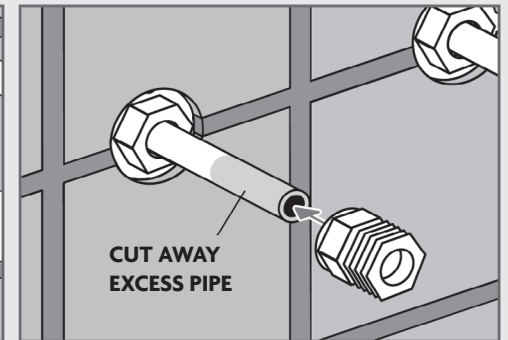
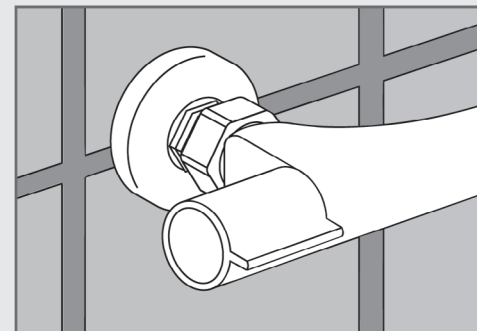
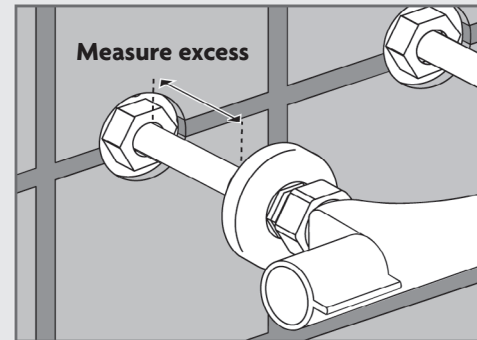
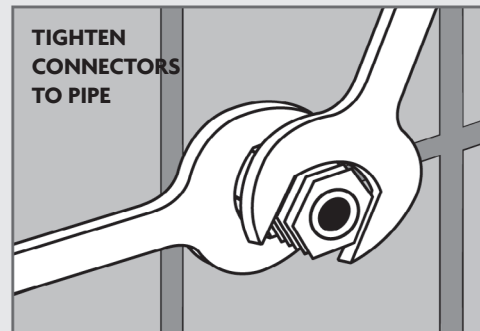
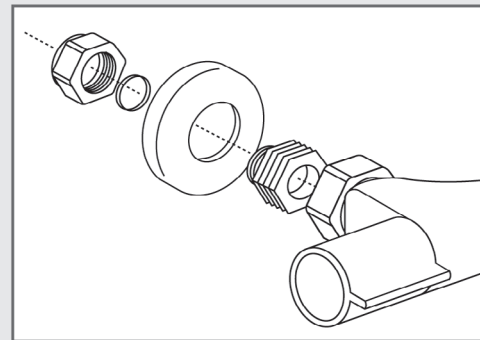
Decorate



Apply plaster and/or decorative finishes such as ceramic tiles.

Before fitting the shower mixer valve ensure pipe work is **flushed through** thoroughly.

Fit the Shower Mixer



Offer up the shower mixer and determine the finished pipe length to ensure the cover flanges will meet the wall.

Using a pipe slice cut away excess pipe and fit the shower mixer with the fittings supplied.

Always use 2 spanners to tighten the compression fittings on to the pipe.