

# LEFT OR RIGHT HANDED 46CM BASIN, DOC M PACK (WHITE RAILS)



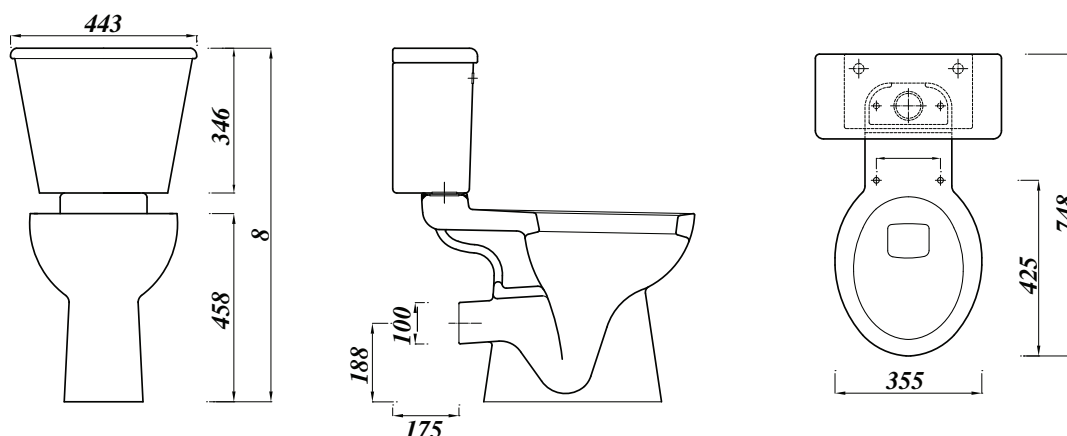
<b>Product Code</b>	<b>EDOCM</b>
<b>Weight (Kg)</b>	53.5
<b>Material</b>	Vitreous China, Mixed Plastics and Metals
<b>Tap holes</b>	Two tap hole basin supplied with a tap hole stopper
<b>Grab Rails</b>	Exposed White Rails
<b>Tap</b>	Sequential Lever Tap (not TMV3)
<b>Inlet</b>	Bottom Inlet - LH or RH
<b>Flushing Volume (L)</b>	6ltr Single Flush
<b>RAL Colour</b>	White - 9016
<b>LRV</b>	87.67

**Included in Pack:**

- 46 cm LH or RH Basin (No Overflow) inc grated waste with brackets
- Sequential lever tap
- 5 60cm Grab rails & 1 Hinged grab rail
- Raised Height Pan and a ringed seat
- Cistern & Fittings Inc Spatula Lever

**Description:**

Document M of the Building Regulations (2004) and BS 8300-2009 provide government guidance on the layouts of an accessible wash-room in non-domestic settings. It ensures consistent levels of installation and function designed for all users. CE Compliant, LANTAC & WRAS Approved.



All dimensions are approximate and subject to normal ceramic variation. Although every effort is made not to change the above product specification, Lecico reserve the right to do so without prior notification if necessary. Lifetime ceramic guarantee against manufacturers defects. Full information on guarantees available upon request.

\*Toilet roll holder not included with these models