

# AMETHYST IGNEOUS GRANITE INSET SINK

AME1051AS/

**RANGEmaster**  
sinks & taps



Size: 1000 x 500 mm

Featuring large bowls with a soft edged profile and modern classic lines, the Amethyst kitchen sink collection looks equally at home in a contemporary or traditional styled kitchen.

- Igneous granite
- Reversible drainer
- Waste kit included
- 25 year warranty

Material	Igneous Granite
Material Gauge	-
Material Finish Bowl	-
Material Finish Drainer	-
Drainer Position	Reversible
Overall Length (mm)	1000
Overall Width (mm)	500
Main Bowl Length (mm)	482
Main Bowl Width (mm)	422
Main Bowl Depth (mm)	220
Second Bowl Length (mm)	-
Second Bowl Width (mm)	-
Second Bowl Depth (mm)	-
Tap hole Size (mm)	-
Waste Size (mm)	1 x 90
Waste Kit:	Included with sink (1 x 90mm BSW & overflow kit)
Min. Base Unit (mm)	600
Cutout Size Length (mm)	980
Cutout Size Width (mm)	480
Warranty (years)	20
Product Code	AME1051AS/
Barcode	5015834049229

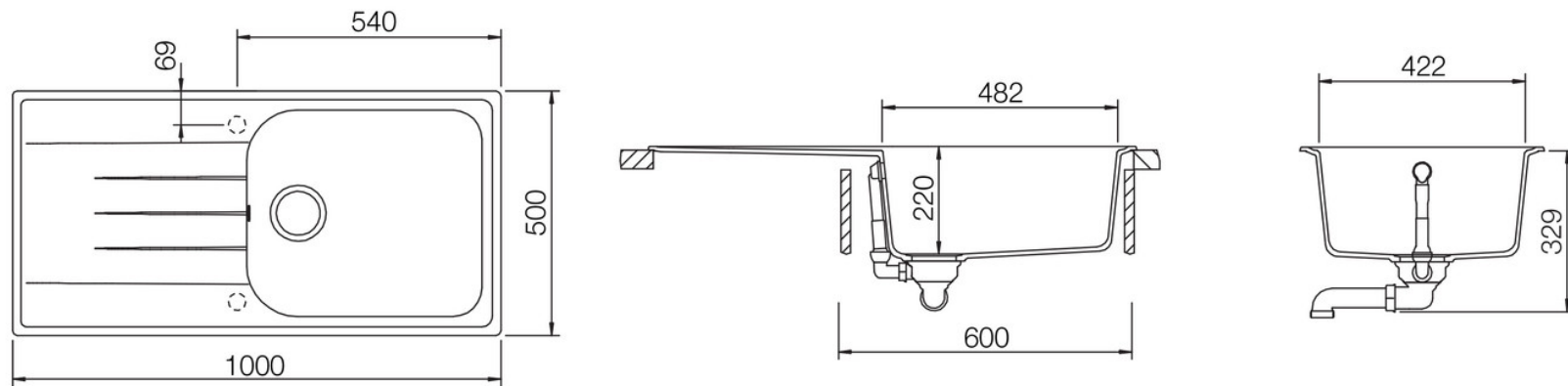
Date of download: April 14, 2020

AGA Rangemaster continuously seeks improvements in specification, design and production of products and thus, alterations take place periodically. Whilst every effort is made to produce up to date resources, the information included here is intended as a guide. Always refer to the installation instructions when fitting, installation work should be completed by a professional tradesman.

# AMETHYST IGNEOUS GRANITE INSET SINK

AME1051AS/

Technical Drawing



Date of download: April 14, 2020

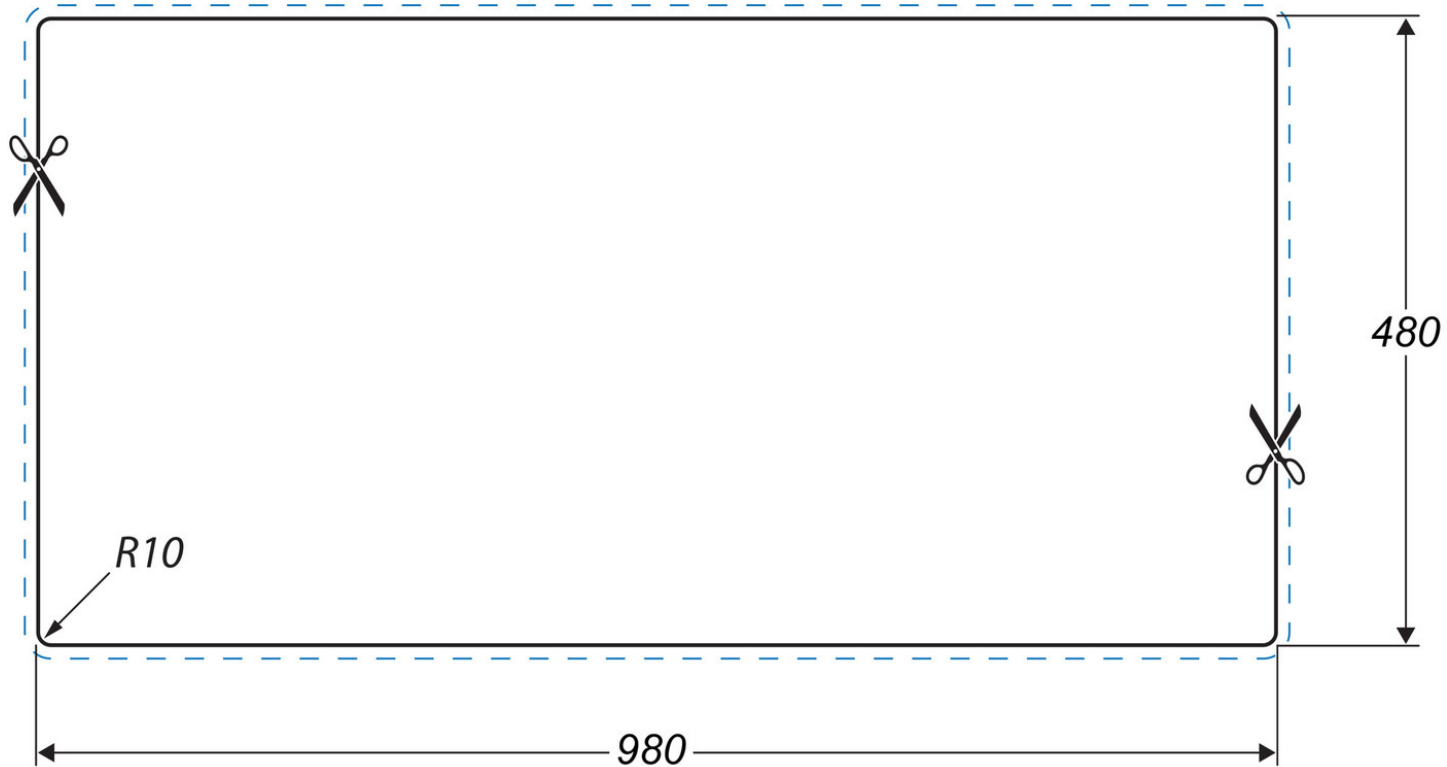
AGA Rangemaster continuously seeks improvements in specification, design and production of products and thus, alterations take place periodically. Whilst every effort is made to produce up to date resources, the information included here is intended as a guide. Always refer to the installation instructions when fitting, installation work should be completed by a professional tradesman.

# AMETHYST IGNEOUS GRANITE INSET SINK

AME1051AS/

Cut Out Template

Dimensions in mm. Not to scale.



Date of download: April 14, 2020

AGA Rangemaster continuously seeks improvements in specification, design and production of products and thus, alterations take place periodically. Whilst every effort is made to produce up to date resources, the information included here is intended as a guide. Always refer to the installation instructions when fitting, installation work should be completed by a professional tradesman.