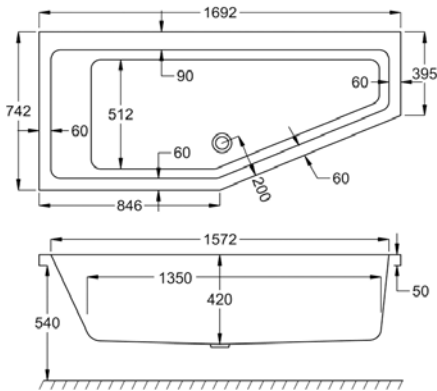


QUANTUM SPACESAVER

L 1700MM
W 750 - 400MM

	5MM	CARRONITE
QUANTUM SPACESAVER	✓	✓
FRONT PANEL SPACE SAVER	✓	✓
END PANEL SPACE SAVER	✓	✓
SCREEN QSS-2	✓	✓
SCREEN CFS-1 (H=1400MM)	✓	✓



Left hand and right hand baths available.
Right hand bath shown.

QSS Hinged Screen recommended.



Carronite



Panel



Whirlpool

WATER CAPACITY

211 LTR

This measurement is taken to the overflow

WHIRLPOOL COMPATIBLE

C-LENDA SYSTEMS

1 & 4

KIT REFERENCES

STANDARD - AK-10-C

CARRONITE - AK-10-C