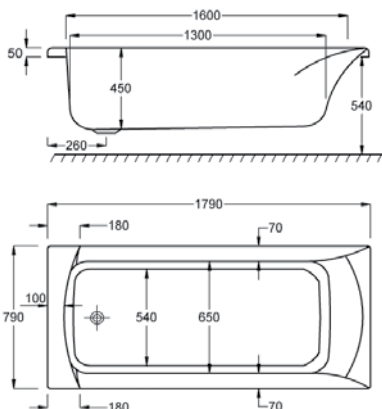


SIGMA

L 1800MM
W 800MM

	5MM	CARRONITE
SIGMA	✓	✓
L-SHAPED PANEL 1800x800x540	-	✓
FRONT PANEL 1800x540	✓	✓
END PANEL 800x540	✓	✓
SCREEN CFS-1 (H=1400MM)	✓	✓
SCREEN CFS-2 (H=1500MM)	✓	✓
GRIPS CCG-1	✓	✓



Carronite



Panel



Hand
Grips



Whirlpool

WATER CAPACITY

240 LTR

This measurement is taken to the overflow

WHIRLPOOL COMPATIBLE

C-LENDA SYSTEMS

1, 2, 3, 4, 5, 6

KIT REFERENCES

STANDARD - AK-03

CARRONITE - AK-03-C