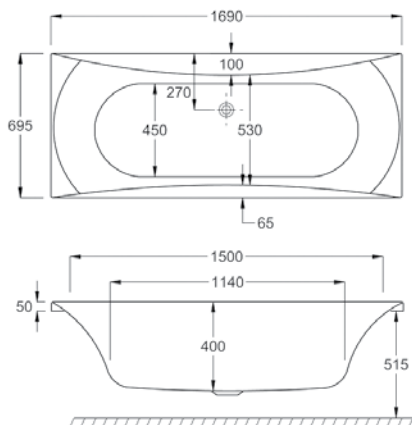


# ALPHA

L 1700MM  
W 700MM

|                             | 5MM | CARRONITE |
|-----------------------------|-----|-----------|
| ALPHA                       | ✓   | ✓         |
| L-SHAPED PANEL 1700x700x515 | -   | ✓         |
| FRONT PANEL 1700x515        | ✓   | ✓         |
| END PANEL 700x515           | ✓   | ✓         |



Carronite



Panel



Whirlpool

## WATER CAPACITY

160 LTR

This measurement is taken to the overflow

## WHIRLPOOL COMPATIBLE

C-LENDA SYSTEMS

1, 2, 3, 4, 5, 6

## KIT REFERENCES

STANDARD - AK-01

CARRONITE - AK-01-C