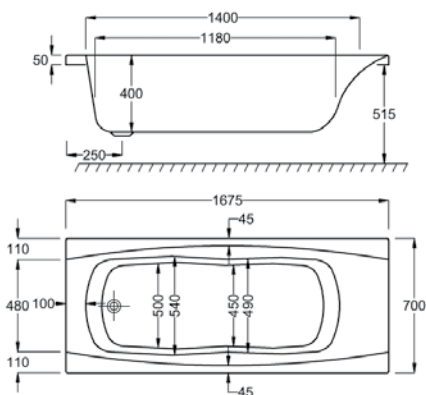


# IMPERIAL TG

L 1675MM

W 700MM

	5MM	CARRONITE
<b>IMPERIAL TG</b>	✓	✓
L-PANEL 1675x700x515	-	✓
FRONT PANEL 1675x515	✓	✓
END PANEL 700x515	✓	✓
SCREEN CFS-1 (H=1400MM)	✓	✓
SCREEN CFS-2 (H=1500MM)	✓	✓



Carronite



Panel



Hand Grips



Whirlpool

## WATER CAPACITY

180 LTR

This measurement is taken to the overflow

## WHIRLPOOL COMPATIBLE

C-LENDA SYSTEMS

1, 2, 3, 4, 5, 6

## KIT REFERENCES

STANDARD - AK-01

CARRONITE - AK-01-C