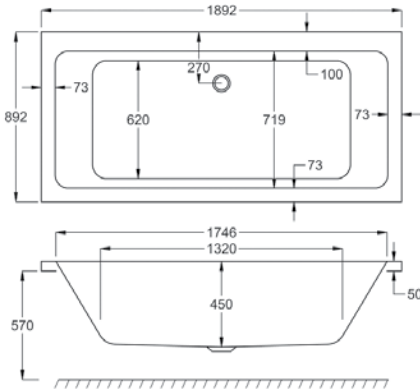


QUANTUM DUO

| | | 5MM | CARRONITE |
|----------|----------------------|-----|-----------|
| L 1900MM | QUANTUM DUO | ✓ | ✓ |
| W 900MM | FRONT PANEL 1900x570 | ✓ | ✓ |
| | END PANEL 900x570 | ✓ | ✓ |



Carronite



Panel



Whirlpool

WATER CAPACITY

350 LTR

This measurement is taken to the overflow

WHIRLPOOL COMPATIBLE

C-LENDA SYSTEMS

1, 2, 3, 4, 5, 6

KIT REFERENCES

STANDARD - AK-03

CARRONITE - AK-03-C