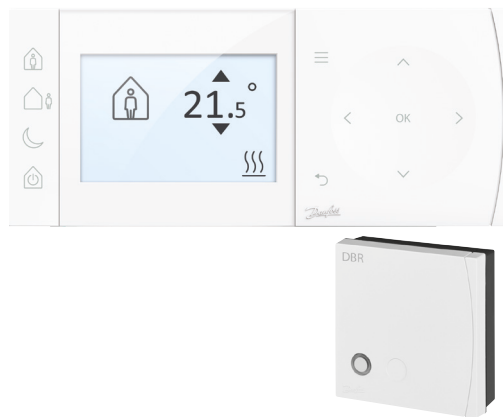


Datasheet

# TPOne-S Intelligent Programmable Room Thermostat with Smart App control

Features



**TPOne-S** is an intuitive programmable thermostat which delivers new levels of user friendly interaction. The large back-lit display uses easy read icons and text information to provide feedback on status and settings to the user.

Secure internet connection to the TPOne Heating smart phone App provides control of your heating from anywhere at any time. This allows the user to adapt their heating on the move saving money when away and improving comfort when returning home.

Installation is simplified by remote switching of the matched RF boiler relay and an optional add on relay can be connected to switch separate domestic hot water systems. TPOne-S is recommended for fixed installation but also available is an optional table stand and plug in power supply for users who want more flexibility.

Benefits:

- WiFi Connectivity
- Remote Controlled via TPOne Heating App
- A single TPOne-S can be paired with up to 10 mobile devices.
- One mobile device with TPOne Heating App can be linked with upto 20 TPOne-S thermostats
- Secure encrypted internet connection via Danfoss cloud services
- Full local control when WiFi/Internet is unavailable
- Includes DBR RF boiler relay
- Holiday Scheduler
- Upper and Lower Temperature Limits
- Capacitive Touch Button Control
- °C or °F Selectable Display
- Audible Button Click (selectable)
- Frost Protect Temperature Setting
- Selectable Domestic Hot Water timer (requires additional DBR, supplied seperately)
- Clear Text Display (9 Languages)
- Boiler Service Timer

TPOne Comfort Modes



**TPOne-S** Programmable Room Thermostat includes the quick access Comfort Modes interface. To the left of the display are 4 dedicated user buttons. As a programmable device heating is controlled by a preset schedule but sometimes our schedules change intermittently so we have made it easy for the user to adapt their heating to suit.

The Home, Away & Asleep buttons allow the user to quickly change the current setting to either save energy or deliver comfort when needed. These manual overrides stay until the next

scheduled heating change so no need to remember to switch back to automatic control.

The additional standby button also gives the control to stop the heating completely, this will save energy when airing the home or can be used to switch off during Summer months without having to change the schedule. Standby remains until the user chooses to switch back on.

These Comfort Modes are mirrored on the home page of the TPOne Heating App for quick changes on the move.

Ordering Information

Item no.	Product name	EAN No
087N785600	TPOne-S + DBR	5013567423927
087N7857	TPOne (DBR) *	5013567423958
087N786800	Optional Table Stand	5013567423934
087N786900	Optional Wall Decor Plate	5013567423637

\* Optional DBR for timed switching of Domestic Hot Water circuit

Specifications

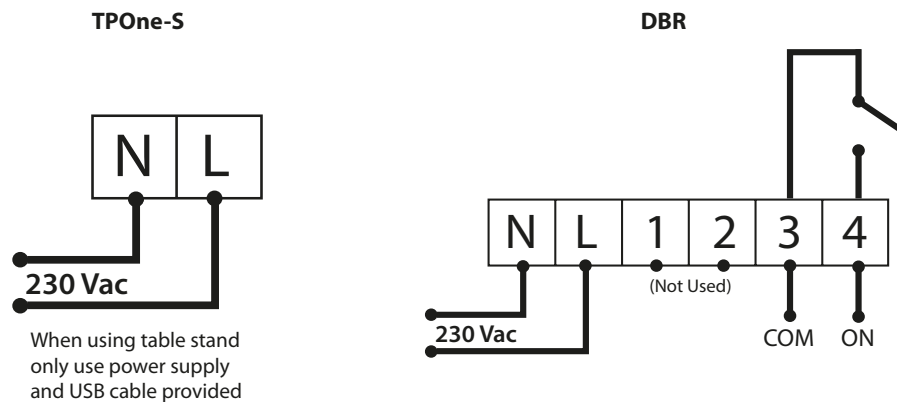
Thermostat Features	TPOne-S	DBR
Type	Programmable Thermostat	Boiler Relay
Power supply	230Vac, 50/60Hz	
Relay type	-	Volt free, SPST type 1A
Relay Rating	-	3A (1A) at 230Vac
Transmission Frequency	868.42MHz	
Maximum Range	30 Metres	
WiFi Specification	802.11b/g (2.4GHz)	-
Setting temperature range	5-35 °C	-
Operating temperature range	0-45 °C	-
IP Rating	IP20	IP40
On/Off Control	Yes	-
Chrono-proportional control	Yes	-
Pollution degree	2 (domestic use)	
Rated impulse voltage	2.5kV	
Ball pressure test temperature	75°C	
Software class	A	
Construction	EN60730-2-9	EN60730-1
Dimensions (mm)	H66 x W155 x D30	H84 x W84 x D30

ErP Class

ERP Class		
The products represented within this document are classified according to, and allow completion of, the Energy Related Product (ErP) Directive System Package fiche and the ErP system data label. ErP Labelling obligation is applicable from 26th September 2015.		
ErP Class	Product Function and ErP Description	Additional efficiency gain
IV	<b>TPI Room Thermostat, for use with on/off output heaters</b>  An electronic room thermostat that controls both thermostat cycle rate and in-cycle on/off ratio of the heater proportional to room temperature. TPI control strategy reduces mean water temperature, improves room temperature control accuracy and enhances system efficiency.	2%



Wiring Details



Danfoss Ltd.

Amphthill Road • Bedford • MK42 9ER • United Kingdom • Tel: 01234 364621 • Fax: 01234 219705  
 ukheating@danfoss.com • www.heating.danfoss.co.uk

Danfoss can accept no responsibility for possible errors in catalogues, brochures, and other printed material. Danfoss reserves the right to alter its products without notice. This also applies to products already on order provided that such alterations can be made without consequential changes being necessary in specifications already agreed. All trademarks in this material are property of the respective companies. Danfoss and the Danfoss logotype are trademarks of Danfoss A/S. All rights reserved.