

Datasheet

RMT Electro-Mechanical Room Thermostat

Application



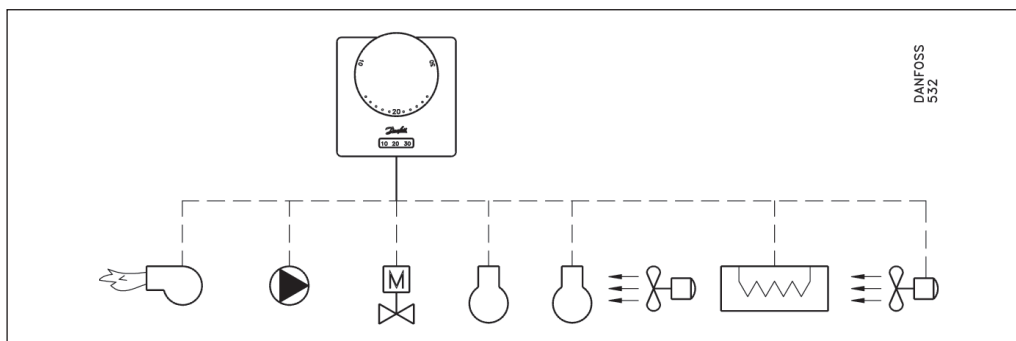
RMT room thermostats are suitable for the control of heating, ventilation and air conditioning systems.

The range includes models for use in 24V systems - types RMT 24, RMT 24T and RMT 24R, plus models for use in 220/240V systems - types RMT 230 and RMT 230T.

Versions are also available with built-in thermometer and night set-back function.

Please refer to tables below for technical specifications and ordering codes.

Principle



Data

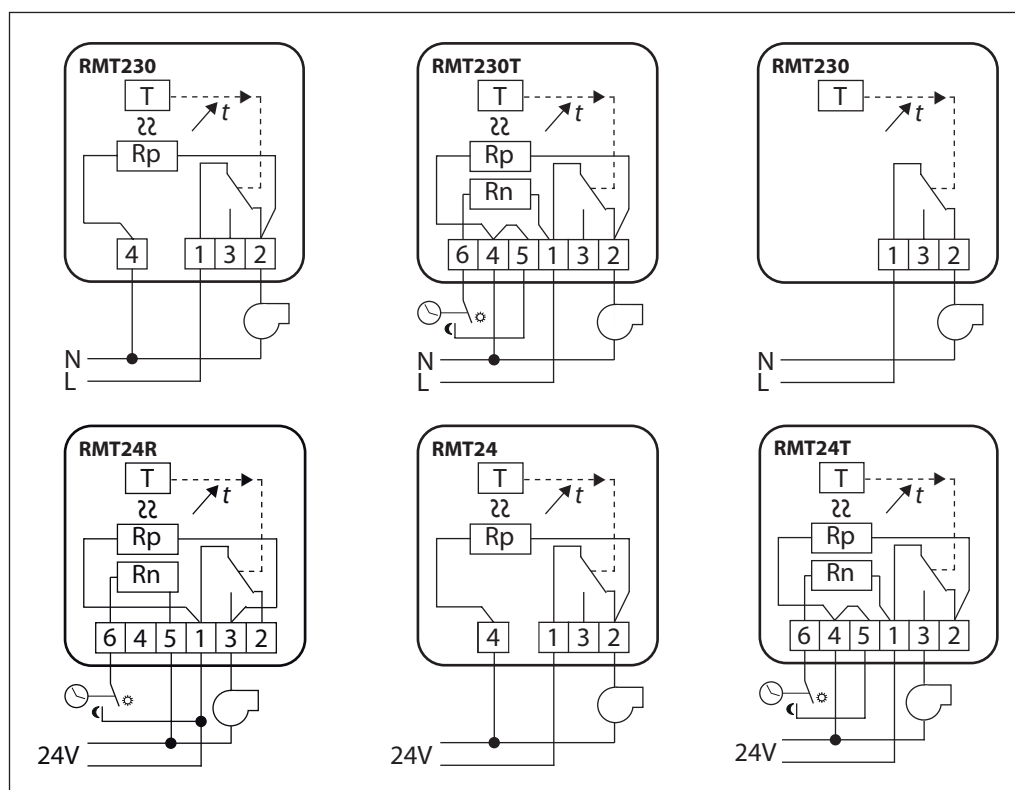
	RMT-24	RMT-230
Temperature Range °C	8 - 30	8 - 30
Contact Type	SPDT	SPDT
Contact Material	Ag	Ag
Contact Rating, Ohmic A a.c.	10	10
Contact Rating, Inductive $\cos \phi = 0.6A$ a.c.	4	4
Contact Rating, Start Current A a.c.	24	24
Contact Rating, Ohmic A d.c.	1	
Contact Rating, Minimum mA a.c./mA d.c.	70	150
Thermal Deviation °K	< 2.5	< 2.5
Cut in Stability °K	< 0.5	< 0.5
Time Constant (Vair = 0.15m/sec) min	< 14	< 14
Thermal Differential °K (with accelerator)	< 1.0	< 1.0
Storage Temperature Range	-20 - +50	-20 - +50
Working Temperature Range	-10 - +50	-10 - +50
Air Humidity % RH	40-60	40-60
Weight g	150	150
Protection Class	IP 20	IP 20

Ordering

Type	Order Code	Description	Accelerator	Thermometer	Night Setback
RMT-230	087N1100	230 V a.c.	Parallel	No	No
RMT-230 ¹	087N1110	230 V a.c.	No	No	No
RMT-230T	087N1125	230 V a.c.	Parallel	Yes	Yes
RMT-24	087N1196	24 V a.c.	Parallel	No	No
RMT-24T	087N1197	24 V a.c.	Parallel	Yes	Yes
RMT-24R ²	087N1195	24 V a.c.	Parallel	No	Yes
	087N0099	Adaptor plate for flush mounting			

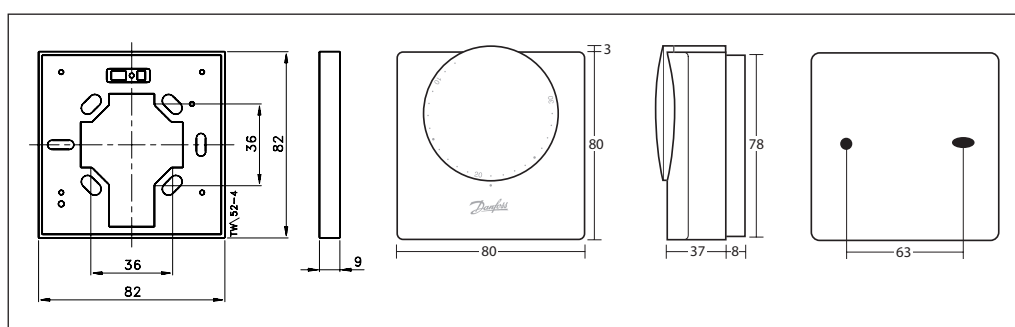
1) No accelerator heater 2) Only to be used with actuator ABN-NO

Electrical Connection



1 - 2 opens on increase in temperature
1 - 3 closes on increase in temperature

Dimensions



Danfoss can accept no responsibility for possible errors in catalogues, brochures, and other printed material. Danfoss reserves the right to alter its products without notice. This also applies to products already on order provided that such alterations can be made without subsequent changes being necessary in specifications already agreed. All trademarks in this material are property of the respective companies. Danfoss and the Danfoss logotype are trademarks of Danfoss A/S. All rights reserved.