

ELECTROFLO RANGE

Encompassing infra-red WC flushing, urinal controls and taps, the Electroflo range has been specifically developed to save water and maintain hygiene.

Electroflo products also help to integrate cutting edge technology and the latest contemporary styling into every application.



SAVING WATER

Offering WC flushing volumes as low as 2.6 litres, urinal controls and taps that deliver as little as 1 litre of water per use, the Electroflo range supports Code for Sustainable Homes, BREEAM and other water and energy saving initiatives.

SAVING TIME AND MONEY

Dudley Electroflo products are also simple to install and service in order to save both time and money on-site.

SPARES READILY AVAILABLE

Spares are readily available to help maximise the working life of every Dudley cistern.

Please see pages 68-73, visit spares.thomasdudley.co.uk or call us on 0121 530 7000 (Sales).

HYGIENIC OPERATIONS

All taps are programmed as standard to switch on automatically for a short period, if the tap has not been operated for more than a 24 hour period, to prevent dead legs.



Finding the perfect electronic product for every project.

	ELECTROFLO WC (PAGE 43-44)	ELECTROFLO URINAL CONTROLS (PAGE 45)	KINETIC (PAGE 46)	ELECTROFLO TAPS (PAGE 47-50)	ELECTROFLO CONTEMPORARY AND HORIZON SOAP DISPENSERS (PAGE 51)	ELECTROFLO AUTOMATIC HAND DRYERS (PAGE 51)
WC FLUSHING	•					
URINAL FLUSHING		•	•			
TAPS				•		
SOAP DISPENSERS					•	
HAND DRYERS						•

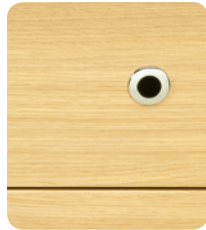
DUDLEY ELECTROFLO® WC FOR CONCEALED CISTERNS



Behind tiles.



Behind panelling.



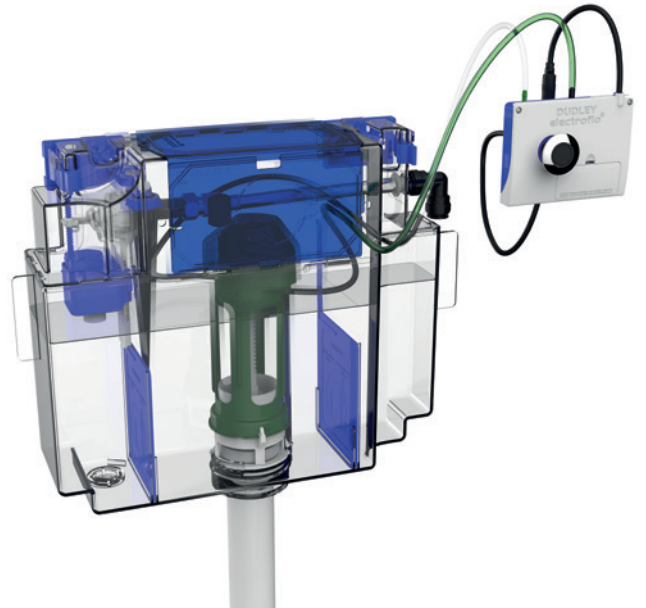
In furniture.



Chrome plated sensor.



Stainless steel sensor.



USES

- Innovative electronic WC flushing system designed for use with Dudley Vantage and Miniflo concealed cisterns (pages 19-20) and Illusion A and V frames (pages 37-38).
- Ideal for use in bathroom furniture, behind tiles and partitioning and in most other domestic and commercial applications.
- The Electroflo can also be simply retrofitted to upgrade existing pushbutton or push plate operated Vantage cisterns.

FEATURES

- Discreet sensor provides water saving dualflush when a hand is held in front or waved across the sensor. This provides a hygienic touch-free solution.
- Sensor is also interactive and indicates when full or reduced flushes are being delivered and when the cistern is refilling.
- Sensor surround measures just 40mm in diameter and comes in an attractive chrome plated or stainless steel finish. A 100mm diameter commercial sensor surround with operating instructions is also available.

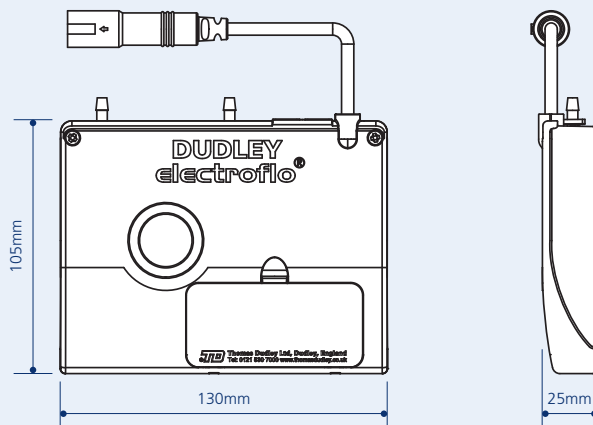
- Compact control box fits neatly onto the rear panel into which the sensor is installed.
- Powered by four 1.5V AA batteries (not included) or mains via a 240V transformer.
- 400mm long sensor cable plugs into the control box via a userfriendly adaptor.
- Spares are readily available.

WATER-SAVING

- 6/4, 5/3 or 4/2.6 litre dualflush.
- Supports Code for Sustainable Homes and BREEAM.

OPTIONS

- Battery or mains powered.
- 40mm or 100mm diameter sensor surrounds.
- Extension kit for use with walls up to 170mm thick.
- Stainless steel sensor also available.



New junction box can be used to power up to 10 WC units from one mains input. This includes LED status indicators for each Electroflo WC unit.

DUDLEY ELECTROFLO® WC FOR CERAMIC CISTERNS

Innovative electronic WC flushing system that can be used to upgrade new or existing push button operated ceramic cisterns to electronic flushing.

Discreet infra-red sensor provides water-saving dualflush and sits neatly into the cistern lid.

The control box fits into the cistern. Ideal for domestic and commercial applications.



DUDLEY ELECTROFLO® URINAL CONTROLS

Potential water savings that can be achieved using Electroflo Urinal Controls.

APPLICATION	AUTO SYPHON SYSTEM FLUSHING ALL URINALS 48 TIMES A DAY	ELECTROFLO URINAL INFRA-RED CONTROLS FLUSHING INDIVIDUAL URINALS AFTER USE
Commercial washroom (spreader run of three urinals being used 100 times per day):		
FLUSHES PER DAY	48	100
AVERAGE WATER USED PER FLUSH	12 LITRES	1 LITRE
TOTAL WATER USED PER YEAR	210,240 LITRES	36,500 LITRES
ANNUAL WATER SAVING		173,740 LITRES
ANNUAL FINANCIAL SAVING (based on estimated metered charges at September 2011)		£305.31

DUDLEY ELECTROFLO® URINAL CONTROLS



Sensor



Plate



Square plate

USES

- Electroflo electronic urinal controls sit neatly above the urinal bowl and can be used with confidence in most commercial applications.

FEATURES

- Infra-red sensor flushes each urinal after use.
- Flushing is activated when the user has moved away from the urinal.
- Flushing time can be adjusted from 3-20 seconds.

- Suitable for pressures of 0.3- 8.0 bar.
- Sensor is supplied with a solenoid valve.
- Sensor has a range of 55cm and is adjustable.
- Hygiene flush every 24 hours.
- Sensor and sensor plates come with 15mm pushfit connector and 1/2" BSP connectors respectively and can be easily installed into partitioning materials and tiles.
- Spares are readily available.

WATER-SAVING

- Deliver as little as 1 litre of water per flush to deliver significant savings compared with traditional petcocks.
- Supports BREEAM.

OPTIONS

- 35mm diameter sensor surround or choice of sensor plates.
- 9V externally mounted battery or mains powered.
- Sensors available in polished chrome and stainless steel effect finishes.

