

## Data Sheet

# Lockshield Valve Type RLV-D & RLV-S

### Application



*RLV-D with pushfit elbow*



*RLV-D with compression fitting*



*RLV-S Straight*



*RLV-S Angle*

#### **Type RLV-D**

The RLV-D is a lockshield valve designed for use in domestic heating systems and meets the requirements in BS2767-10. Fittings and valve body dimensions are identical to those of the RA-FR valve body used with the RAS-C & RAS-D radiator thermostats, allowing the installer greater freedom in terms of work flow and ease of installation. Adjustment of the lockshield for regulation and isolation is by means of a 6mm Allen key socket in the valve body which is normally covered and protected by a screw-on brass cap. RLV-D can also be used in closed comfort cooling systems, if the piping system is free of oxygen.

The push-fit fitting is suitable for 10mm copper pipes manufactured in accordance to BS 2871 part 1 / BS EN 1057: 1996 and for 10 mm polybutelene (PB) pipes including Hep20, Polyplumb, OsmaGold, and 10 mm cross linked

Polyethylene (PEX) pipes made in accordance to BS7291 part 1:1990 or part 3:1990. Always use plastic pipe inserts of the same brand as the pipe used.

#### **Type RLV-S**

The RLV-S is a lockshield valve designed for use in domestic heating systems and meets the requirements in BS2767-10. Fittings and valve body dimensions are identical to those of the RA-FN valve body used with RA 2000 radiator thermostats, allowing the installer greater freedom in terms of work flow and ease of installation. Adjustment of the lockshield for regulation and isolation is by means of a 6mm Allen key socket in the valve body which is normally covered and protected by a screw-on brass cap. RLV-S can also be used in closed comfort cooling systems, if the piping system is free of oxygen.

### Code Nos. and Technical Data

#### **RLV-D**

Pattern	Type	Connection sizes		Code no.
		Pipe	Radiator	
Angled with pushfit-elbow	RLV-D	10 mm pushfit	1/2"	<b>003L020500</b>
Angled with compression fitting	RLV-D	15 mm	1/2"	<b>003L020300</b>
	RLV-D	8/10 mm	1/2"	<b>003L020400</b>

**RLV-S**

Pattern	Type	Connection sizes		Code no.
		Pipe	Radiator	
Angled	RLV-S 10	3/8"	3/8"	<b>003L012100</b>
	RLV-S 15	1/2"	1/2"	<b>003L012300</b>
	RLV-S 15	15 mm	1/2"	<b>003L012315</b>
	RLV-S 20	3/4"	3/4"	<b>003L012500</b>
Straight	RLV-S 10	3/8"	3/8"	<b>003L012200</b>
	RLV-S 15	1/2"	1/2"	<b>003L012400</b>
	RLV-S 15	15 mm	1/2"	<b>003L012415</b>
	RLV-S 20	3/4"	3/4"	<b>003L012600</b>

**Features**

Pipe connection	Compression fitting	RLV-D push-fit
Maximum Working Pressure	10 bar	3 bar
Maximum Working Temperature	120°C	92°C
Valve Body Finish	Nickel Plated	Nickel Plated
Gland Seal Type	'O' Ring	'O' Ring
Supplied with LSV Cap (nickel plated brass)	Yes	Yes
Supplied with Wheelhead Cap	No	No

**Accessories**

A white (RAL 9010) plastic Wheel Head and Cover Cap can be retro-fitted to the RLV-D and RLV-S valves. The Wheel Head allows manual operation

of the lockshield valves. The Cover Cap provides the option of a more conventional lockshields valve design

**Wheel Head & Cover Cap for RLV-D & RLV-S**

Description	Code no.
Wheel Head	<b>003L010600</b>
Cover Cap (50 pcs.)	<b>003L010800</b>

For the RLV-D push-fit version the collet cover or the collet clip provide added security against unintended pipe disconnection. Both collet

covers and clips give added security, but the cover also improves the neatness of the installation.

**Cover and Clip for RLV-D Push-fit**

Description	Code no.
Collect Cover for push-fit connection (10 pcs.)	<b>013G491200</b>
Collect Clip for push-fit connection (10 pcs.)	<b>013G491300</b>

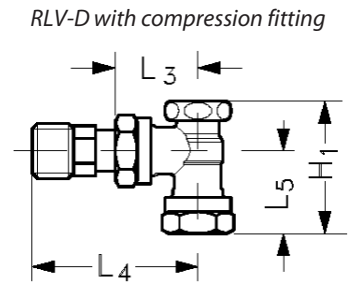
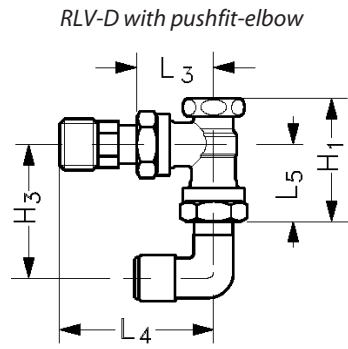
**Drain-off tail piece for RLV-D**

Description	Code no.
Drain-off tail piece	<b>003L010500</b>

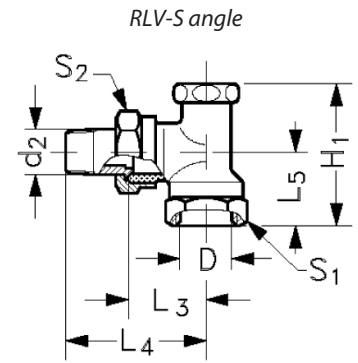
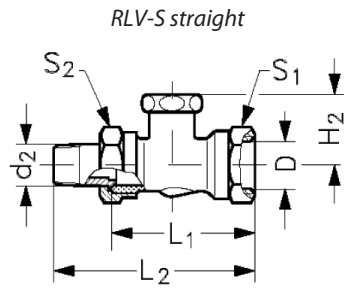
**Compression fitting for RLV-S**

Description	Code no.
1/2" x 8 mm copper compression fitting	<b>013G410800</b>
1/2" x 10 mm copper compression fitting	<b>013G411000</b>
1/2" x 15 mm copper compression fitting	<b>013G411500</b>
3/4" x 15 mm x 2.5 mm copper compression fitting for PEX plastic pipe	<b>013G415500</b>
3/4" x 15 mm x 2.5 mm copper compression fitting for Alupex plastic pipe	<b>013G418500</b>

Dimensions



Type	H <sub>1</sub>	H <sub>3</sub>	L <sub>3</sub>	L <sub>4</sub>	L <sub>5</sub>
RLV-D with pushfit-elbow	48	49-55	30	60	30
RLV-D with compression fitting	48	-	30	60	30



Type	D	d <sub>2</sub>	H <sub>1</sub>	H <sub>2</sub>	L <sub>1</sub>	L <sub>2</sub>	L <sub>3</sub>	L <sub>4</sub>	L <sub>5</sub>	S <sub>1</sub>	S <sub>2</sub>
RLV-S 10	G 3/8	R 3/8	42	26	51	75	27	51	23	22	27
RLV-S 15	G 1/2	R 1/2	52	28	53	80	30	57	27	27	30
RLV-S 20	G 3/4	R 3/4	52	28	61	92	34	65	30	32	37

Danfoss A/S  
Heating Solutions  
Haarupvaenget 11  
8600 Silkeborg  
Denmark  
Phone: +45 7488 8000  
Fax: +45 7488 8100  
Email: [heating.solutions@danfoss.com](mailto:heating.solutions@danfoss.com)  
[www.heating.danfoss.com](http://www.heating.danfoss.com)

---

Danfoss can accept no responsibility for possible errors in catalogues, brochures and other printed material. Danfoss reserves the right to alter its products without notice. This also applies to products already on order provided that such alterations can be made without subsequential changes being necessary in specifications already agreed. All trademarks in this material are property of the respective companies. Danfoss and the Danfoss logotype are trademarks of Danfoss A/S. All rights reserved.

---