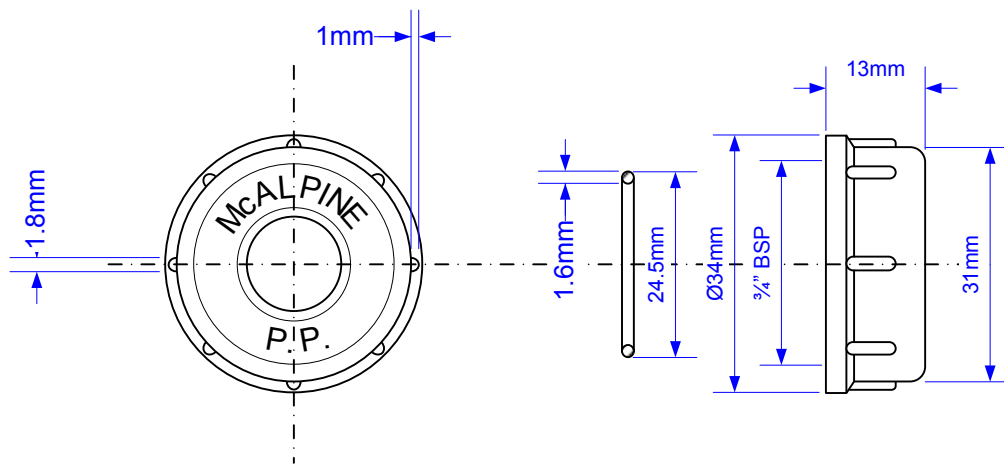


Code:

# NUT-WMVALVE



Drawing verified  
correct as of:

22/11/2012  
RM

DRAWN BY

RM

REVISED

SCALE

1: 1

FILENAME

NUT-WMVALVE.VSD

DATE

22/11/2012