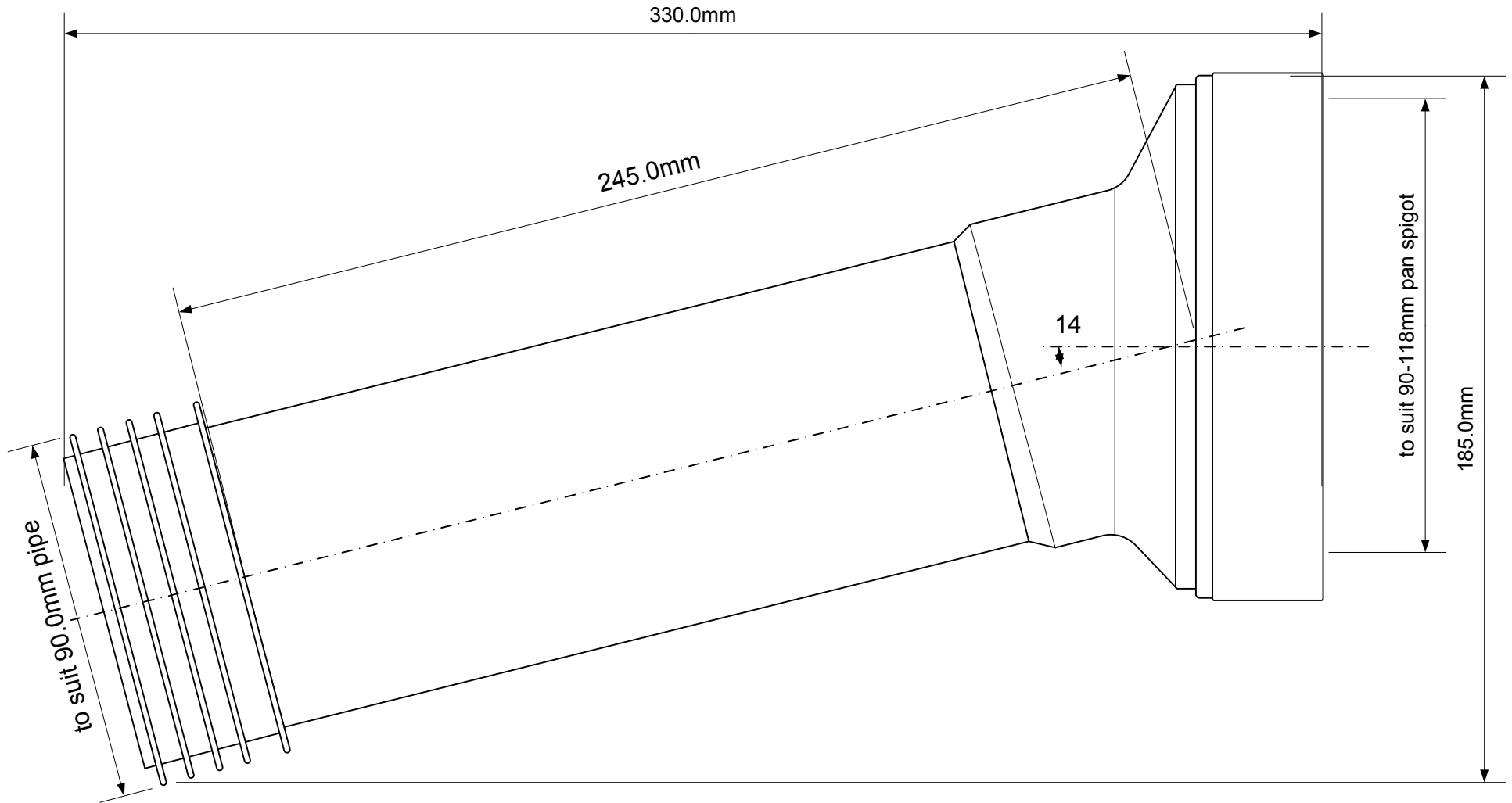


Code:

WC-CON7B



Drawing verified correct as of:

30/01/2009
RM

DRAWN BY

RM

REVISED

SCALE

1: 1.55

FILENAME

WC-CON7B.VSD

DATE

30/01/2009