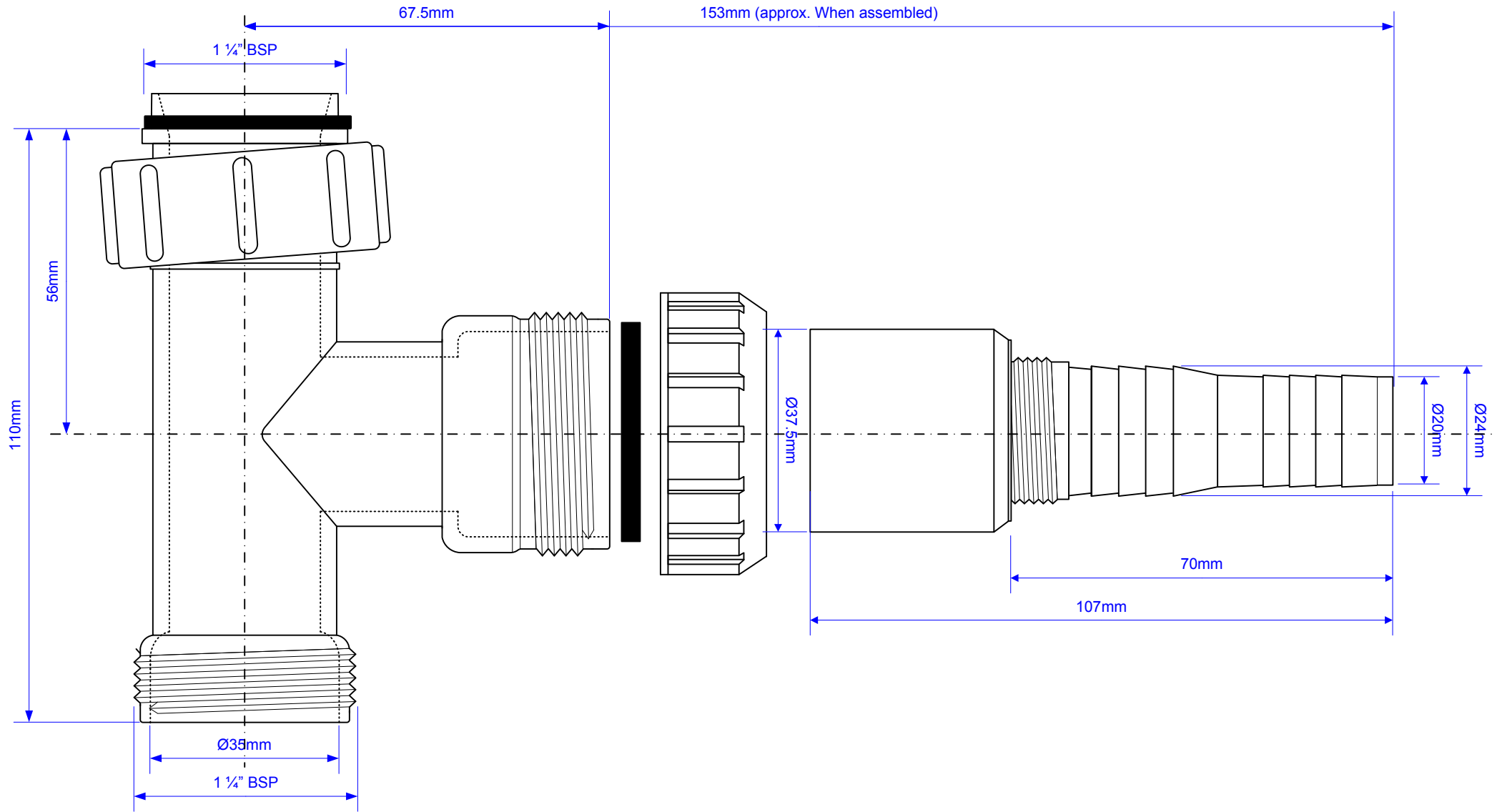


Code:

V34L



Drawing verified correct as of:

15/01/2015
RM

DRAWN BY

RM

REVISED

15/01/2015

FILENAME

V34L.VSD

SCALE

1:1

DATE

15/01/2015