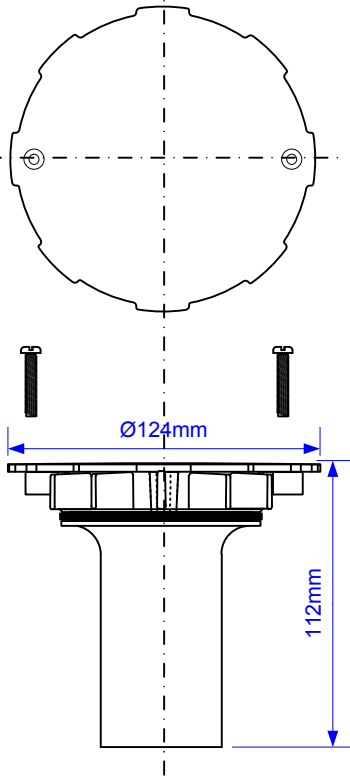


Code:

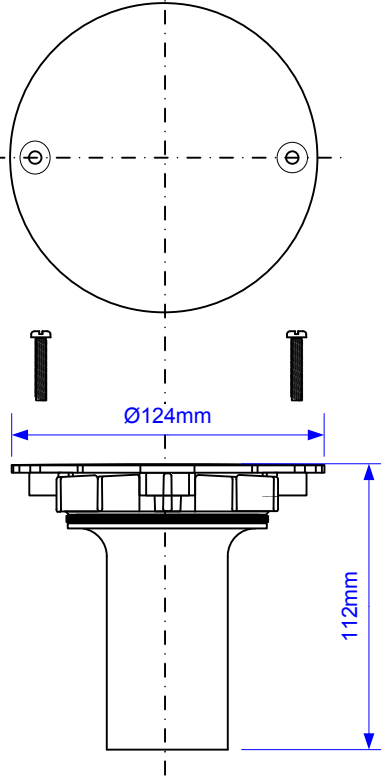
# 75mm Vertical Trapped Gully for use with Sheet Flooring.



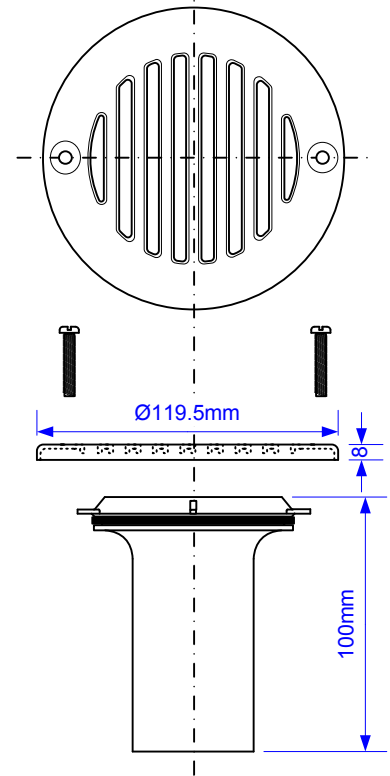
Grid and Tube dimensions for  
**TSG2WH** (with screws)  
**TSG2WH-NSC** (no screws)



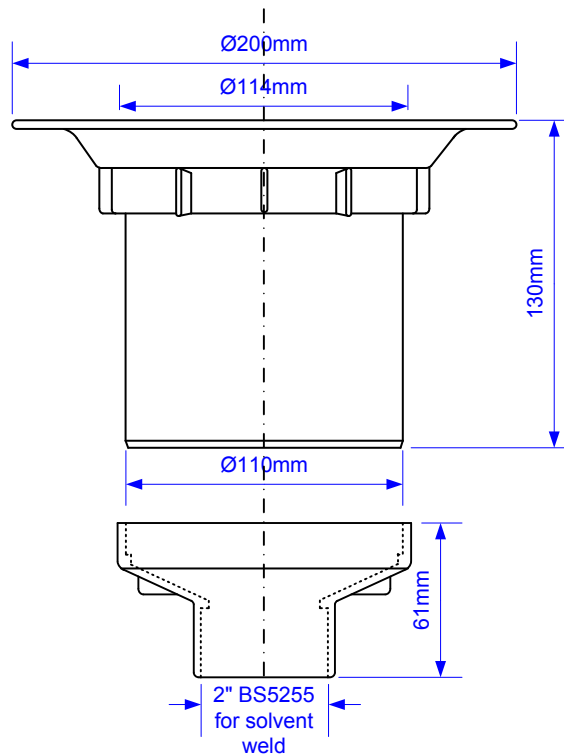
Grid and Tube dimensions for  
**TSG2SS**



Grid and Tube dimensions for  
**TSG2SS-SL-SC** (with screws)  
**TSG2SS-SL-NSC** (no screws)



Each product uses this Trap Body



## ***75mm Water Seal***

Drawing verified correct as of:

28/08/2017  
RM

DRAWN BY

RM

REVISED

SCALE

1: 3

FILENAME  
75MM VERTICAL SHEET FLOORING TRAPS.VSD

DATE

28/08/2017