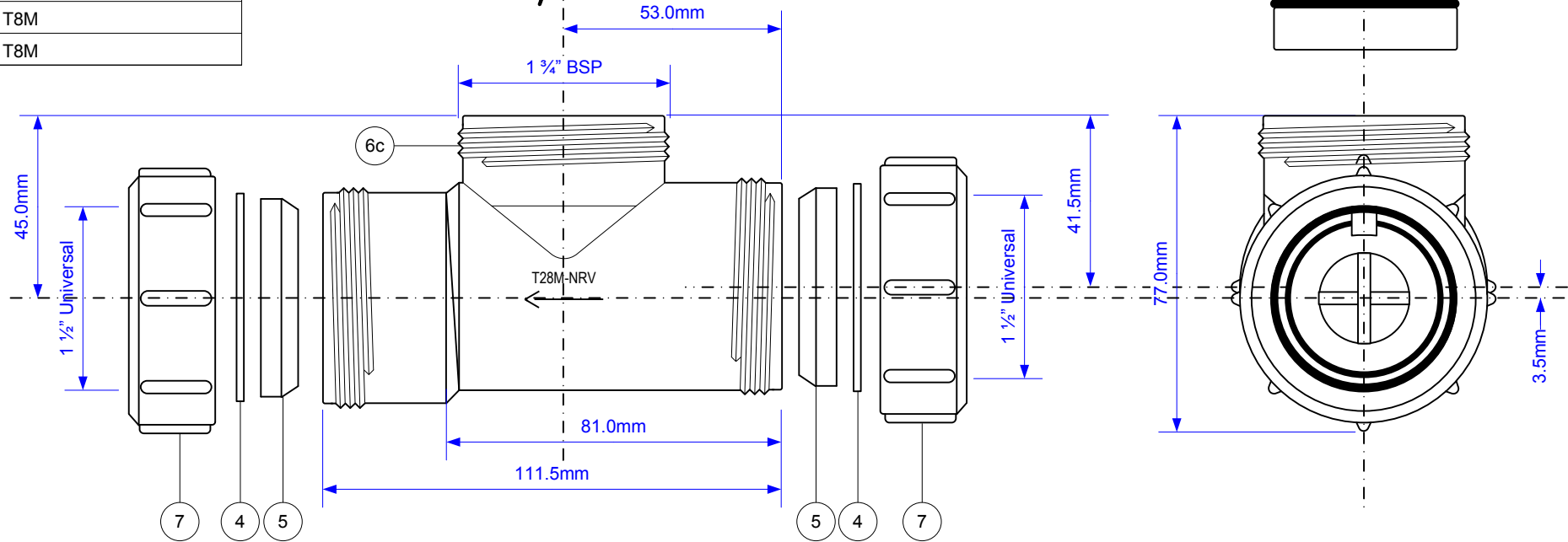
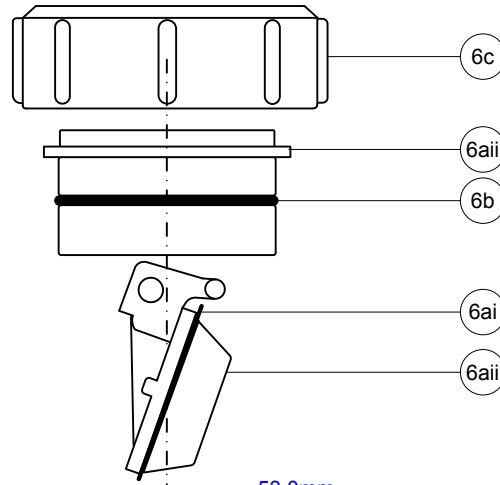


Code:

T28M-NRV

Part No.	Code
1	P-B-16X24MC
2	P-B-S270X250MC
3	P-C-S1H
4	PWM2
5	RWM2
6	T28MNRVBODY-SUB
a	CAR+DIA-T28M
i	P-RW-N/R-VALVE
ii	T28MNRVCARBODY
b	P-OR-T28MNRV
c	T28MNRVBODY
d	T8M
7	T8M



© McALPINE
16/08/2011

Drawing verified correct as of:

28/05/2015
RM

DRAWN BY	RM
SCALE	1: 1.55

REVISED	13/06/2003, 08/03/2011, 16/08/2011
DATE	16/03/2015, 28/05/2015

FILENAME	T28M-NRV.VSD
DATE	28/05/2015