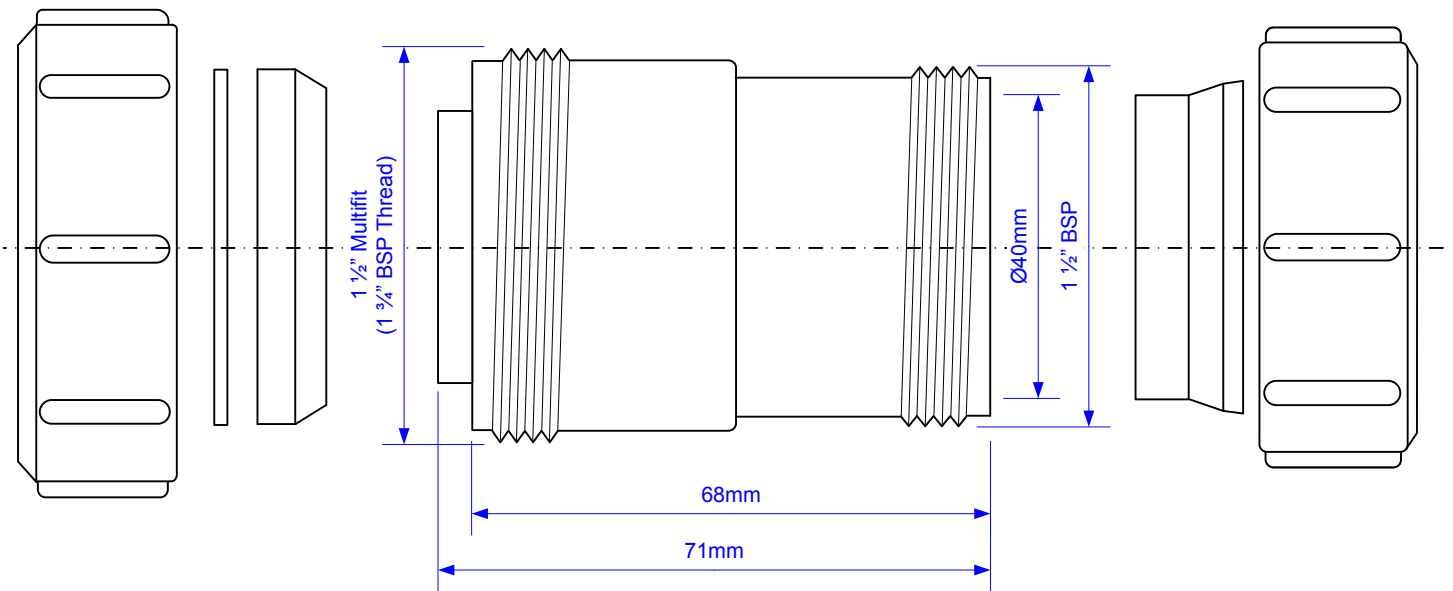


Code:

# T28L-ISO



© McALPINE  
10/05/2013

Drawing verified  
correct as of:

12/03/2015  
RM

DRAWN BY

RM

SCALE

1: 1

REVISED

08/10/2004, 22/06/2012

27/09/2012, 10/05/2013

12/03/2015

FILENAME

T28L-ISO.VSD

DATE

12/03/2015