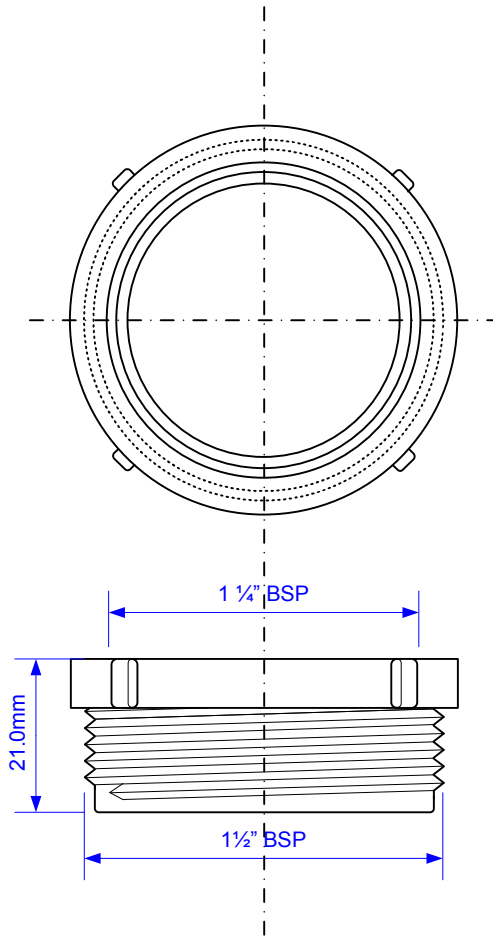


Code:

T16



Drawing verified
correct as of:

DRAWN BY

RM

REVISED

SCALE

1: 1

FILENAME

T16.VSD

DATE

28//09/2012