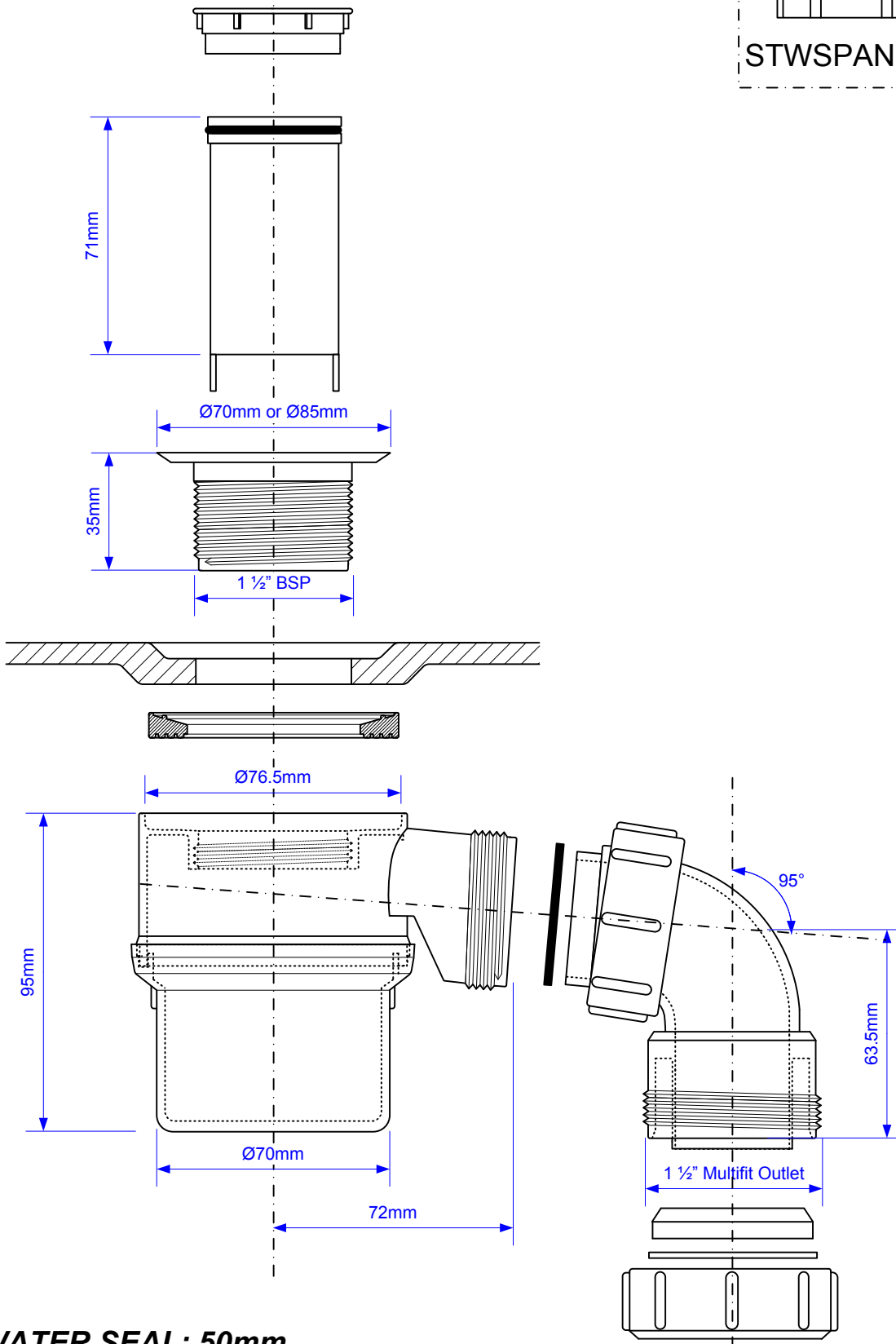
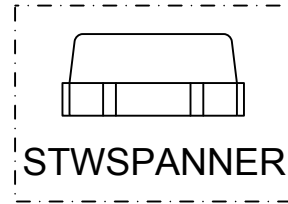


Code:

# STW with 50mm Seal



**WATER SEAL: 50mm**

© McALPINE  
15/02/2011

Drawing verified  
correct as of: 18/03/2016  
RM

DRAWN BY  
RM  
SCALE  
1: 1.85

REVISED  
15/02/2011, 12/01/2015  
30/03/2015, 18/03/2016

FILENAME  
STW2-95.VSD  
DATE  
18/03/2016