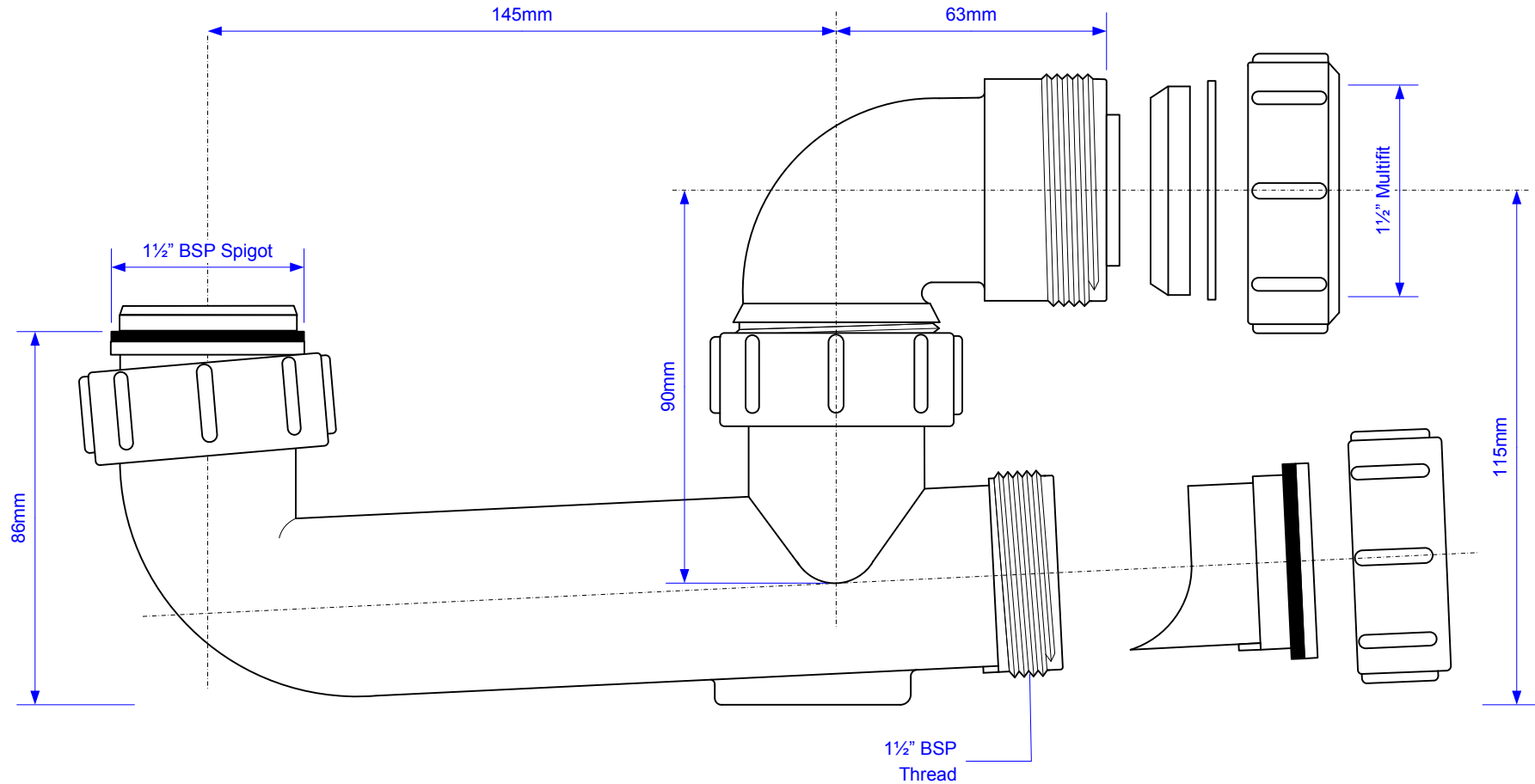


Code:

SM10E



Water seal: 50mm

©
McALPINE

Drawing verified correct as of:	30.01.13	DRAWN BY	TC	REVISED	Redrawn with correct body and outlet	FILENAME	SM10E.VSD
	T.C.	SCALE	1: 1.5		30.01.13 TC	DATE	31.01.13