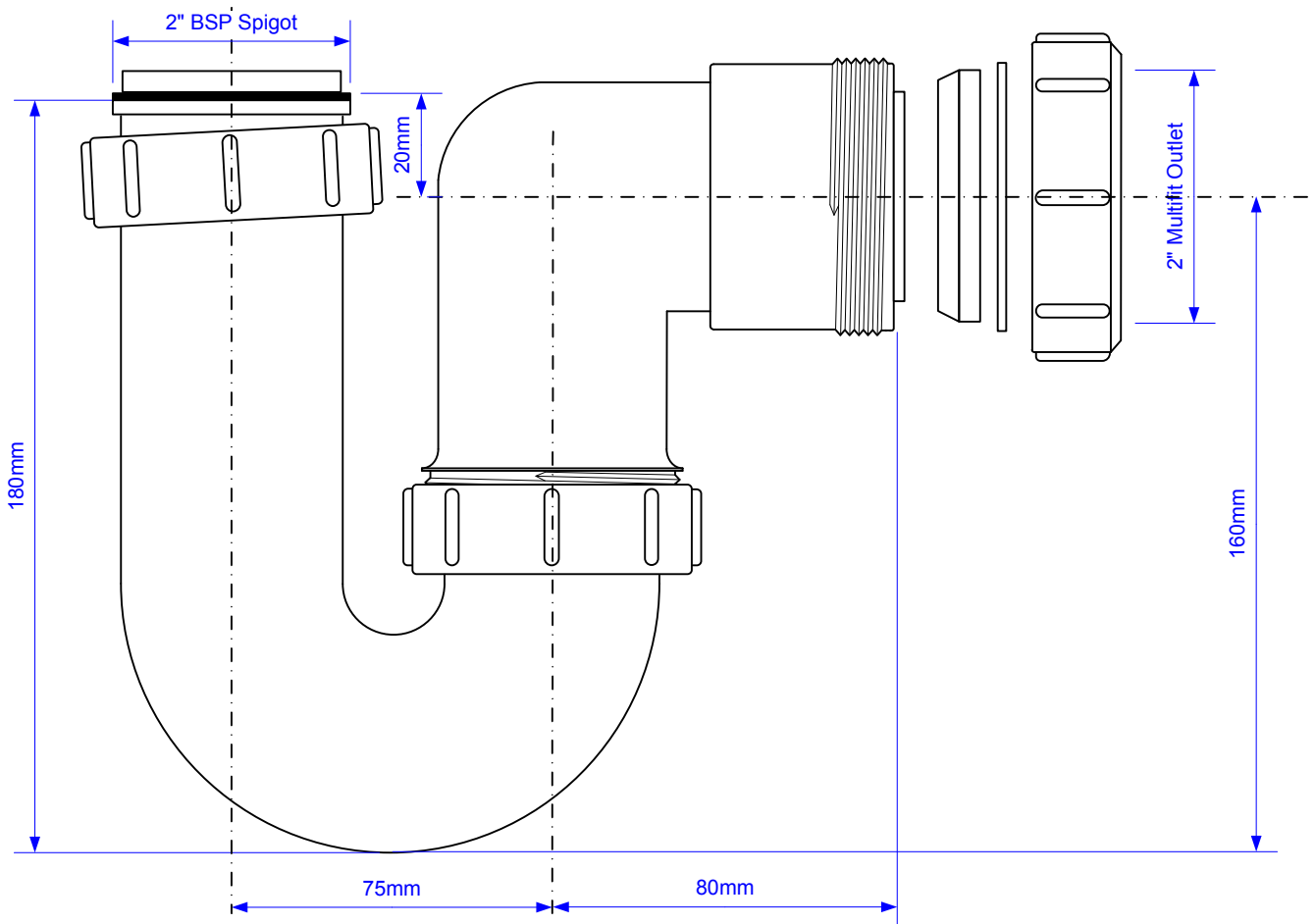


Code:

SE10



McALPINE

Drawing verified  
correct as of:

04.06.14  
TC

DRAWN BY  
TC  
SCALE  
1: 1.75

REVISED  
1 - add 20mm dimension (TC)  
2 - Remove Z8A-OS, Add Z8A (c/n J607 08.12.14 TC)

FILENAME  
SE10.VSD  
DATE  
04.06.14