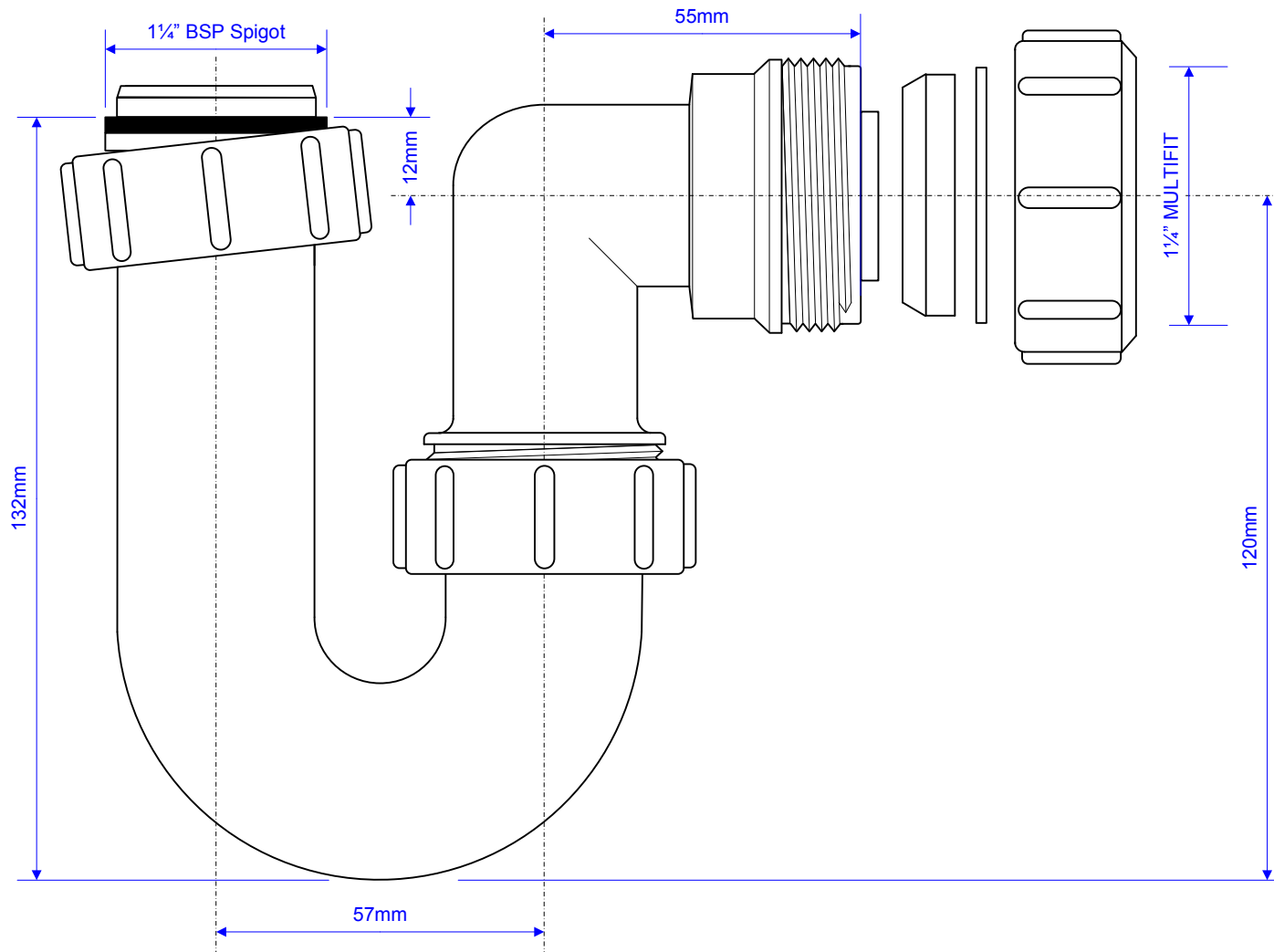


Code:

SA10



©

McALPINE

Drawing verified correct as of:

02.06.14
TC

DRAWN BY

TC

REVISED

1 – add 12mm dimension (TC)

FILENAME

SA10.VSD

SCALE

1: 1.2

DATE

02.06.14