

FRZ BAS C

FRENZY Tap Range Frenzy Basin Mixer Chrome



Features:

- Long life ceramic cartridge for added durability and ease of use
- Metal fixing nut for added durability
- Flexible tails included
- Includes clicker waste

Product Certifications:



WRAS Cert. Number: 1610002
WRAS Expiry Date: 31/10/2021



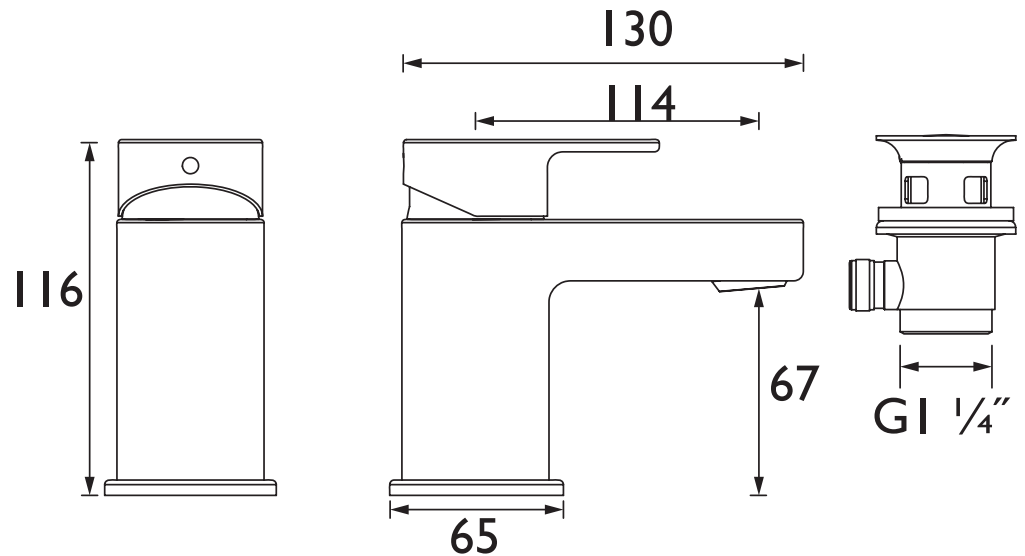
For more products, visit our website:
<http://www.bristan.com>



Specification

Product Type:	Bathroom Tap
Main Construction Material:	Brass
Mount Type:	Deck Mounted
Handle Type:	Paddle Handle
Connection Inlet:	1/2" BSP Flexible Tails
Connection Outlet:	M24 5lpm Flow Limiter
Number of Tap Holes:	1
Valve/Cartridge Type:	35mm Cartridge
Plumbing System Requirements:	Suitable for all plumbing systems
Minimum Dynamic Pressure:	0.3 Bar
Maximum Dynamic Pressure:	5.0 Bar
Maximum Hot Water Temperature: °C	65
Maximum Static Pressure: (bar)	10
Flow Type:	Single Flow
Isolation Included:	No

Dimensions (measurements in mm)



Flow Rates (l/min)

System Pressure (bar)	0.3	0.5	1	2	3	5
FRZ BAS C	5	5	5	5	5	5

TECHNICAL
DATA
SHEET



BRISTAN

D10