



### Features:

- Chrome PLated to BS EN 248
- Plastic Back Nuts
- Compatible with low pressure water systems, optimised for UK market
- Quarter turn ceramic discs - for smoother operation and added durability
- Shorter spout which is ideal for small basins
- Available in a selection of finishes

### Product Certifications:



### Additional Information:

Other Products in the Dawlish range include:

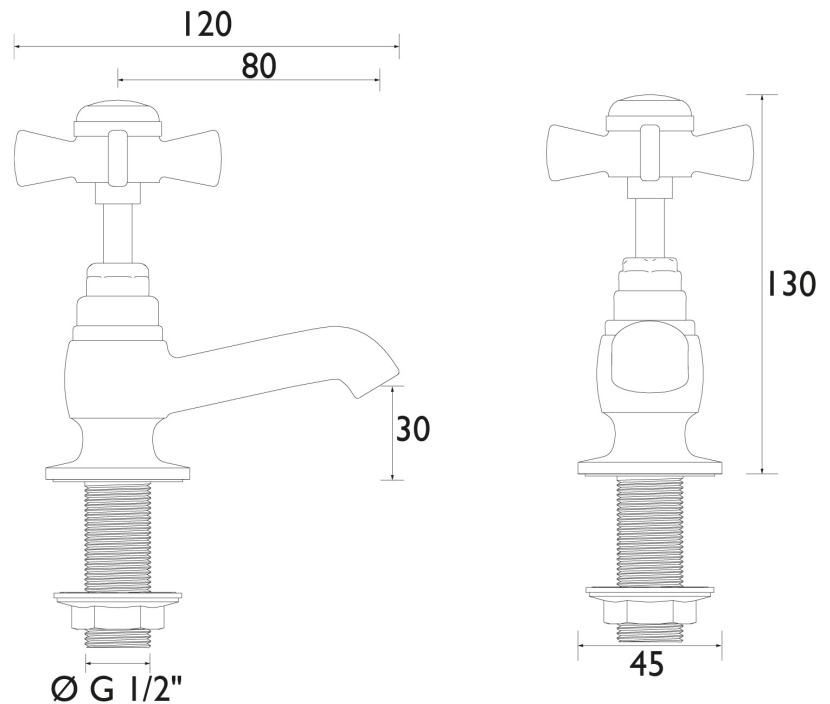
- Basin Taps
- Basin Mixer
- Bath Filler
- Bath Taps
- Bath Shower Mixer

Available in Chrome, Vintage Gold and Rose Gold

### Specification

Product Type:	Bathroom Taps
Main Construction Material:	Brass
Mount Type:	Deck
Handle Type:	Crosshead
Connection Inlet:	G 1/2" BSP
Connection Outlet:	Open
Number of Tap Holes:	2
Valve/Cartridge Type:	Quarter Turn 3/4" Ceramic Disc
Plumbing System Requirements:	All - Ideally Balanced
Working Pressure Range:	Min 0.1 Bar, Max 5.0 Bar
Maximum Hot Water Temperature: °C	65
Maximum Static Pressure: (bar)	10
Flow Type:	Single
Isolation Included:	No

### Dimensions (measurements in mm)



### Flow Rates (l/min)

System Pressure (bar)	0.1	0.2	0.5	1	2	3	5
TDCCS00	5.6	7.92	13.2	18.6	26.3	32.04	41.59