



PRODUCT SPECIFICATION

KARIS COMFORT HEIGHT BTW PAN & SEAT

ILLUSTRATION: KARIS COMFORT HEIGHT BTW PAN

CODE: BTW PAN - POT730LS
SOFT CLOSE SEAT - POT096RE
SLIM SOFT CLOSE SEAT - 87510

COLOUR: WHITE



WEIGHT: WC PAN SEAT

NET: 24 KG 1.4 KG

GROSS: 25 KG 1.6 KG

STANDARDS: BS EN 997 WCs
BS 3402

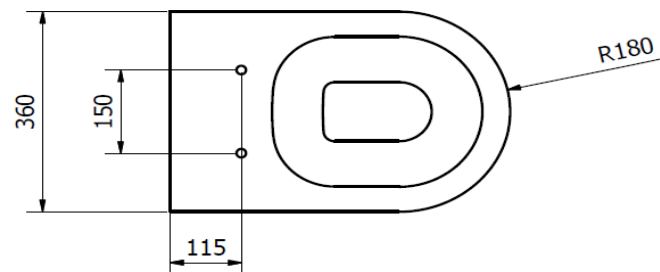
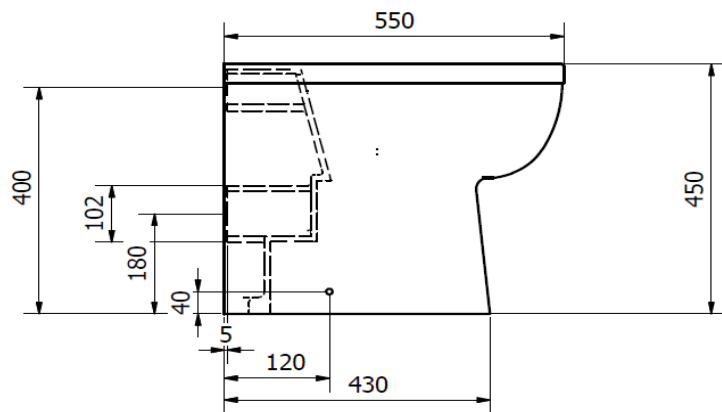
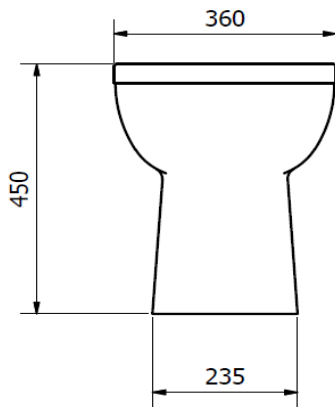


NOTES:

VITREOUS CHINA

WATER SAVING 6/4 LITRE FLUSH

SOFT CLOSE SEAT WITH QUICK RELEASE TOP FIX HINGE



BOX SIZES :- WC PAN = 380 X 470 X 570 mm