

### KAREENA CLOSE TO WALL PAN, CISTERN & SEAT

ILLUSTRATION: KAREENA CLOSE TO WALL C/  
C PAN & CISTERN

CODE: C/C WC PAN - POT400SI

C/C CISTERN - POT401SI

SOFT CLOSE SEAT - POT402SI

COLOUR: WHITE



WEIGHT: WC PAN CISTERN SEAT

NET: 35.00 KG 14 KG 1.4 KG

GROSS: 36.5 KG 15 KG 1.6 KG

STANDARDS: BS EN 997 WCs

BS EN 14055:2010 FLUSHING CISTERNS

BS 3402

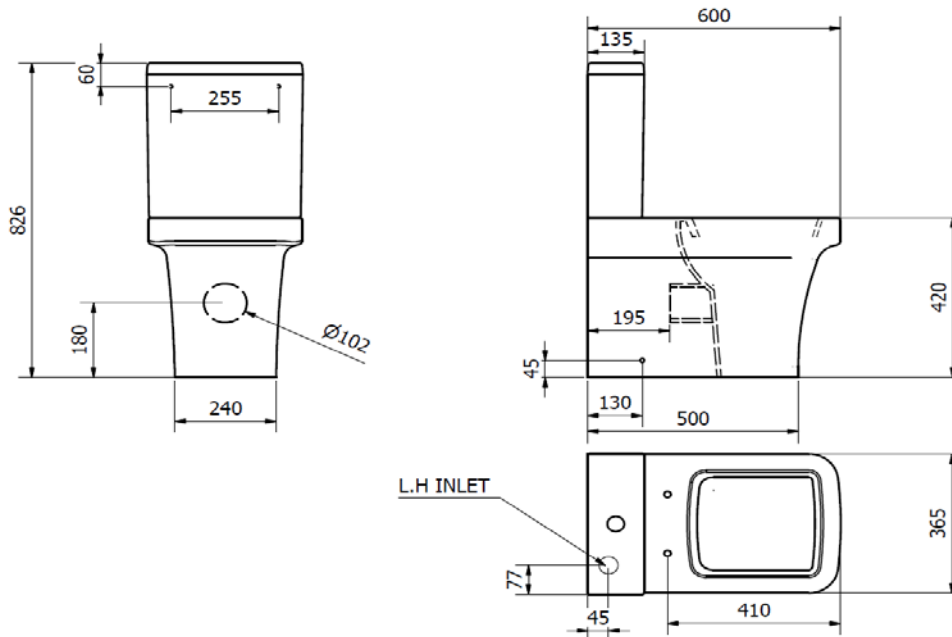
CE	CE
15 EN 997:2012 WC Made of Ceramic	15 EN 14055:2006 Cistern Made of Ceramic

NOTES:

VITREOUS CHINA

WATER SAVING 6/4 LITRE FLUSH

SOFT CLOSE SEAT WITH QUICK RELEASE TOP FIX HINGE



BOX SIZES :- WC PAN = 400 X 450 X 600 mm / CISTERN = 160 X 400 X 450 mm